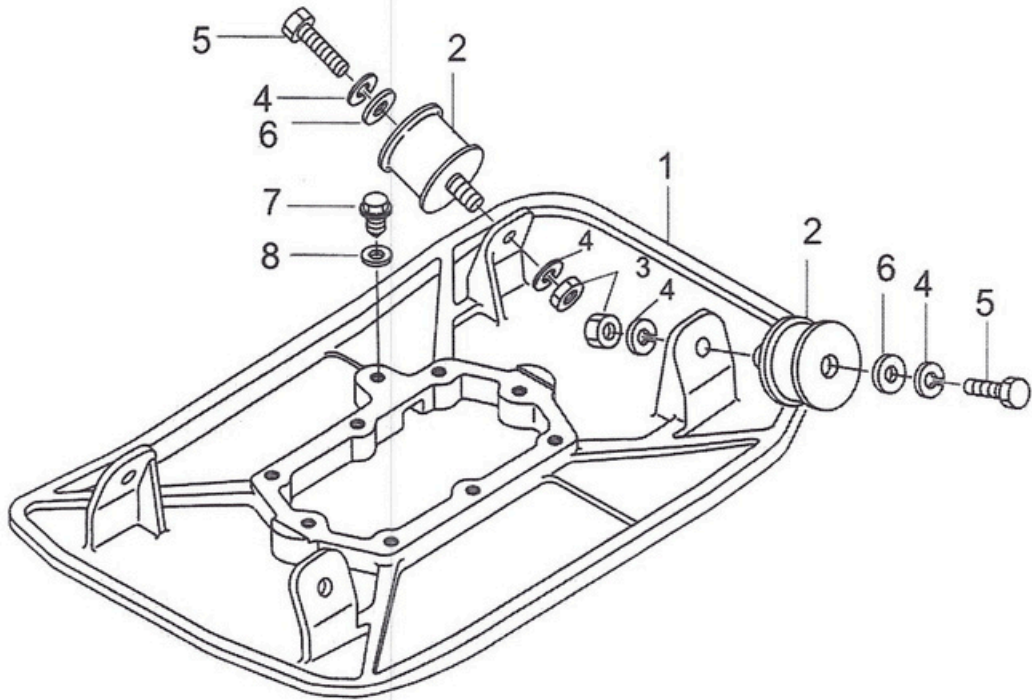
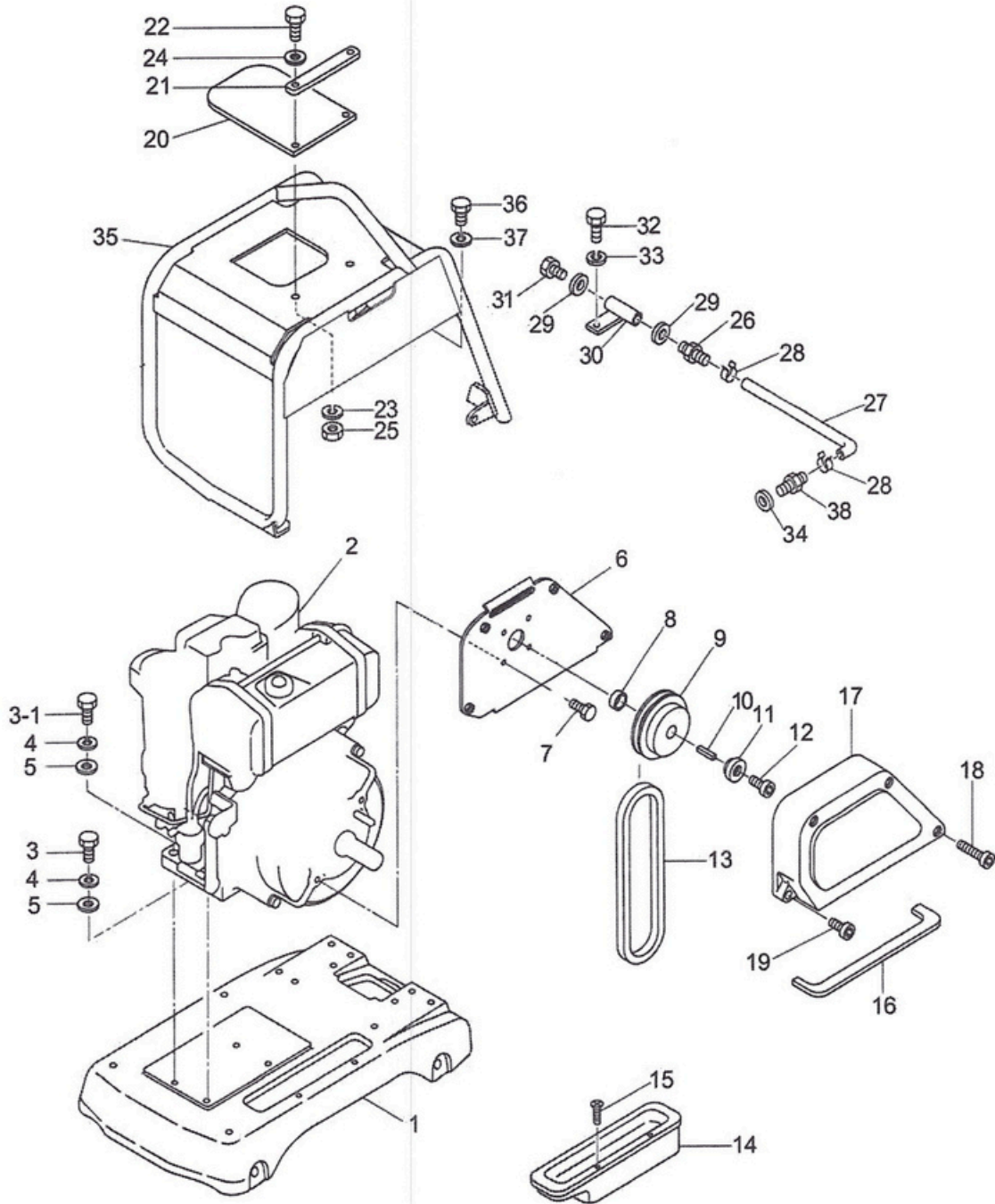


VIBRATING PLATE



ITEM NO.	PART NO.	DESCRIPTION	QTY.	REMARKS
1	CPC-160-1A	VIBRATING PLATE	1	
2	CPC-160-2A	SHOCK ABSORBER	4	
3	CPC-160-3A	NUT M12	4	
4	CPC-160-4A	SW M12	8	
5	CPC-160-5A	BOLT M12x30T	4	
6	CPC-160-6A	WASHER	4	
7	CPC-160-7A	OIL GAUGE	1	
8	CPC-160-8A	PACKING	1	

BODY



18

BODY

ITEM NO.	PART NO.	DESCRIPTION	QTY.	REMARKS
1	CPC-160-1B	BASE	1	
2	CPC-160-2B	ENGINE	1	
3	CPC-160-3B	BOLT M10x40T	3	
3-1	CPC-160-3-1B	BOLT M10x35T	1	
4	CPC-160-4B	SW M10	4	
5	CPC-160-5B	PW M10	4	
6	CPC-160-6B	BELT COVER PLATE	1	
7	CPC-160-7B	BOLT M8x20T	4	
8	CPC-160-8B	SPACER	1	
9	CPC-160-9B	CLUTCH ASSEMBLY	1	
10	CPC-160-10B	KEY 5x5x30	1	
11	CPC-160-11B	CLUTCH WASHER	1	
12	CPC-160-12B	SOCKET HEAD BOLT M8x25T	1	
13	651057	V-BELT, AV13x890	1	S/N 702139 + LOWER
13	651143	V-BOLT, AV13X867		S/N 702140 + HIGHER
14	CPC-160-14B	DUST COVER	1	
15	CPC-160-15B	FLAT HEAD SCREW M6x60T	2	
16	CPC-160-16B	SPONGE, DUST COVER	1	
17	CPC-160-17B	BELT COVER OUT	1	
18	CPC-160-18B	SOCKET HEAD BOLT M8x60T	3	
19	CPC-160-19B	SOCKET HEAD BOLT M8x20T	1	
20	CPC-160-20B	RUBBER COVER	1	
21	CPC-160-21B	PLATE, RUBBER COVER	1	
22	CPC-160-22B	BOLT M8x25T	2	
23	CPC-160-23B	SW M8	2	
24	CPC-160-24B	PW M8	2	
25	CPC-160-25B	NYLON NUT M8	2	
26	CPC-160-26B	UNION	1	
27	CPC-160-27B	DRAIN HOSE	1	
28	CPC-160-28B	HOSE CLAMP	2	
29	CPC-160-29B	GASKET	2	
30	CPC-160-30B	PLUG	1	
31	CPC-160-31B	JOINT BLOCK	1	
32	CPC-160-32B	BOLT M8x20T	1	

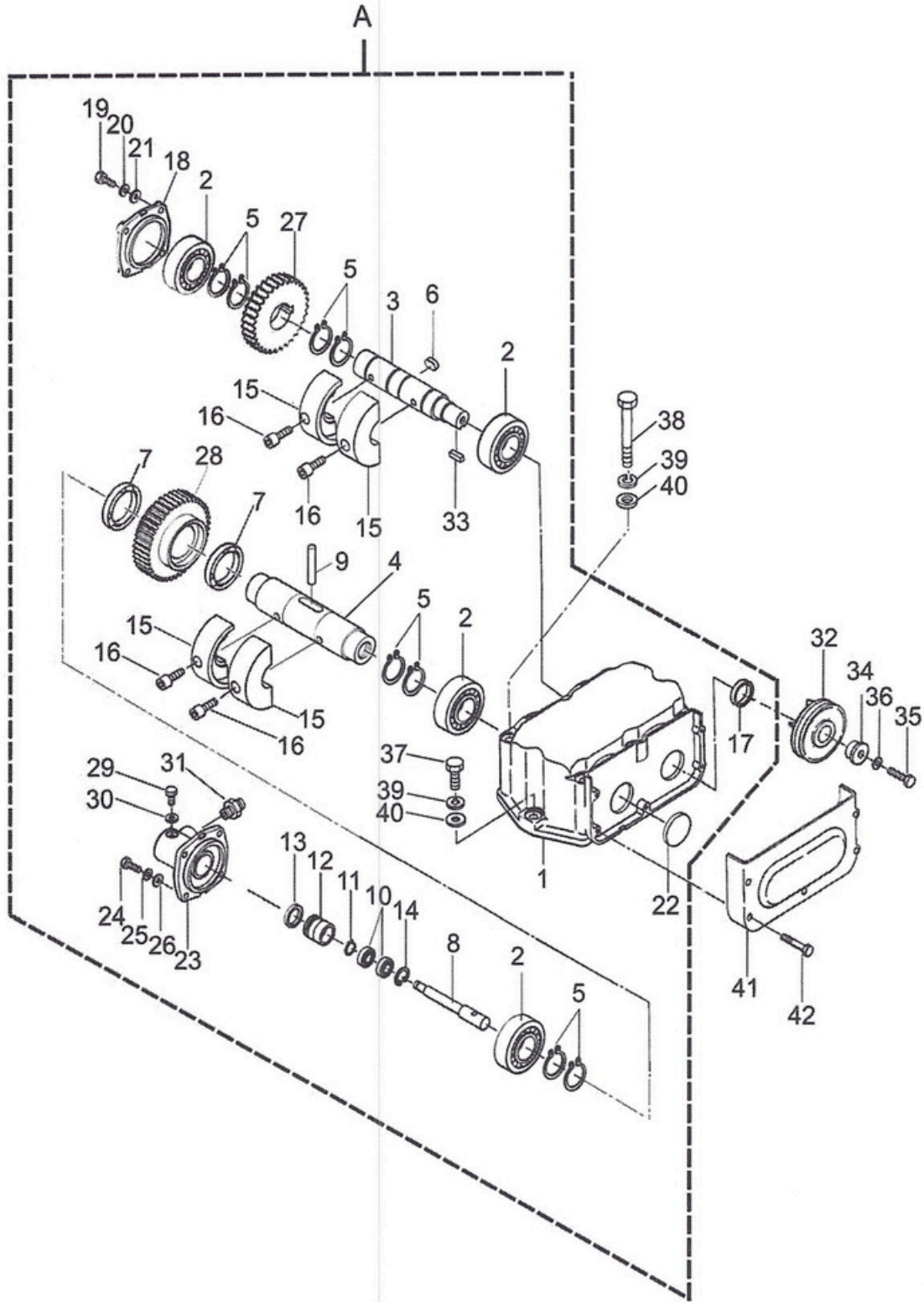


DALY INDUSTRIAL
SUPPLY CO. LTD.

BODY (cont'd)

ITEM NO.	PART NO.	DESCRIPTION	QTY.	REMARKS
33	CPC-160-33B	SW M8	1	
34	CPC-160-34B	SEAL WASHER	1	
35	CPC-160-35B	GUARD FRAME	1	
36	CPC-160-36B	BOLT M10x25T	4	
37	CPC-160-37B	SW M10	4	

VIBRATOR



22



DALY INDUSTRIAL
SUPPLY CO. LTD.

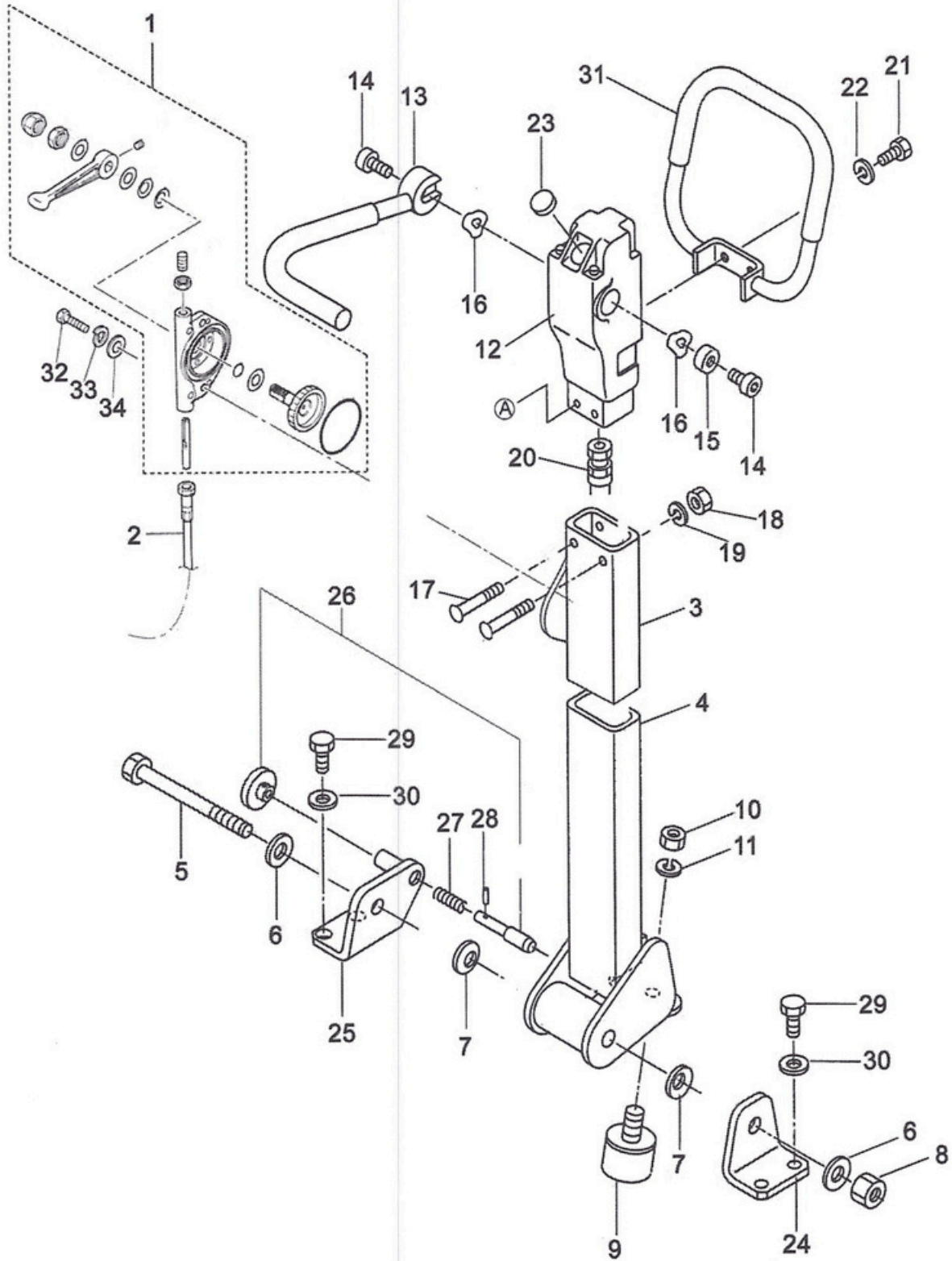
VIBRATOR

ITEM NO.	PART NO.	DESCRIPTION	QTY.	REMARKS
C	CPC-160-C	VIBRATOR ASSEMBLY	1	
1	CPC-160-1C	VIBRATING CASE	1	
2	CPC-160-2C	ROLLER BEARING	4	
3	CPC-160-3C	ROTARY SHAFT, DRIVE	1	
4	CPC-160-4C	ROTARY SHAFT, DRIVEN	1	
5	CPC-160-5C	STOP RING S-35	8	
6	CPC-160-6C	KEY 10x8x19	1	
7	CPC-160-7C	BEARING 6907	2	
8	CPC-160-8C	PISTON ROD	1	
9	CPC-160-9C	PIN 8x50	1	
10	CPC-160-10C	BEARING 6000ZZ	2	
11	CPC-160-11C	STOP RING S-10	1	
12	CPC-160-12C	PISTON, 22.4ID	1	
13	CPC-160-13C	PACKING	1	
14	CPC-160-14C	STOP RING R-26	1	
15	CPC-160-15C	ECCENTRIC ROTATOR	4	
16	CPC-160-16C	SOCKET HEAD BOLT M10x30T	4	
17	CPC-160-17C	OIL SEAL SC-28458	1	
18	CPC-160-18C	BEARING COVER	1	
19	CPC-160-19C	BOLT M8x20T	4	
20	CPC-160-20C	SW M8	4	
21	CPC-160-21C	PW M8	4	
22	CPC-160-22C	SEAL CAP	1	
23	CPC-160-23C	CYLINDER	1	
24	CPC-160-24C	BOLT M8x20T	4	
25	CPC-160-25C	SW M8	4	
26	CPC-160-26C	PW M8	4	
27	CPC-160-27C	GEAR (DRIVE)	1	
28	CPC-160-28C	GEAR (DRIVEN)	1	
29	CPC-160-29C	BOLT M8x12T	1	
30	CPC-160-30C	COPPER PACKING 8x16x2	1	
31	CPC-160-31C	CONNECTOR	1	
32	CPC-160-32C	PULLEY	1	
33	CPC-160-33C	KEY 7x7x20	1	

VIBRATOR (cont'd)

ITEM NO.	PART NO.	DESCRIPTION	QTY.	REMARKS
34	CPC-160-34C	WASHER	1	
35	CPC-160-35C	BOLT M8x35	1	
36	CPC-160-36C	SW M8	1	
37	CPC-160-37C	BOLT M12x35T	2	
38	CPC-160-38C	BOLT M12x120T	6	
39	CPC-160-39C	SW M12	8	
40	CPC-160-40C	PW M12	8	
41	CPC-160-41C	BELT COVER (LOWER)	1	
42	CPC-160-42C	SOCKET HEAD BOLT M6x45T	5	

CONTROL



26

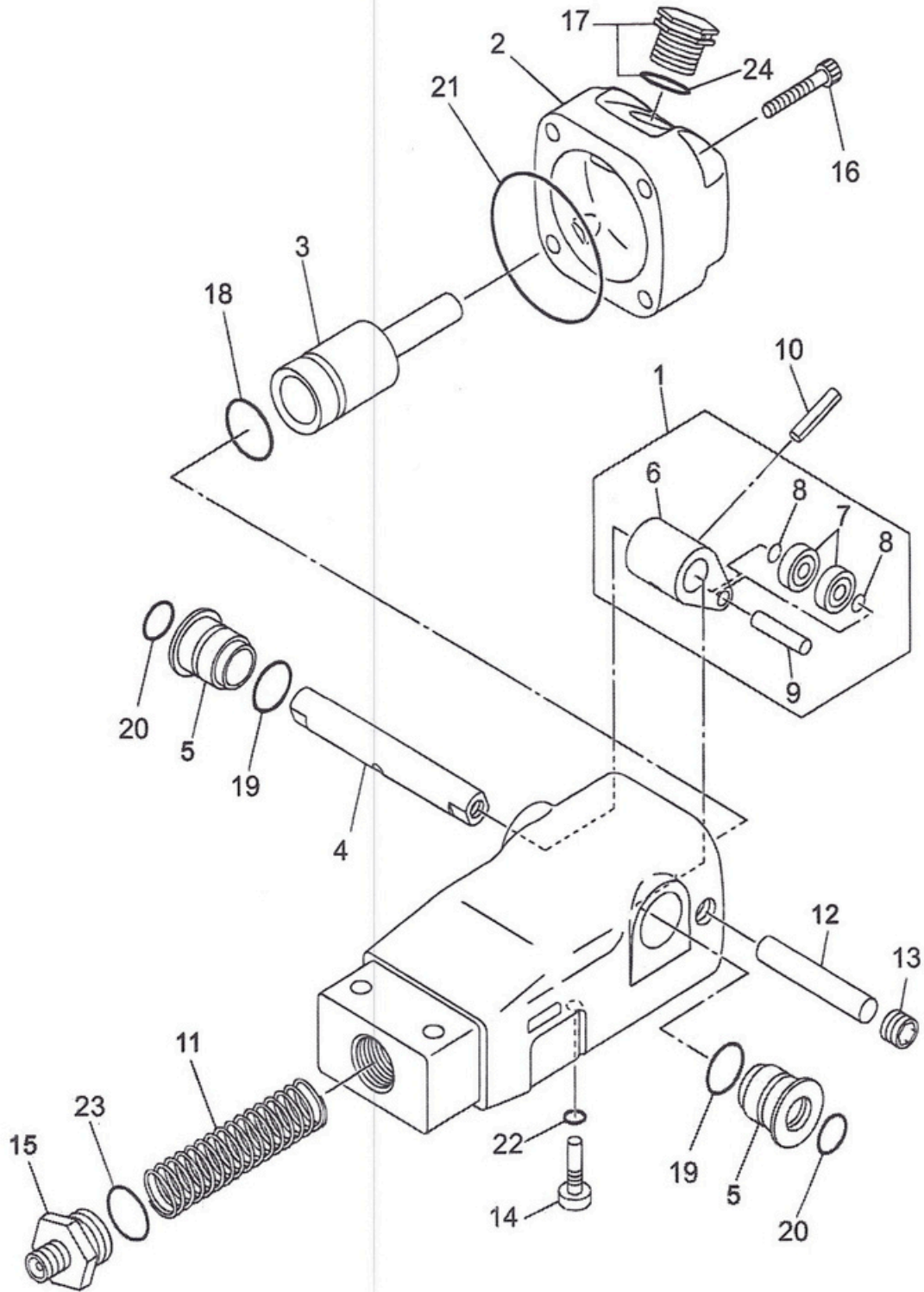


DALY INDUSTRIAL
SUPPLY CO. LTD.

CONTROL

ITEM NO.	PART NO.	DESCRIPTION	QTY.	REMARKS
1	CPC-160-1D	THROTTLE LEVER ASSEMBLY	1	
2	CPC-160-2D	THROTTLE WIRE	1	
3	CPC-160-3D	HANDLE UPPER AY	1	
4	CPC-160-4D	HANDLE LOWER AY	1	
5	CPC-160-5D	BOLT M16x145T	1	
6	CPC-160-6D	PW M16	2	
7	CPC-160-7D	SHOCK ABSORBER, STOPPER	2	
8	CPC-160-8D	NUT M16	2	
9	CPC-160-9D	SHOCK ABSORBER, STOPPER	1	
10	CPC-160-10D	NUT M10	1	
11	CPC-160-11D	SW M10	1	
12	CPC-160-12D	HAND PUMP ASSEMBLY	1	
13	CPC-160-13D	TRAVEL LEVER	1	
14	CPC-160-14D	SOCKET HEAD BOLT M10x20T	2	
15	CPC-160-15D	COLLAR	1	
16	CPC-160-16D	WAVE WASHER 15.5x20x0.3	4	
17	CPC-160-17D	PUMP HOLDER M8x50T	2	
18	CPC-160-18D	NYLON NUT M8	2	
19	CPC-160-19D	SW M8	2	
20	CPC-160-20D	OIL HOSE	1	
21	CPC-160-21D	BOLT M8x20T	2	
22	CPC-160-22D	SW M8	2	
23	CPC-160-23D	BREATHER CAP	1	
24	CPC-160-24D	HANDLE BRACKET (L)	1	
25	CPC-160-25D	HANDLE BRACKET (R)	1	
26	CPC-160-26D	STOPPER	1	
27	CPC-160-27D	SPRING	1	
28	CPC-160-28D	SPRING PIN 2x16	1	
29	CPC-160-29D	BOLT M10x30T	4	
30	CPC-160-30D	SW M10	4	
31	CPC-160-31D	HANDLE GRIP	1	
32	CPC-160-32D	BOLT M6x25T	2	
33	CPC-160-33D	SW M6	2	
34	CPC-160-34D	PW M6	2	

HAND PUMP ASSEMBLY



28

HAND PUMP ASSEMBLY

ITEM NO.	PART NO.	DESCRIPTION	QTY.	REMARKS
1	CPC-160-1E	CAN COMP (PUMP)	1	
2	CPC-160-2E	COVER (HAND PUMP)	1	
3	CPC-160-3E	PISTON CP	1	
4	CPC-160-4E	CONTROL SHAFT (PUMP)	1	
5	CPC-160-5E	BUSH	2	
6	CPC-160-6E	CAN (PUMP)	1	
7	CPC-160-7E	BEARING 607ZZ	2	
8	CPC-160-8E	SPACER	2	
9	CPC-160-9E	PIN 7x30	1	
10	CPC-160-10E	SPRING PIN	1	
11	CPC-160-11E	SPRING (PUMP)	1	
12	CPC-160-12E	STOPPER (PUMP)	1	
13	CPC-160-13E	PLUG	1	
14	CPC-160-14E	STOP PLUG	1	
15	CPC-160-15E	HOSE JOINT	1	
16	CPC-160-16E	SOCKET HEAD BOLT M6x35T	4	
17	CPC-160-17E	BREATHER (PUMP)	1	
18	CPC-160-18E	O-RING G-25	1	
19	CPC-160-19E	O-RING P-20	2	
20	CPC-160-20E	O-RING P-15	2	
21	CPC-160-21E	O-RING S-67	1	
22	CPC-160-22E	O-RING S-8	1	
23	CPC-160-23E	O-RING S-22	1	
24	CPC-160-24E	O-RING P-18	1	

