

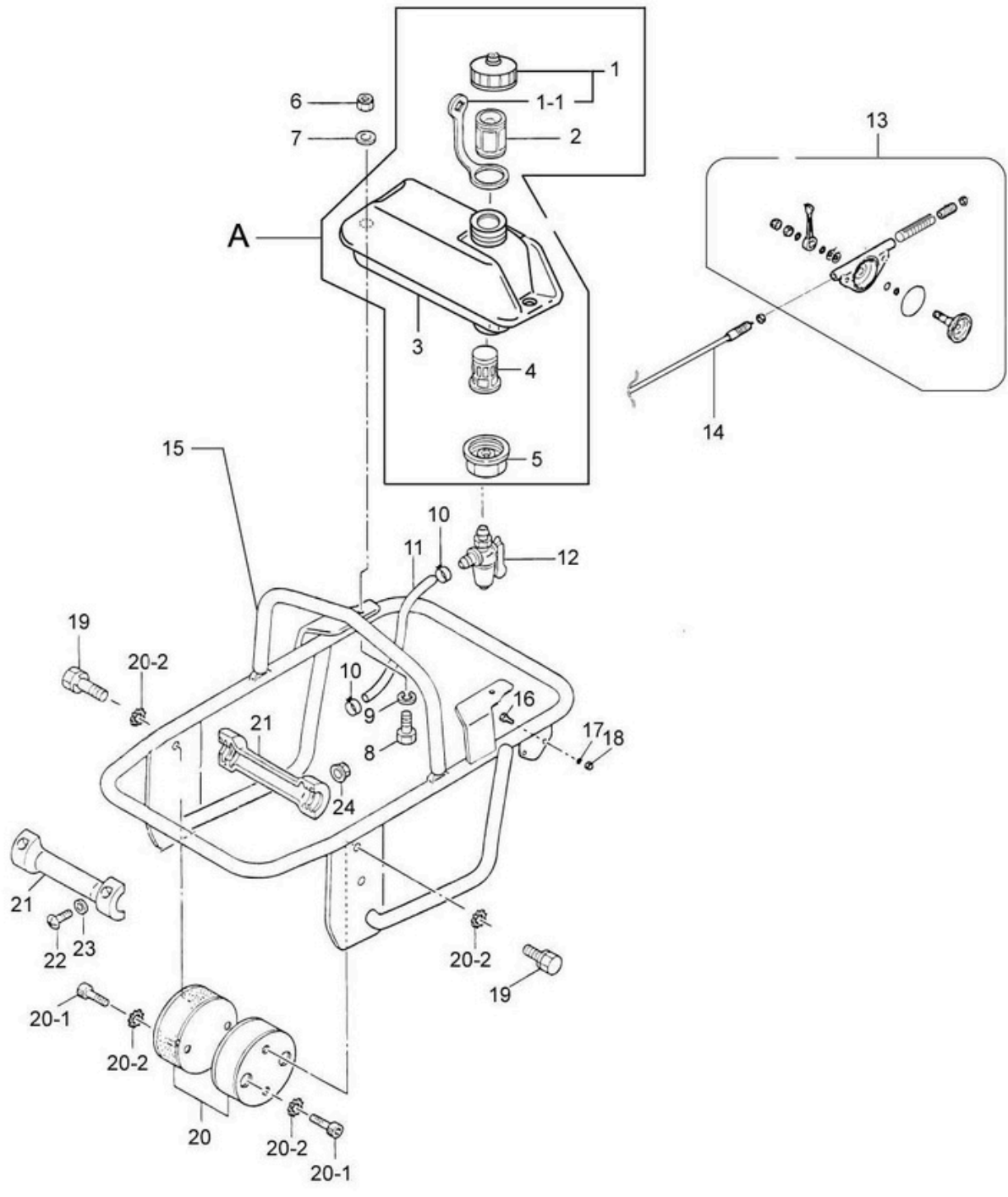
TANK AND HANDLE

S/NO	PART NO	DESCRIPTION	QTY	REMARK
A	CT-66P-A	FUEL TANK ASSEMBLY	1	
1	CT-66P-01A	TANK CAP AY	1	
1-1	CT-66P-01-1A	STRAP, OIL TANK	1	
2	CT-66P-02A	FILTER, TANK	1	
3	CT-66P-03A	FUEL TANK	1	
4	CT-66P-04A	STRAINER	1	
5	CT-66P-05A	HOLDER, COCK	1	
6	CT-66P-06A	NYLON NUT M8	2	
7	CT-66P-07A	WASHER 8.5X22X3	2	
8	CT-66P-08A	BOLT M8X30T	2	
9	CT-66P-09A	SW M8	2	
10	CT-66P-10A	HOSE BAND	2	
11	CT-66P-11A	FUEL HOSE	1	
12	CT-66P-12A	FUEL COCK AY	1	
13	CT-66P-13A	THROTTLE LEVER AY	1	
14	CT-66P-14A	THROTTLE WIRE	1	
15	CT-66P-15A	HANDLE	1	
16	CT-66P-16A	BOLT M6X20T	2	
17	CT-66P-17A	SW M6	2	
18	CT-66P-18A	CAP NUT M6	2	
19	CT-66P-19A	BOLT M10X20	4	
20	CT-66P-20A	SHOCK ABSORBER	2	
20-1	CT-66P-20-1A	SOCKET HEAD BOLT M10X20T	4	
20-2	CT-66P-20-2A	SW M10	8	
21	CT-66P-21A	ROLLER	2	
22	CT-66P-22A	SCREW M5X25	4	
23	CT-66P-23A	WASHER M5	4	
24	CT-66P-24A	FLANGE NUT M5	4	



DALY INDUSTRIAL
SUPPLY CO. LTD.

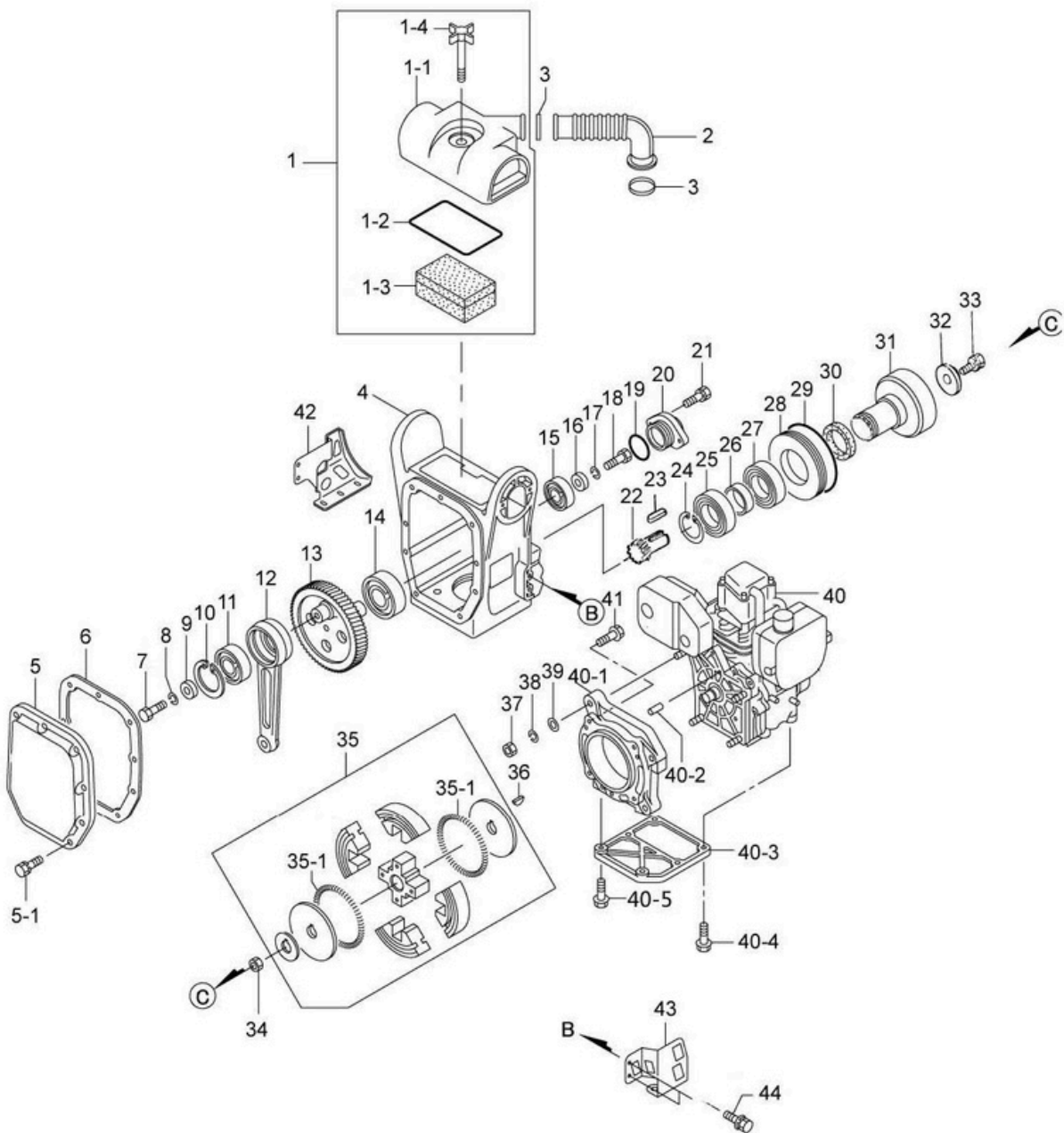
(021) 4390003
spareparts@disc.ie



CRANK CASE ASSY

S/NO	PART NO	DESCRIPTION	QTY	REMARK
1	CT-66P-01B	AIR CLEANER AY	1	
1-1	CT-66P-01-1B	COVER CP, AIR CLEANER	1	
1-2	CT-66P-01-2B	PACKING, AIR CLEANER	1	
1-3	CT-66P-01-3B	ELEMENT CP, AIR CLEANER	1	
1-4	CT-66P-01-4B	GRIP BOLT CP, AIR CLEANER	1	
2	CT-66P-02B	INTAKE PIPE	1	
3	CT-66P-03B	CLAMP	2	
4	CT-66P-04B	CRANK CASE	1	
5	CT-66P-05B	FRONT COVER	1	
5-1	CT-66P-05-1B	BOLT M6X20T	9	
6	CT-66P-06B	PACKING, FRONT COVER	1	
7	CT-66P-07B	BOLT M8X25T	1	
8	CT-66P-08B	SW M8	1	
9	CT-66P-09B	WASHER 9X30X4	1	
10	CT-66P-10B	STOP RING R-52	1	
11	CT-66P-11B	BEARING 6304	1	
12	CT-66P-12B	CONNECTING ROD	1	
13	CT-66P-13B	CRANK GEAR	1	
14	CT-66P-14B	BEARING 6305	1	
15	CT-66P-15B	BEARING 6203	1	
16	CT-66P-16B	WASHER 8.5X22X3	1	
17	CT-66P-17B	SW M8	1	
18	CT-66P-18B	BOLT M8X25T	1	
19	CT-66P-19B	O-RING G-35	1	
20	CT-66P-20B	BEARING COVER	1	
21	CT-66P-21B	BOLT M6X20T	2	
22	CT-66P-22B	PINION	1	
23	CT-66P-23B	KEY 5X5X19R	1	
24	CT-66P-24B	STOP RING S-35	1	
25	CT-66P-25B	BEARING 6007	1	
26	CT-66P-26B	SPACER 35.4-42.7-10	1	
27	CT-66P-27B	BEARING 6007Z	1	
28	CT-66P-28B	SPACER, CLUTCH DRUM	1	
29	CT-66P-29B	O-RING S-90	1	
30	CT-66P-30B	OIL SEAL TC-40528	1	
31	CT-66P-31B	CLUTCH DRUM	1	
32	CT-66P-32B	LOCK WASHER	1	
33	CT-66P-33B	BOLT M8X20T	1	
34	CT-66P-34B	LOCK NUT	1	
35	CT-66P-35B	CLUTCH AY	1	
35-1	CT-66P-35-1B	CLUTCH SPRING	2	
36	CT-66P-36B	WOODRUFF KEY	1	
37	CT-66P-37B	NUT M8	4	
38	CT-66P-38B	SW M8	4	
39	CT-66P-39B	WASHER M8	4	

40	CT-66P-40B	ENGINE	1	
40-1	CT-66P-40-1B	ADAPTER, FLANGE	1	
40-2	CT-66P-40-2B	DOWEL PIN	2	
40-3	CT-66P-40-3B	STIFFENER	1	
40-4	CT-66P-40-4B	BOLT M8X25T	2	
40-5	CT-66P-40-5B	BOLT M8X20T	4	
41	CT-66P-41B	BOLT M8X30T	4	
42	CT-66P-42B	OIL GAUGE PROTECTOR	1	
43	CT-66P-43B	LINK PROTECTOR	1	
44	CT-66P-44B	BOLT M8X20T	4	



CYLINDER AND FOOT ASSEMBLY

S/NO	PART NO	DESCRIPTION	QTY	REMARK
1	CT-66P-01C	PISTON ROD	1	
2	CT-66P-02C	PLUG	2	
3	CT-66P-03C	PISTON PIN	1	
4	CT-66P-04C	STOPPER, UPPER	1	
5	CT-66P-05C	SPRING CYLINDER	1	
6	CT-66P-06C	O-RING G-75	1	
7	CT-66P-07C	STOPPER, LOWER	1	
8	CT-66P-08C	MAIN SPRING	2	
9	CT-66P-09C	PISTON END	1	
10	CT-66P-10C	NUT M16	1	
11	CT-66P-11C	FOOT PLATE	1	
12	CT-66P-12C	SOCKET HEAD BOLT M10X35T	4	
13	CT-66P-13C	SOCKET HEAD BOLT M10X25T	4	
14	CT-66P-14C	PACKING M10 (AL)	1	
15	CT-66P-15C	PLUG M10X1.0X10	1	
16	CT-66P-16C	PROTECTION SLEEVE	1	
16-1	CT-66P-16-1C	O-RING JAS02085	1	
16-2	CT-66P-16-2C	PACKING M20	1	
16-3	CT-66P-16-3C	OIL LEVEL GAUGE G1/2	1	
16-4	CT-66P-16-4C	PACKING M16	1	
16-5	CT-66P-16-5C	PLUG M16X1.5X10	1	
17	CT-66P-17C	FOOT AY	1	
18	CT-66P-18C	GRIP HANDLEBAR	1	
19	CT-66P-19C	NYLON NUT M12	4	
20	CT-66P-20C	SW M12	4	
21	CT-66P-21C	SUNK HEAD BOLT M12X65T	2	
22	CT-66P-22C	SUNK HEAD BOLT M12X70T	2	
23	CT-66P-23C	O-RING G-95	2	
24	CT-66P-24C	BELLOW CLAMP	2	
25	CT-66P-25C	BELLOW	1	
26	CT-66P-26C	GUIDE CYLINDER	1	
27	CT-66P-27C	O-RING G-80	1	
28	CT-66P-28C	BOLT M10X40	4	
29	CT-66P-29C	SW M10	4	

CYLINDER AND FOOT ASSEMBLY

