

Original Instruction

# FORWARD PLATE COMPACTOR

## CPC-E60

### SPARE PARTS LIST

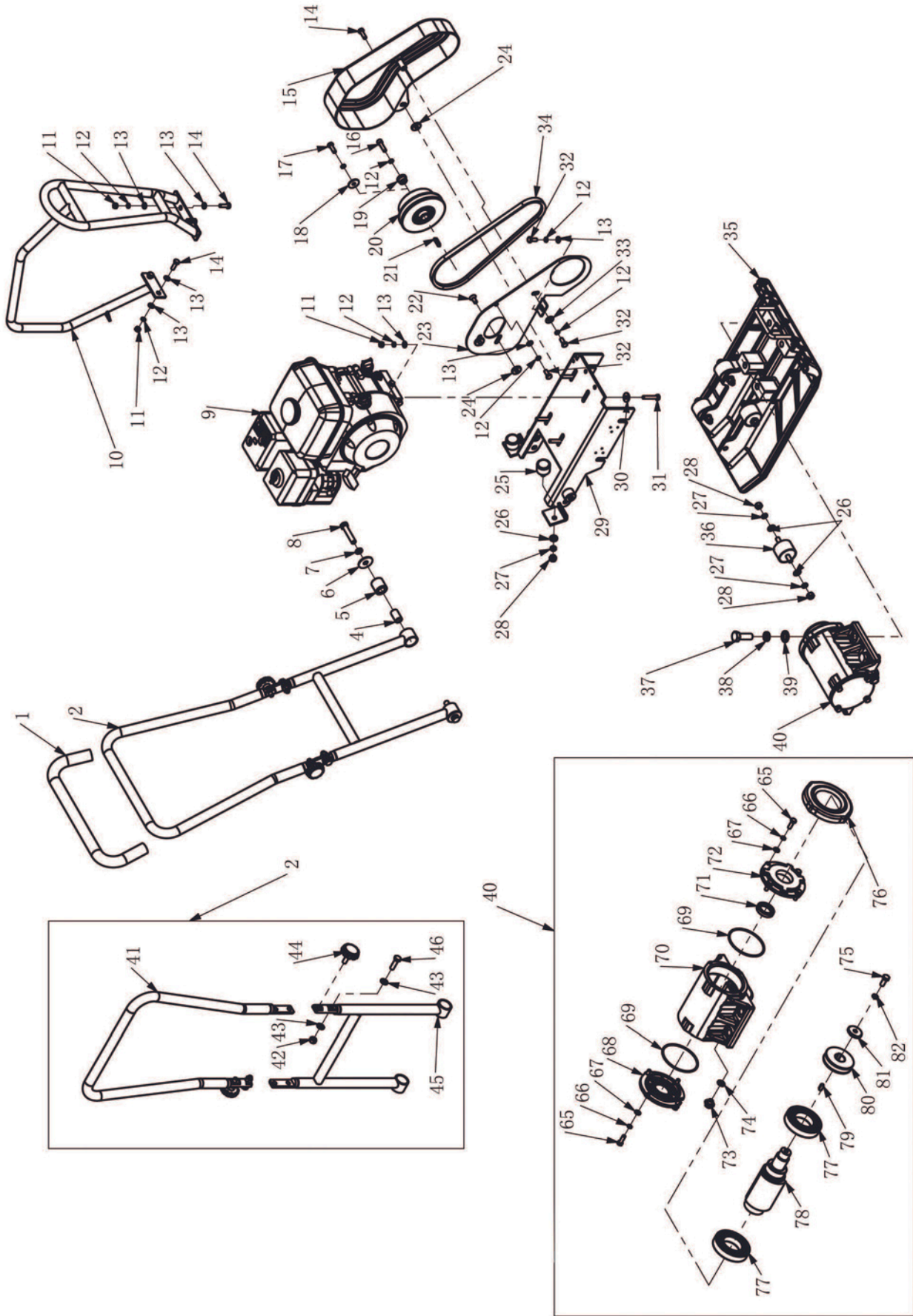
20022020



**DALY INDUSTRIAL**  
SUPPLY CO. LTD.

**(021) 4390003**  
**spareparts@disc.ie**

# SPARE PARTS LIST

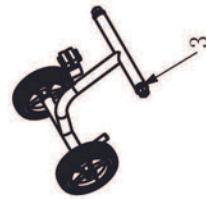
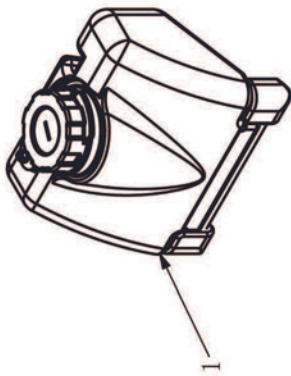
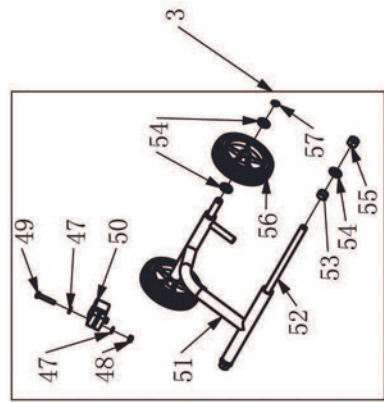
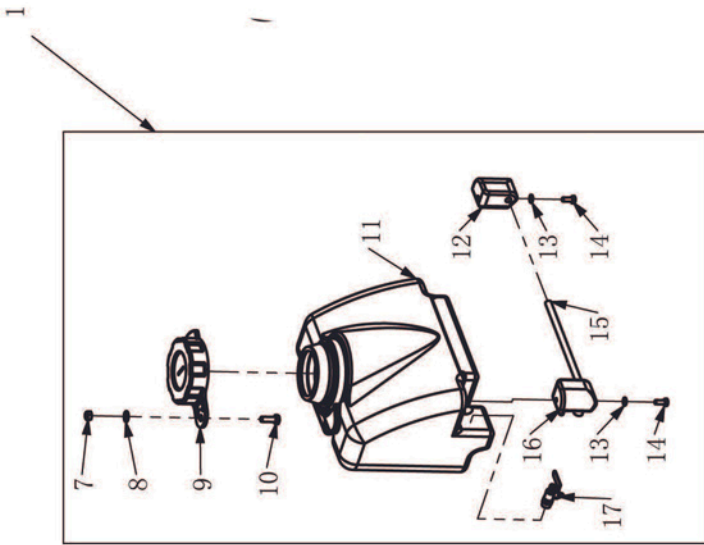


## MAIN

No.	Description	Drawing No.	Qty
1	Handle Grip	2202-00020-4	1
2	Handle Assy.	2202-02000-1	1
4	Bushing	2202-00001-1	2
5	Rubber Bushing	2202-00003-4	2
6	Washer M12	11124003	2
7	Spring Washer M12	12120000	2
8	Bolt M12	15120601	2
9	Engine	25160001	1
10	Frame	2202-10000-1	1
11	Nut M8	13080000	8
12	Washer M8	12080000	13
13	Washer M8	11080000	14
14	Bolt M8	15080250	5
15	Belt Cover	2202-05000-4	1
16	Allen Screw M8	16083015	1
17	Bolt 5/16	15080300Y	1
18	Washer M8	11083003	1
19	Washer	2302-00017-4	1
20	Clutch Assy.	2302-10000-1	1
21	Key	12050530A	1
22	Allen Screw M8	16082004	2
23	Belt Cover Plate	2202-00009-2	1
24	Washer M8	11082604	3
25	Shock Absorber	2202-00004-4	2
26	Washer M10	11100000	11
27	Spring Washer M10	12100000	11
28	Lock Nut M10	13100001	11
29	Engine Base	2202-07000-3	1
30	Washer M8	11082403	4
31	Bolt M8	15080450	4
32	Bolt M8	15080200	3
33	Washer M8	11082202	2
34	Belt	27AV13X836La	1
35	Viberating Plate	2202-00005-4	1
36	Shock Absorber	2202-00002-4	4
37	Bolt M16	15160450	4
38	Spring Washer M16	12160000	4
39	Washer M16	11160000	4
40	Viberating Case Assy.	2202-20000-1	1
41	Handle Upper	2202-02200-3	1
42	Lock Nut M10	13100001	2
43	Washer M10	11100000	4
44	Wing Bolt	28100201	2
45	Handle Lower	2202-02100-3	1
46	Bolt M10	15100350	2

## MAIN

No.	Description	Drawing No.	Qty
65	Bolt M8	15080250	8
66	Washer M8	12080000	8
67	Washer M8	11080000	8
68	Right Cover	2202-20006-1	1
69	O-Ring	261053.1	2
70	Viberating Case	2202-20002-1	1
71	Oil Sealing	2535481002	1
72	Left Cover	2202-20005-1	1
73	Plug	70000019	1
74	Sealing	14120002	1
75	Bolt M10	15100250	1
76	Dust Cover	2202-20004-4	1
77	Bearing	216211C3P6	2
78	Rotator	2202-20001-1	1
79	Key	20080719A	1
80	Pulley	2202-20003-1	1
81	Washer M10	11104005	1
82	Spring Washer M10	12100000	1



## OPTIONAL

No.	Description	Drawing No.	Qty
1	Water Tank Assy.	2204-31000-4	1
3	Wheel Kits	2202-04000-1	1
7	Lock Nut M10		1
8	Washer M10		2
9	Cap, Water Tank	2204-30005-4	1
10	Bolt M10		1
11	Water Tank	2204-31001-4	1
12	Rubber Pipe Holder	2204-30010-4	1
13	Washer M8		2
14	Bolt M8		2
15	Pipe	2204-30009-4	1
16	Rubber Pipe Connector	2204-30008-4	1
17	Switch	2204-30011-4	1
47	Washer M6	11060000	4
48	Lock Nut M6	13060001	2
49	Bolt M6	15060350	2
50	Clip	2302-23003-4	1
51	Bracket, Wheel Kits	2202-04100-3	1
52	Shaft	2202-04001-1	1
53	Spacer	2202-04002-4	2
54	Washer M12	11120000	6
55	Lock Nut M12	13120001	2
56	Wheel	24125302	2
57	Circlip	18120001	2