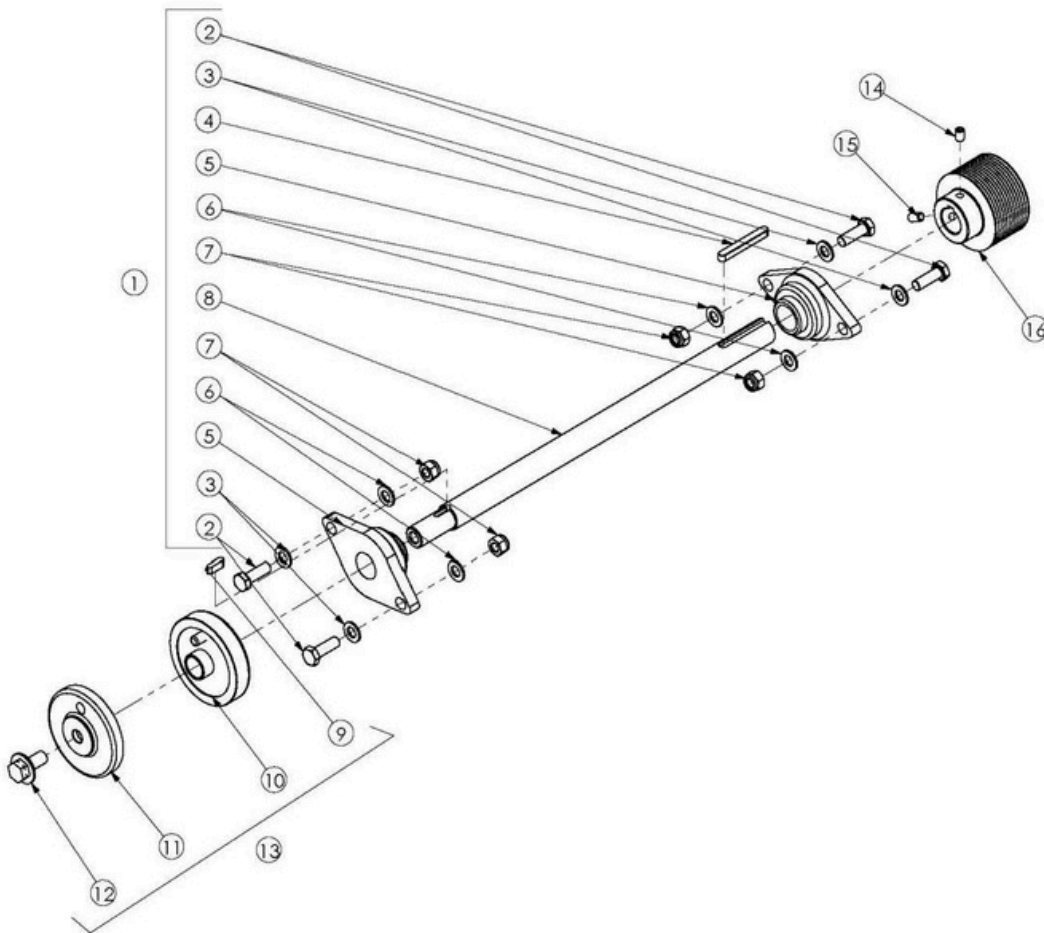


BLADE ARM

S/NO	PART NO	DESCRIPTION	QTY	REMARK
1	CFC-18-01A	BLADE SHAFT	1	
2	CFC-18-02A	BOLT M10X35	4	
3	CFC-18-03A	WASHER M10	4	
4	CFC-18-04A	KEY 8X7X60	1	
5	CFC-18-05A	BEARING UCFL205	2	
6	CFC-18-06A	WASHER 10X25X3	4	
7	CFC-18-07A	LOCKED NUT M10	4	
8	CFC-18-08A	BLADE SHAFT	1	
9	CFC-18-09A	KEY 5X5X20	1	
10	CFC-18-10A	FLANGE	1	
11	CFC-18-11A	PLAIN FLANGE	1	
12	CFC-18-12A	SCREW	1	
13	CFC-18-13A	FLANGE	1	
14	CFC-18-14A	SCREW M8X10	1	
15	CFC-18-15A	SCREW M8X12	1	
16	CFC-18-16A	BLADESHAFT PULLEY	1	



DALY INDUSTRIAL
SUPPLY CO. LTD.

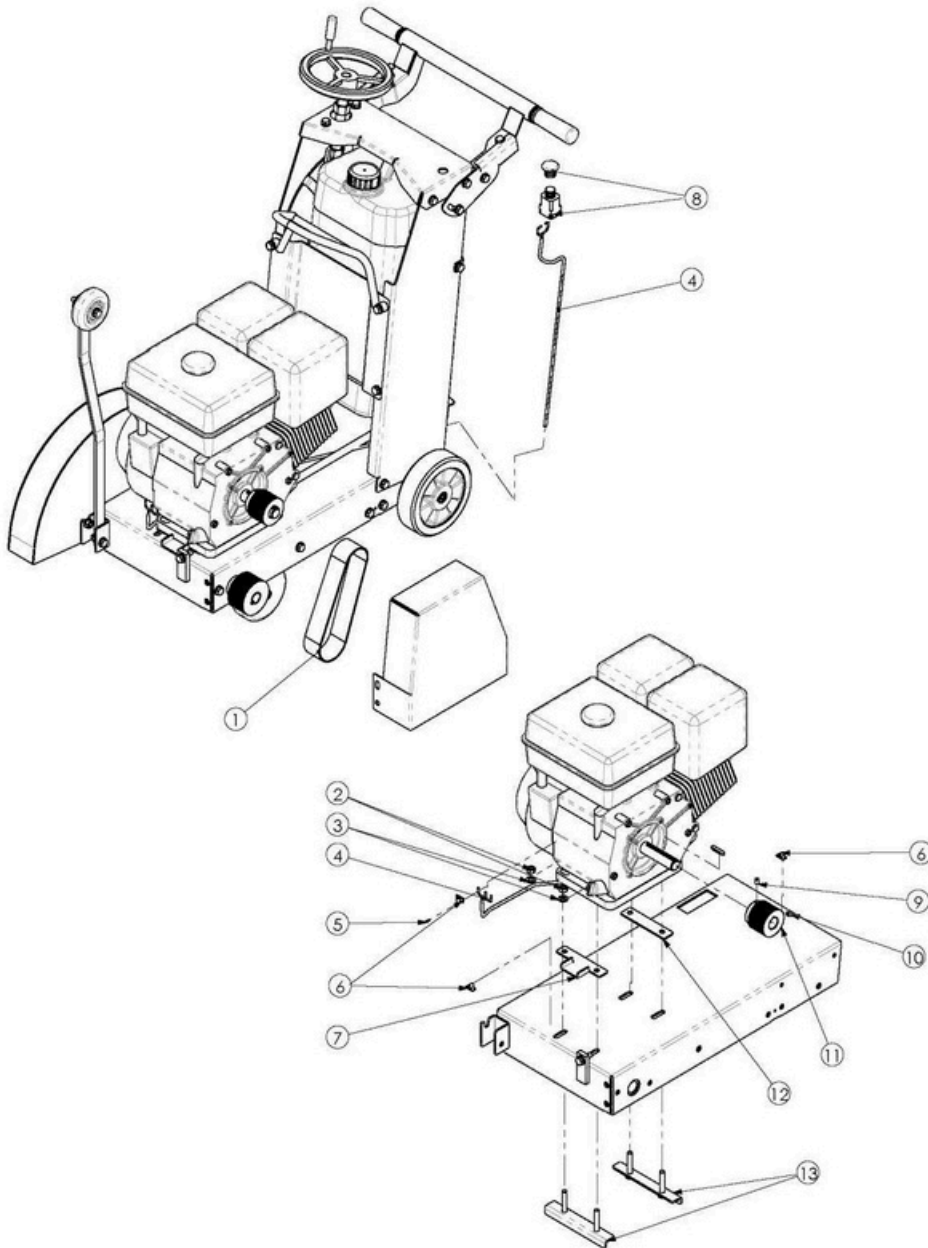
(021) 4390003
spareparts@disc.ie

BLADE GUARD GUIDE

S/NO	PART NO	DESCRIPTION	QTY	REMARK
1	CFC-18-01B	BLADE GUIDE KIT	1	
2	CFC-18-02B	RACCORD PARIDE LAITON	1	
3	CFC-18-03B	ADAPT RAPIDE MALE	1	
4	CFC-18-04B	ROBINET MINU-LUX	1	
5	CFC-18-05B	COLLET BOMILE POUR TUBE	1	
6	CFC-18-06B	WATER PIPE	1	
7	CFC-18-07B	BOLT M8X20	2	
8	CFC-18-08B	WASHER M8	4	
9	CFC-18-09B	RUBBER DEFLECTOR	1	
10	CFC-18-10B	WASHER M10	2	
11	CFC-18-11B	BOLT M10X120	1	
12	CFC-18-12B	BLADE GUARD	1	
13	CFC-18-13B	LOCKED NUT M8	2	
14	CFC-18-14B	KIT	1	
15	CFC-18-15B	LOCKED NUT M10	4	
16	CFC-18-16B	RONDEL RESSOR	4	
17	CFC-18-17B	WASHER 10X25X3	4	
18	CFC-18-18B	BOLT M10X30	1	
19	CFC-18-19B	POINTER	1	
20	CFC-18-20B	WASHER M8	5	
21	CFC-18-21B	WASHER	1	
22	CFC-18-22B	NUT M8	2	
23	CFC-18-23B	BUSHING	1	
24	CFC-18-24B	WHEEL	1	
25	CFC-18-25B	BOLT M8X70	1	
26	CFC-18-26B	SCREW M10X10	2	
27	CFC-18-27B	BOLT M6X20	2	
28	CFC-18-28B	WASHER M6	2	
29	CFC-18-29B	LOCKED NUT M8	1	

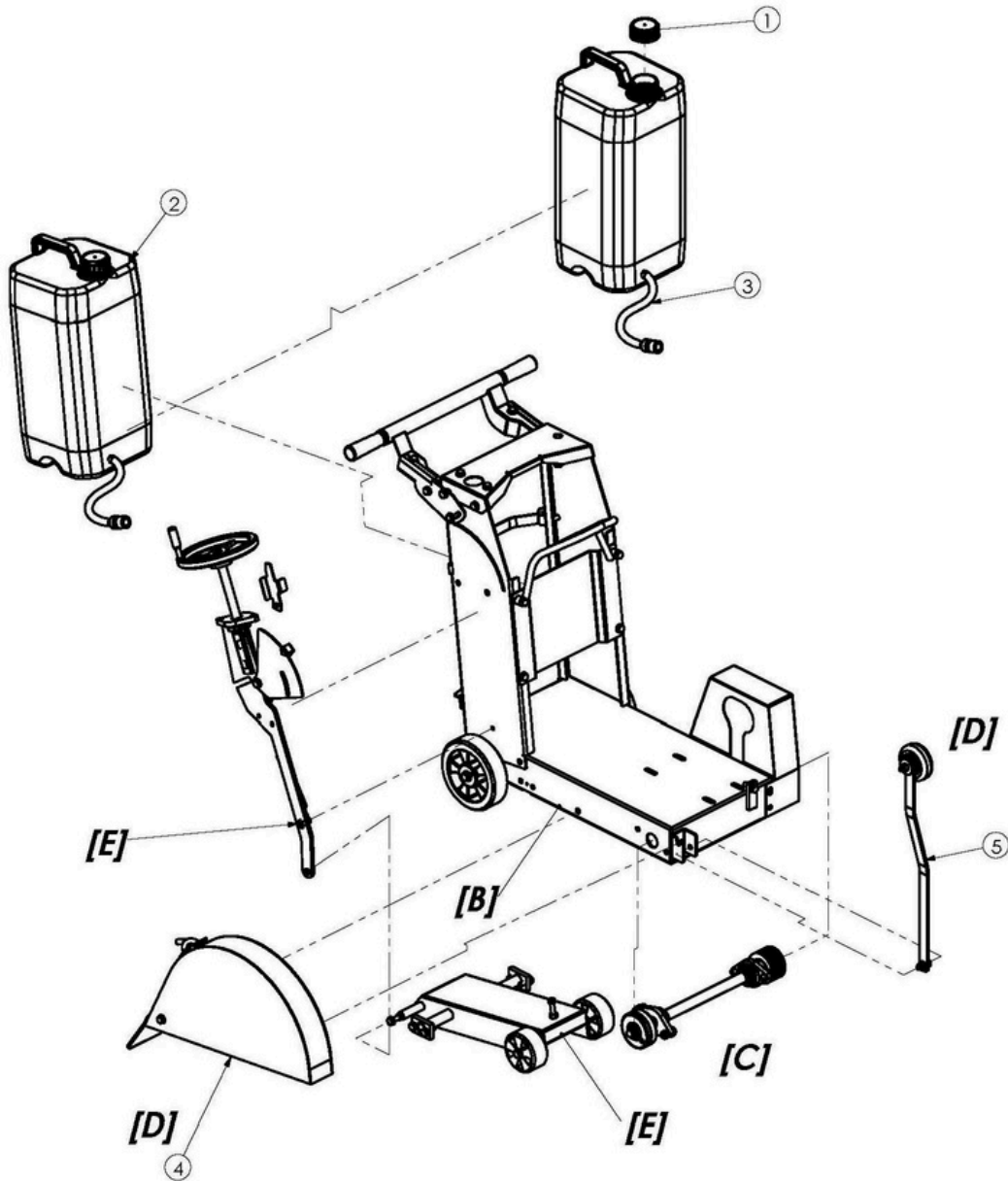
ENGINE & TRAVELING SYSTEM

S/NO	PART NO	DESCRIPTION	QTY	REMARK
1	CFC-18-01C	BELT	1	
2	CFC-18-02C	LOCKED NUT M10	4	
3	CFC-18-03C	WASHER 10X25X3	4	
4	CFC-18-04C	CORD ASSY. STOP	1	
5	CFC-18-05C	SCREW M6X8	1	
6	CFC-18-06C	ATTACHE FIL	5	
7	CFC-18-07C	OIL MOTOR PLATE	1	
8	CFC-18-08C	STOP SWITCH	1	
9	CFC-18-09C	SCREW M8X10	1	
10	CFC-18-10C	SCREW M8X12	1	
11	CFC-18-11C	ENGINE PULLEY </td <td>1</td> <td></td>	1	
12	CFC-18-12C	MOTOR PLATE	1	
13	CFC-18-13C	LOCK PLATE	2	



FRAME

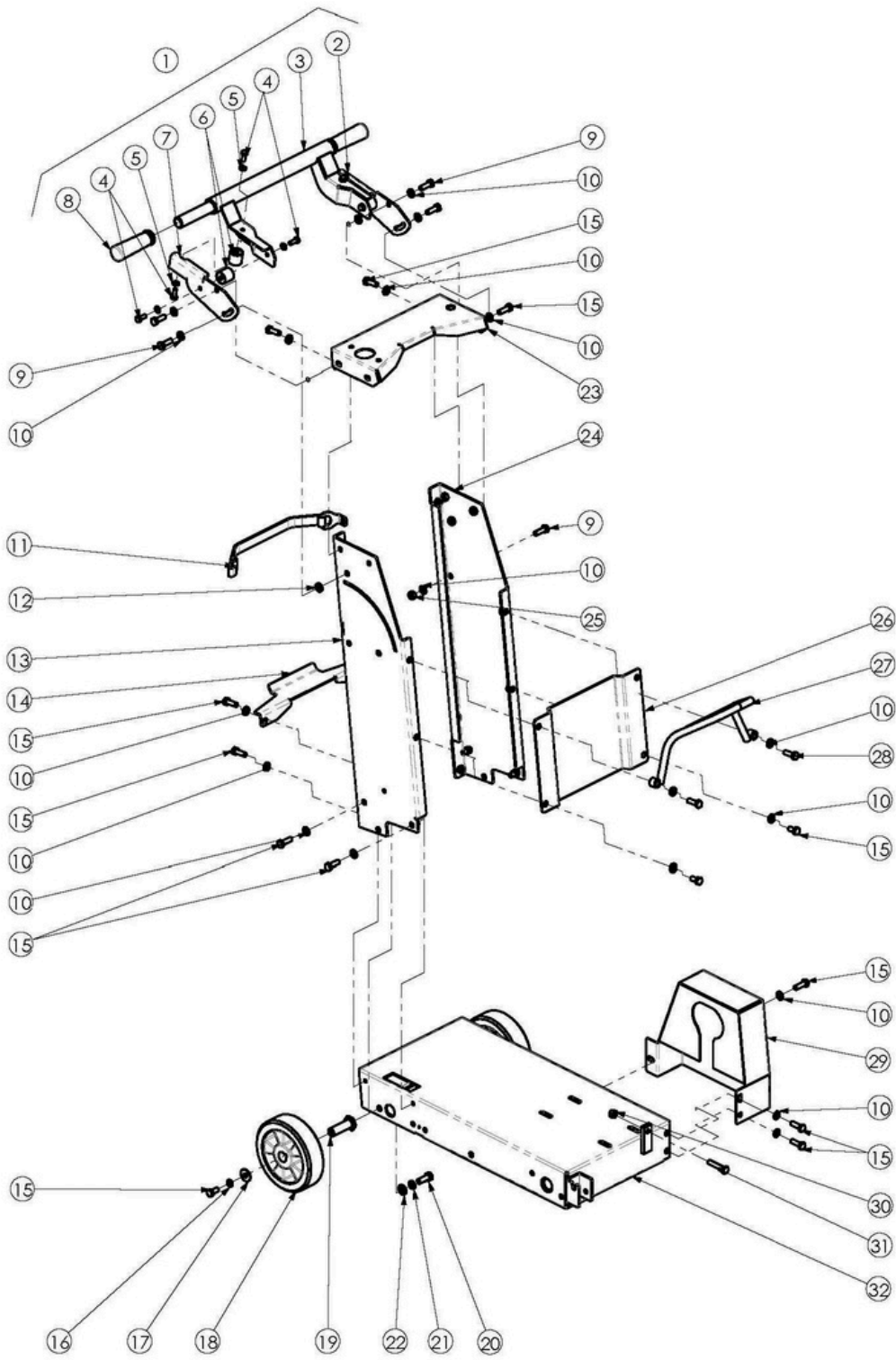
S/NO	PART NO	DESCRIPTION	QTY	REMARK
1	CFC-18-01D	WATER TANK CAP	1	
2	CFC-18-02D	WATER TANK	1	
3	CFC-18-03D	PIPE	1	
4	CFC-18-04D	BLADE GUARD KIT	1	
5	CFC-18-05D	POINTER KIT	1	



HANDLE

S/NO	PART NO	DESCRIPTION	QTY	REMARK
1	CFC-18-01E	HANDLE	1	
2	CFC-18-02E	ARM	1	
3	CFC-18-03E	HANDLE ASSEMBLY	1	
4	CFC-18-04E	BOLT M8X12	8	
5	CFC-18-05E	WASHER M8	8	
6	CFC-18-06E	SHOCK ABSORBER	4	
7	CFC-18-07E	ARM	1	
8	CFC-18-08E	GRIP	2	
9	CFC-18-09E	BOLT M10X25	5	
10	CFC-18-10E	WASHER M10	19	
11	CFC-18-11E	SANGLE ELASTIQUE	1	
12	CFC-18-12E	WASHER 10X25X3	2	
13	CFC-18-13E	SIDE PANEL	1	
14	CFC-18-14E	SUPPORT	1	
15	CFC-18-15E	BOLT M10X20T	15	
16	CFC-18-16E	SW M10	2	
17	CFC-18-17E	WASHER 10X30X3	2	
18	CFC-18-18E	WHEEL	2	
19	CFC-18-19E	WHEEL AXLE	2	
20	CFC-18-20E	BOLT M12X35	2	
21	CFC-18-21E	SW M12	2	
22	CFC-18-22E	WASHER 12X30X3	2	
23	CFC-18-23E	CONSOLE	1	
24	CFC-18-24E	SIDE PANEL	1	
25	CFC-18-25E	LOCKED NUT M10	1	
26	CFC-18-26E	PROTECTIVE PLATE	1	
27	CFC-18-27E	LIFT BAIL	1	
28	CFC-18-28E	BOLT M10X40	2	
29	CFC-18-29E	BELT GUARD	1	
30	CFC-18-30E	NUT M10	1	
31	CFC-18-31E	BOLT M10X55	1	
32	CFC-18-32E	FRAME	1	

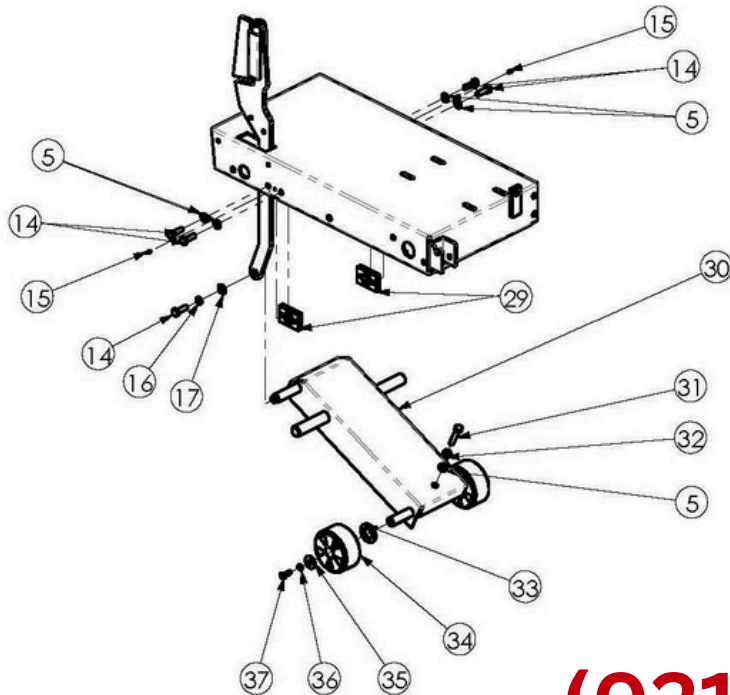
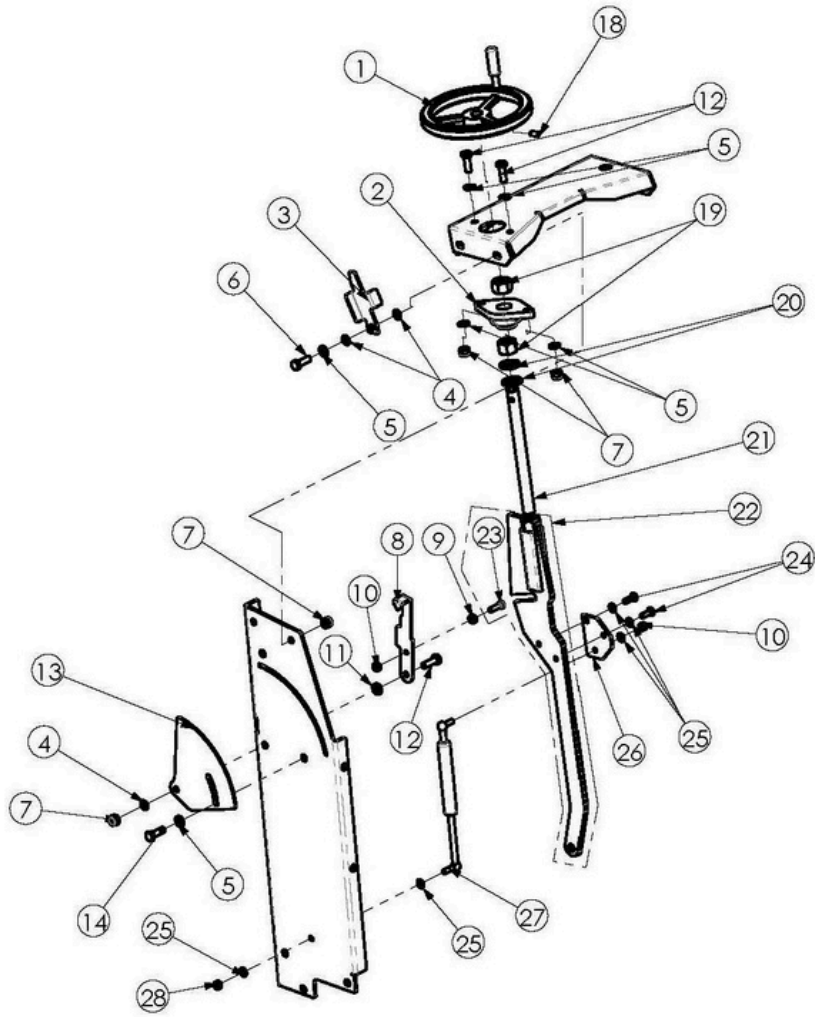
HANDLE



HEIGHT ADJUSTMENT

S/NO	PART NO	DESCRIPTION	QTY	REMARK
1	CFC-18-01F	ROOLIRATAS	1	
2	CFC-18-02F	BEARING UCFL204	1	
3	CFC-18-03F	BEFESTIGUNG	1	
4	CFC-18-04F	RONDEL RESSOR	2	
5	CFC-18-05F	WASHER M10	11	
6	CFC-18-06F	BOLT M10X35	1	
7	CFC-18-07F	LOCKED NUT M10	1	
8	CFC-18-08F	GUIDING PRINCIPLE	1	
9	CFC-18-09F	NUT M8	1	
10	CFC-18-10F	LOCKED NUT M8	1	
11	CFC-18-11F	WASHER M10X25X8	1	
12	CFC-18-12F	BOLT M10X30	1	
13	CFC-18-13F	ADJUSTING SUPPORT	1	
14	CFC-18-14F	BOLT M10X20	6	
15	CFC-18-15F	GREASE NIPPLE	2	
16	CFC-18-16F	SW M10	1	
17	CFC-18-17F	WASHER 10X30X3	1	
18	CFC-18-18F	SCREW M8X12	1	
19	CFC-18-19F	NUT M8	2	
20	CFC-18-20F	NYLON WASHER	2	
21	CFC-18-21F	HEIGHT ADJUSTMENT SCREW	1	
22	CFC-18-22F	HEIGHT ADJUSTER	1	
23	CFC-18-23F	SOCKET HEAD BOLT M8X20	1	
24	CFC-18-24F	BOLT M8X16	2	
25	CFC-18-25F	WASHER M8	2	
26	CFC-18-26F	GASFEDER	1	
27	CFC-18-27F	SPRING	1	
28	CFC-18-28F	LOCKED NUT M8	1	
29	CFC-18-29F	CLAMP	2	
30	CFC-18-30F	CARRIAGE	1	
31	CFC-18-31F	BOLT M10X55	1	
32	CFC-18-32F	NUT M10	1	
33	CFC-18-33F	RONDELLE ACIER 20X30X4	2	
34	CFC-18-34F	WHEELS	2	
35	CFC-18-35F	WASHER 8X30X3	2	
36	CFC-18-36F	SW M8	2	
37	CFC-18-37F	BOLT M8X20	2	

HEIGHT ADJUSTMENT



DALY INDUSTRIAL
SUPPLY CO. LTD.

(021) 4390003
spareparts@disc.ie