

Item	Part Number	Description	Illustration	Price	Quantity	Price Group
2	1 604 220 52T	Field	1	-,-	1	42
4	1 615 805 073	Bearing cover	1	-,-	1	42
5	1 610 900 015	groove ball bearing 12x37x12	1	-,-	1	31
6	1 615 500 214	Screw Plug	1	-,-	1	30
7	1 615 108 104	Insulating Housing	1	-,-	1	33
8	1 616 610 091	Fan	1	-,-	1	27
9	1 613 313 000	Hex Nut DIN 985-M12X1	1	-,-	1	14
11	1 610 108 013	Felt Washer	1	-,-	1	12
12	1 610 102 616	Supporting Disc 1,0 MM THICK	1	-,-	1	14
15	1 610 910 091	Needle-Roller Bearing D35xD47x17	1	-,-	1	34
17	1 610 210 210	O-Ring	1	-,-	2	24
19	1 616 110 044	Eccentric Shaft	1	-,-	1	51
21	1 616 318 009	Cylindrical Gear Z=45	1	-,-	1	48
22	1 616 328 036	Cylindrical Gear Z=19/52	1	-,-	1	51
23	1 610 913 005	Needle-Roller Assembly	1	-,-	2	21
24	1 615 500 444	Gear Cover	1	-,-	1	47
26	1 610 910 092	Needle-Roller Bearing D25xD37x17	1	-,-	1	33
27	1 610 210 213	O-Ring	1	-,-	2	17
29	1 610 910 097	Needle-Roller Bearing	1	-,-	1	33
35	1 610 210 211	O-Ring	1	-,-	1	21
37	1 600 A01 384	Guide Tube	1	-,-	1	56
38	1 610 102 094	Supporting Disc	1	-,-	1	19
39	1 610 290 103	Damping Ring	1	-,-	1	27
40	1 615 700 061	Intermediate Flange	1	-,-	1	31
41	1 610 210 008	O-Ring 17,3x17,7 MM	1	-,-	2	18
42	1 613 123 014	Striker Pin	1	-,-	1	47
44	1 618 045 026	Retaining Bracket	1	-,-	1	50
45	1 613 103 004	Locking Bolt	1	-,-	1	40
46	2 917 760 187	Slotted Spring Pin 8x55 DIN 1481	1	-,-	2	11
47	1 900 210 172	O-Ring 100x3 MM	1	-,-	1	22

48	1 610 516 017	Sealing cap	1	-,-	1	28
50	3 600 421 500	Protection Sleeve	1	-,-	1	13
51	1 610 703 057	Cord guard	1	-,-	1	18

Item	Part Number	Description	Illustration	Price	Quantity	Price Group
52	1 615 500 417	Fan Cover	1	-,-	1	41
53	1 615 500 414	Covering hood	1	-,-	1	46
55	1 604 460 202	Power supply cord GB 110V 4,15m 2 x 2,5mm H07 RN-F	1	-,-	1	37
56	1 610 703 011	Grommet	1	-,-	1	26
57	1 615 500 418	Switch Cover	1	-,-	1	18
58	1 617 200 124	On-Off Switch	1	-,-	1	36
59	1 615 700 057	Intermediate Plate	1	-,-	1	47
61	1 615 700 059	Dust Protection	1	-,-	1	20
62	1 612 026 153	Switch-Pawl	1	-,-	1	16
63	1 615 132 124	Handle	1	-,-	1	37
64	1 616 334 000	Rubber Torsion-Bar	1	-,-	2	32
65	1 613 060 005	Toothed Shaft	1	-,-	1	39
66	1 610 290 101	Backup ring	1	-,-	1	41
68	1 613 465 001	Rubber Buffer	1	-,-	2	18
69	1 615 700 058	Intermediate Plate	1	-,-	1	46
70	1 615 132 125	Handle	1	-,-	1	39
73	1 603 435 036	Tapping Screw 4,8x78 MM, TORX T-20	1	-,-	2	11
74	2 916 160 010	Disc Spring	1	-,-	3	13
75	1 614 614 009	Compression Spring	1	-,-	3	22
76	1 611 302 015	Fastening Clamp	1	-,-	1	12
77	1 615 500 431	Ventilation Grid	1	-,-	1	16
85	1 614 336 045	Brush Holder	1	-,-	1	34
85/96	1 614 448 037	Connecting Cable	1	-,-	2	21
86	1 610 300 033	Bearing bolt	1	-,-	1	29
87	1 610 900 027	groove ball bearing 25x52x15	1	-,-	1	32
88	1 610 283 016	Rotary shaft lip seal	1	-,-	1	22
89	1 610 009 008	Spacer	1	-,-	1	15
90	1 611 015 061	Rectangular Ring	1	-,-	1	14
91	1 610 210 212	O-Ring	1	-,-	1	13

94	1 611 015 021	Sealing Plate	1	-,-	1	13
95	1 614 413 010	Wiring Harness	1	-,-	1	20
97	2 915 011 007	Hex Nut DIN 934-M6-8-A	1	-,-	2	10
99	3 613 313 500	Hex Nut DIN 985-10-M10x1	1	-,-	2	14
104	2 910 141 201	Hex Socket Head Cap Screw DIN 912-M6x20-8.8	1	-,-	4	13
105	2 914 551 188	Microencapsulated Screw DIN 912-M6X30-8.8	1	-,-	4	14
106	2 914 551 189	Microencapsulated Screw DIN 912-M6X55-8.8	1	-,-	4	10
107	2 910 141 242	Hex Socket Head Cap Screw DIN 912-M8x20-8.8	1	-,-	4	11
108	2 603 490 023	Torx Oval-Head Screw 4x20	1	-,-	4	10
109	2 910 141 248	Hex Socket Head Cap Screw DIN 912-M8x35-8.8	1	-,-	9	11
110	2 910 141 356	Hex Socket Head Cap Screw DIN-M12x70-8.8	1	-,-	4	13
111	1 613 414 024	Hex Screw	1	-,-	3	17
112	1 613 490 021	Torx Oval-Head Screw	1	-,-	2	11
118	1 614 503 011	Suppression Filter	1	-,-	1	34
135	1 611 110 H20	Reference Plate	1	-,-	1	14
139	1 610 508 050	Plug	1	-,-	1	12
801	1 617 000 726	Motor Housing	1	-,-	1	58
803	1 614 011 140	Armature 110V	1	-,-	1	56
817	1 611 091 006	connecting terminal 2-POLE	1	-,-	2	11
825	1 617 000 727	Piston Assembly Group	1	-,-	1	39
834	1 617 000 728	Striker	1	-,-	1	43
837	1 600 A01 1ER	Guide Tube	1	-,-	1	57

Item	Part Number	Description	Illustration	Price	Quantity	Price Group	
843	1 607 000 C8U	Toolholder		1	-,-	1	57
854	1 617 000 730	Switch Housing		1	-,-	1	31
859	2 910 011 088	Socket head cap screw DIN 84-AM3,5x12-5.8		1	-,-	2	10
871	1 601 11A 3H5	Nameplate		1	-,-	1	13
872	1 617 000 731	Hammer Pipe		1	-,-	1	56
879	1 614 652 001	Spiral Spring		1	-,-	2	15
881	1 613 490 005	Torx Oval-Head Screw M4x10		1	-,-	2	13
882	1 610 151 007	Spring Lock Washer		1	-,-	2	10
883	1 617 000 425	Carbon-Brush Set		1	-,-	1	32

89 0	1 617 000 A17	Un. Flange-Mtd. Motor	1	-, -	1	62
89 7	1 617 000 732	Wear and Tear Part Set	1	-, -	1	46
89 8	1 615 430 015	Grease Tube 225 ML	1	-, -	1	35

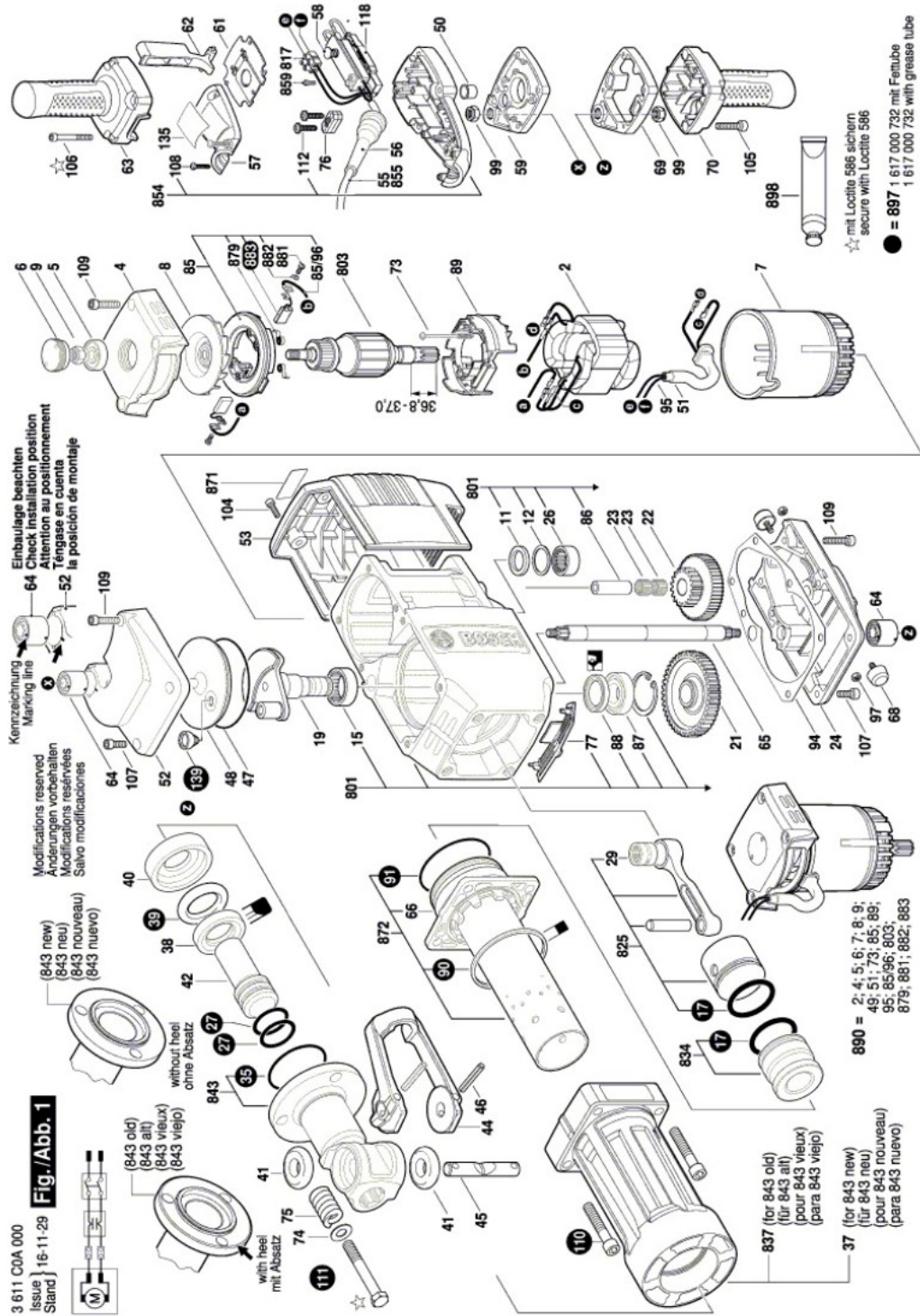
Lubrication instructions for product: Demolition Hammer - 3 611 C0A 060 - GSH 27 VC

Pos.	Description	Instruction	Lubricant	Quantity
	Gearbox interior	Fill	1 615 430 015 Bosch	150 - 160g
	Impact mechanism	Fill	1 615 430 015 Bosch	120 - 130g
15	Needle bearing	Grease	1 615 430 015 Bosch	
19	Eccentric shaft	Grease	1 615 430 015 Bosch	
21	Spur gear	grease the tooth system	1 615 430 015 Bosch	
22	Spur gear	grease the tooth system	1 615 430 015 Bosch	
26	Needle bearing	Grease	1 615 430 015 Bosch	
37	Guide tube	Grease the inside	1 615 430 015 Bosch	
39	Damping ring	Grease	1 615 430 015 Bosch	
41	O-Ring	Grease	1 615 430 015 Bosch	
42	Impact pin	Grease	1 615 430 015 Bosch	
87	Deep groove ball bearing	Grease	1 615 430 015 Bosch	
88	Shaft sealing ring	Grease	1 615 430 015 Bosch	
825	Connecting rod / eccentric journal	Grease	1 615 430 015 Bosch	
825	Piston pin	Grease	1 615 430 015 Bosch	
825	Hammer piston	Grease	1 615 430 015 Bosch	
843	Tool holder	Grease the inside	1 615 430 015 Bosch	
872	Hammer tube	Grease the inside	1 615 430 015 Bosch	
23	Needle ring	Grease	1 615 430 020 Bosch	
29	Needle bearing	Grease	1 615 430 020 Bosch	
11, 17, 27, 91	.	* Oil / immerse in oil	SAE 20 W Mineral oil (commercially available)	

Product information Demolition Hammer - 3 611 C0A 060 -  
GSH 27 VC

Product No	3 611 C0A 060
Description	263.788; Demolition Hammer
DIN-Text	
ID_Text_Ext	0
Trading_Description	GSH 27 VC
Voltage_1	110 V
ID_Country_Product	GB

Illustration - Type E



Information subject to change without further notice.