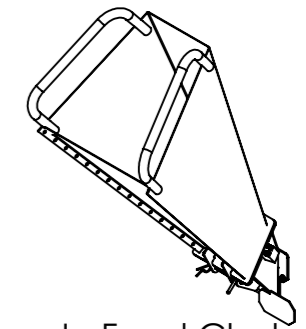
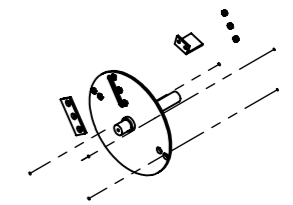


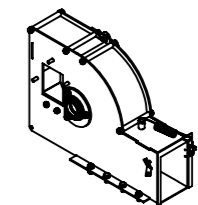
CONTENTS



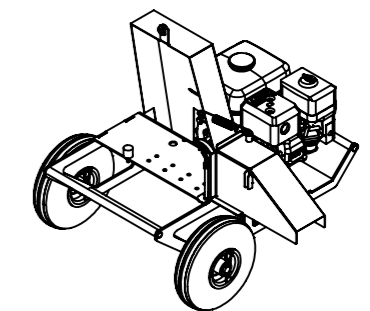
In Feed Chute



Rotor Assembly



Rotor Housing



Engine & Chassis

Parts Diagrams

CAMON C50i Wood Chipper

VALID FROM

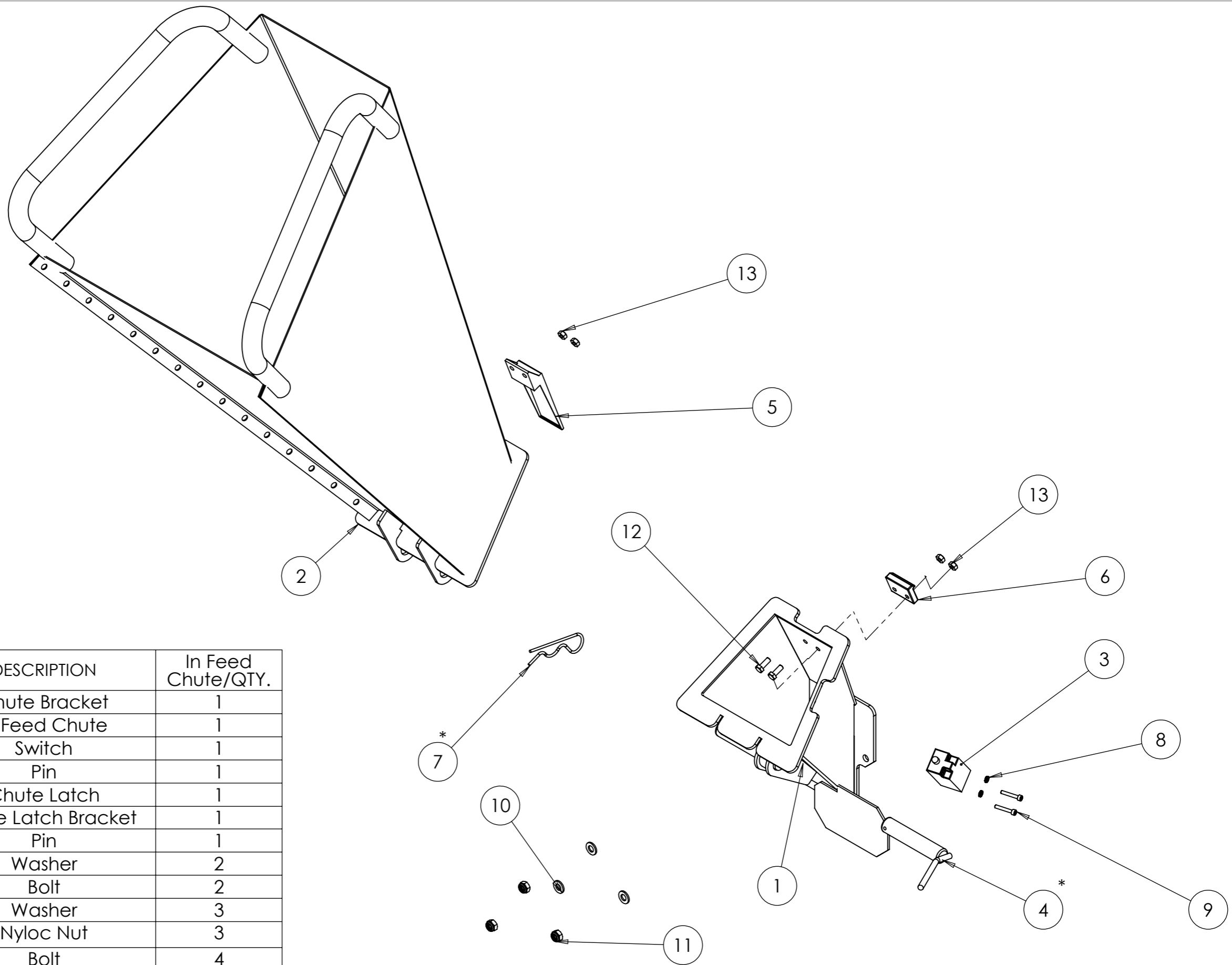
June 2014

SERIAL NUMBER

A05-41003

REVISION

A

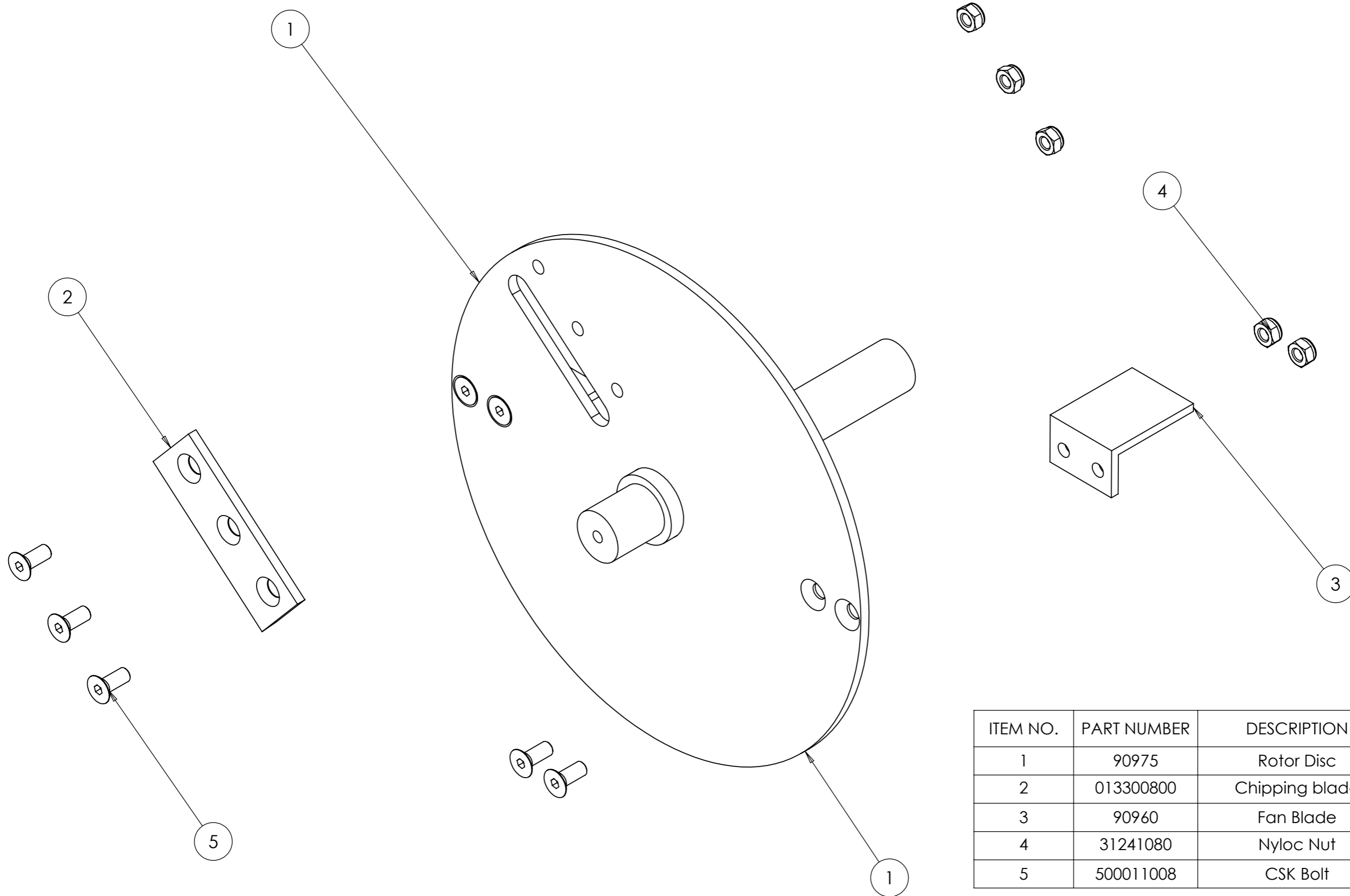


ITEM NO.	PART NUMBER	DESCRIPTION	In Feed Chute/QTY.
1	90990	Chute Bracket	1
2	90991	In Feed Chute	1
3	480129	Switch	1
4	59042768	Pin	1
5	480139	Chute Latch	1
6	480139-2	Chute Latch Bracket	1
7	58002052	Pin	1
8	480151	Washer	2
9	480130	Bolt	2
10	31411084	Washer	3
11	31241080	Nyloc Nut	3
12	31112090	Bolt	4
13	31241060	Nut	4

* Superseded by Fixed Pin

In Feed Chute
CAMON C50i Wood Chipper

VALID FROM	June 2014
SERIAL NUMBER	A05-41003
REVISION	A



ITEM NO.	PART NUMBER	DESCRIPTION	Default/ QTY.
1	90975	Rotor Disc	1
2	013300800	Chipping blade	1
3	90960	Fan Blade	2
4	31241080	Nyloc Nut	7
5	500011008	CSK Bolt	7

Rotor Assembly

CAMON C50i Wood Chipper

VALID FROM

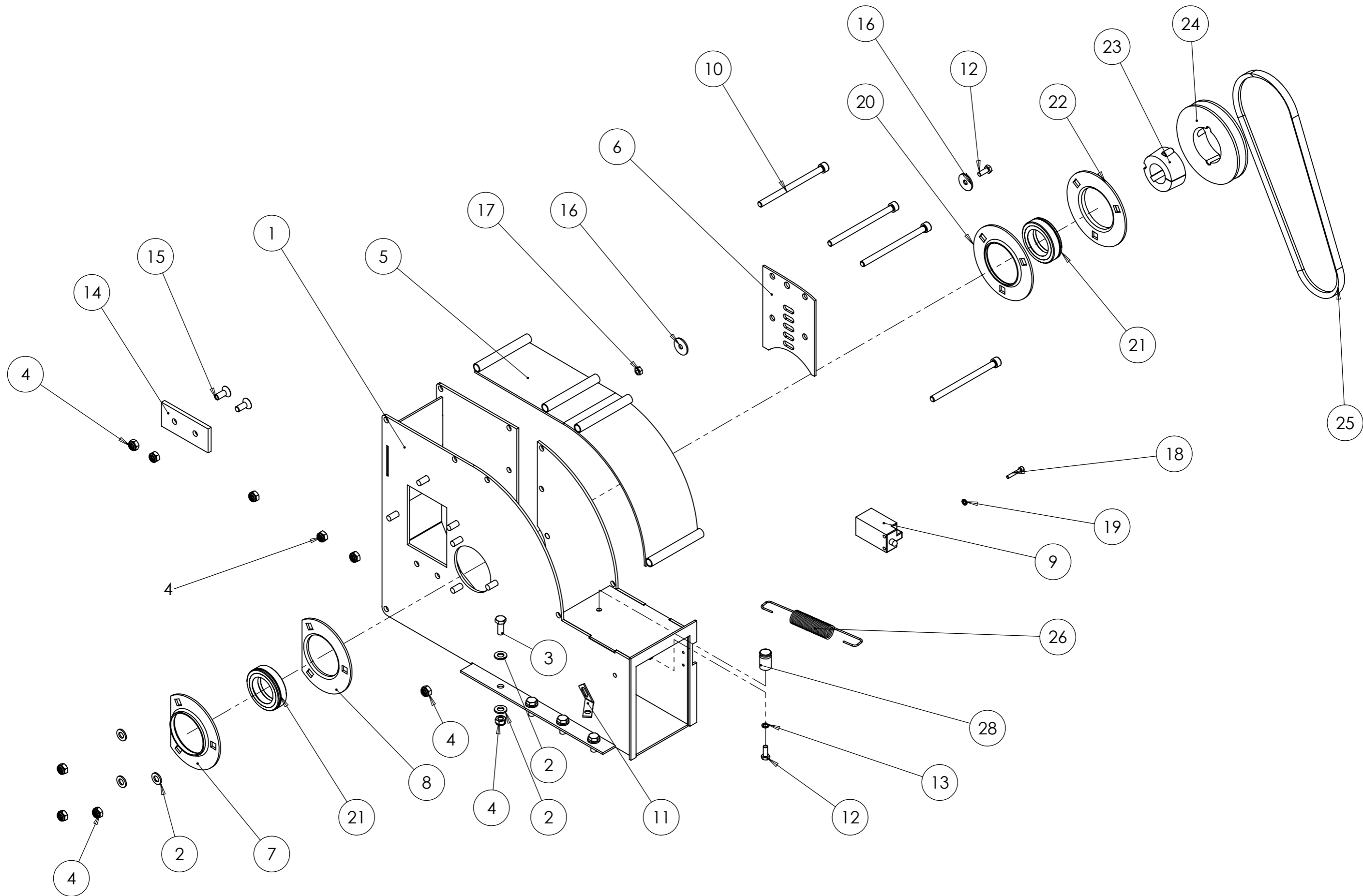
OCT 2015

SERIAL NUMBER

A05-41003

REVISION

B



Rotor Housing Assembly
C50i WOOD CHIPPER

VALID FROM	June 2014
SERIAL NUMBER	A05-41003
REVISION	A

ITEM NO.	PART NUMBER	DESCRIPTION	QTY.
1	90980	Rotor Housing	1
2	31411084	Washer	13
3	31112150	Bolt	8
4	31241080	Nyloc Nut	10
5	90981	Curved Cover	1
6	90982	Slot Cover	1
7	90910a	Bearing Carrier Chipping Side	1
8	90910b	Bearing Carrier Chipping Side	1
9	480129	Switch	1
10	90974	Bolt	4
11	480127	Bracket	1
12	31112090	Bolt	3
13	60079	Split washer	1
14	013000080	Fixed blade	1
15	500018810	CSK Bolt	2
16	31411066	Washer	2
17	31241060	Nut	1
18	480130	Bolt	1
19	480151	Washer	1
20	90910d	Bearing Carrier Belt Side	1
21	550002030	Bearing	2
22	90910c	Bearing Carrier Belt Side	1
23	90901B	Bush	1
24	90901A	Pulley	1
25	90903	Belt	1
26	58049942	Spring	1
28	480144	Spring Post	1

Rotor Housing Parts Table

CAMON C50i Wood Chipper

VALID FROM

June 2014

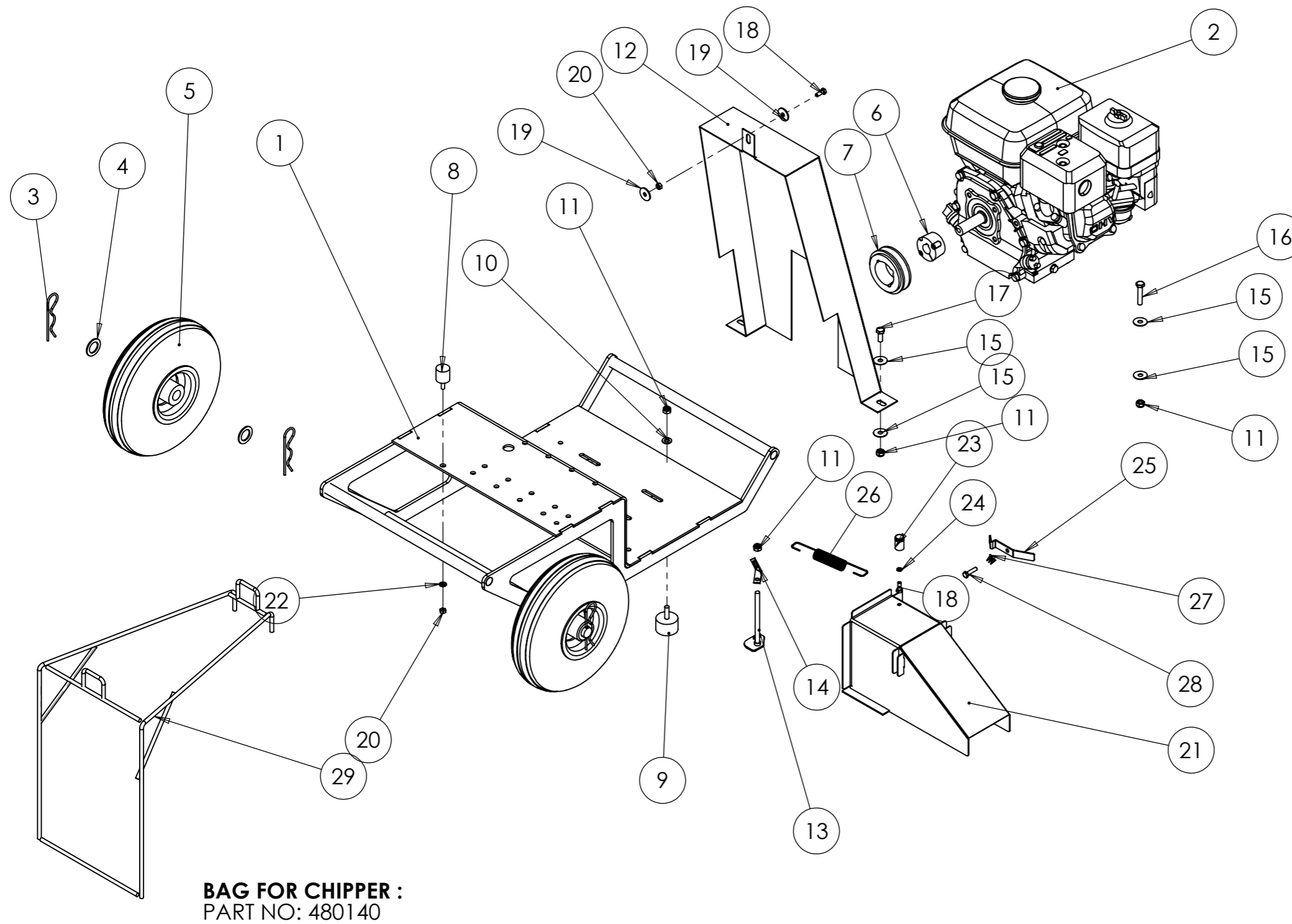
SERIAL NUMBER

A05-41003

REVISION

A

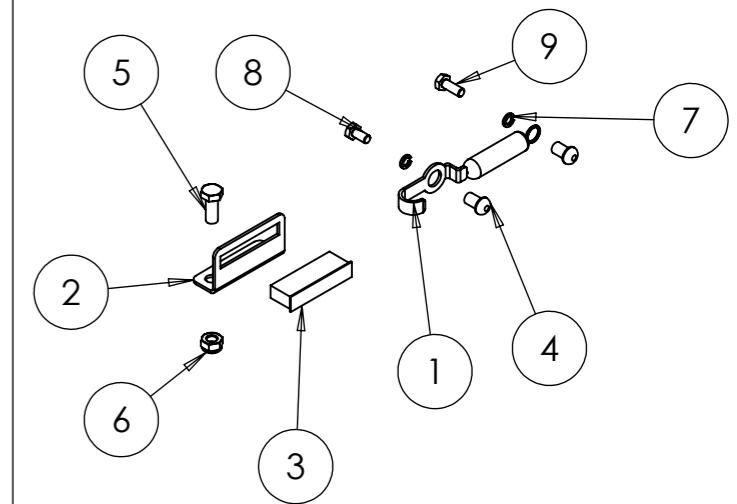
DIAGRAM 1.0



BAG FOR CHIPPER :
PART NO: 480140

PARTS LISTED FOR DIAGRAM 1.0 ON NEXT PAGE

DIAGRAM 2.0 2016 Magnetic Latch Parts



ITEM NO.	PART NUMBER	DESCRIPTION	QTY.
1	90996	Chute Latch	1
2	90994	Magnet Bracket	1
3	90995	Chute Magnet	1
4	90997	Latch Post	2
5	31112150	Bolt	1
6	31241080	Nyloc Nut	1
7	60079	Split washer	2
8	31112082	Bolt	1
9	31112090	Bolt	1

Chassis & Engine

CAMON C50i Wood Chipper

VALID FROM

June 2014

SERIAL NUMBER

A05-41003

REVISION

A

ITEM NO.	PART NUMBER	DESCRIPTION	Chassis & Engine/QTY.
1	90945	Chassis	1
2	GX160_light	GX160UTQX4	1
3	58002052	Pin	4
4	60063	Washer	4
5	480132	Solid Rubber Wheel	2
6	45253B	Bush	1
7	45253P	Pulley	1
8	480142	Buffer	1
9	013900000	Rubber Foot	2
10	31411084	Washer	2
11	31241080	Nyloc Nut	9
12	90912	Belt Guard	1
13	480131		1
14	480127	Bracket	1
15	60065	Penny washer	10
16	31112154	Bolt	2
17	31112150	Bolt	2
18	31112090	Bolt	2
19	31411066	Washer	2
20	31241060	Nut	2
21	90921	Discharge Chute 108mm	1
22	31411064	Washer	1
23	480144	Spring Post	1
24	60079	Split washer	1
25	480128	Chute Latch	1
26	58049942	Spring	1
27	58057232Z	Spring	1
28	31112089	Bolt	1
29	90946	Bag Frame	
30	480140	Bag	

Chassis & Engine Parts Table

CAMON C50i Wood Chipper

VALID FROM

June 2014

SERIAL NUMBER

A05-41003

REVISION

A