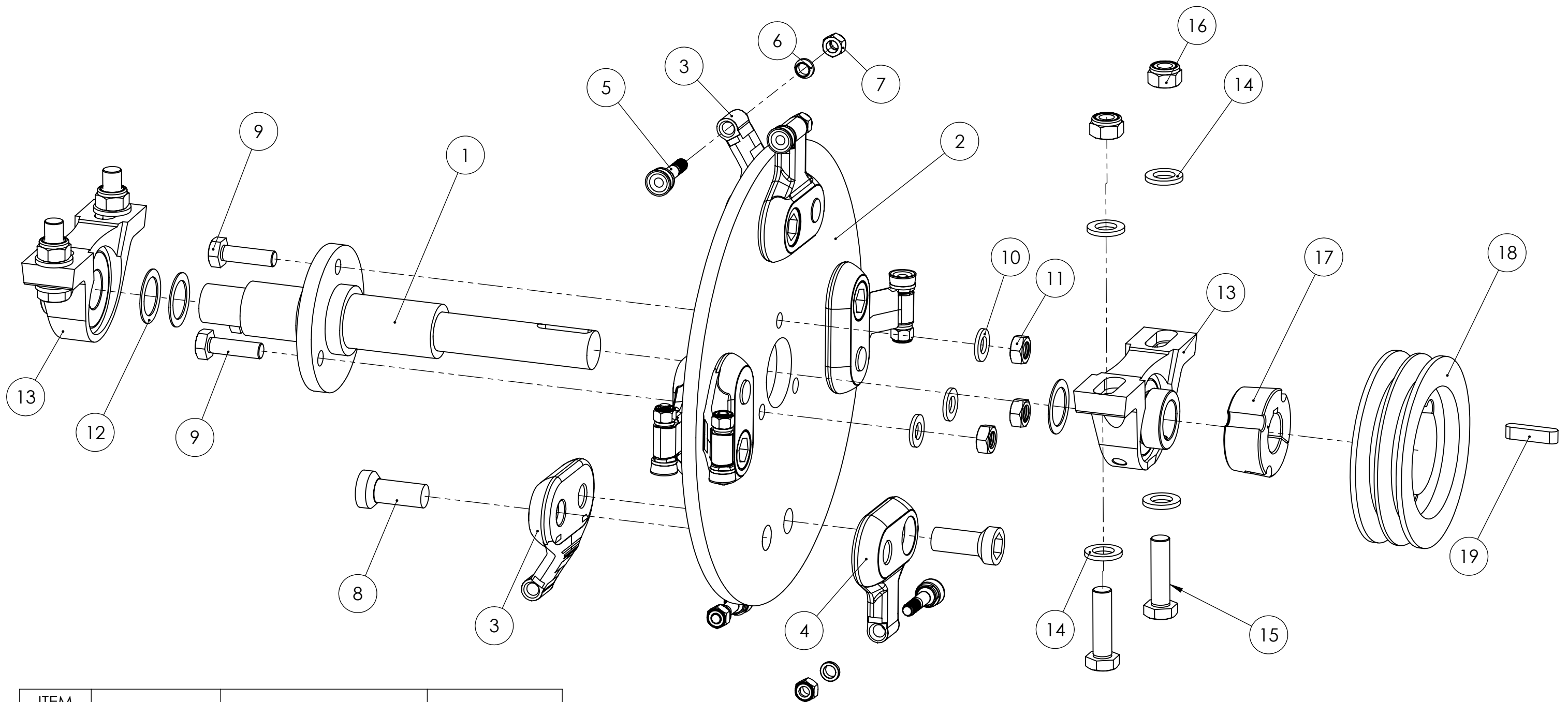


Parts Diagram  
**CAMON SG30 Stump Grinder**

VALID FROM	MAY 2016
SERIAL NUMBER	A08-10000
REVISION	A



ITEM NO.	PartNo	DESCRIPTION	Default/QTY.
1	80006	Rotor Shaft	1
2	80007	Rotor Disc	1
3	500LP-A	Angled Pocket	4
4	500LP-S	Straight Pocket	4
5	500TH-R	Tooth	8
6	500-Spacer	Spacer	8
7	500-Nut	Locknut	8
8	LP134	Tooth Bolt	8
9	31112212	Bolt	3
10	31411105	Washer	3

ITEM NO.	PartNo	DESCRIPTION	Default/QTY.
11	31241105	Nut	3
12	80025	Shim	3
13	80005	Bearing	2
14	TL12926	Washer	8
15	31112263	Bolt	4
16	31241120	Nyloc	4
17	80021B	Bush	1
18	80021P	Pulley	1
19	2581-03	Engine Key	1

Parts Diagram

Rotor Shaft

VALID FROM

MAY 2016

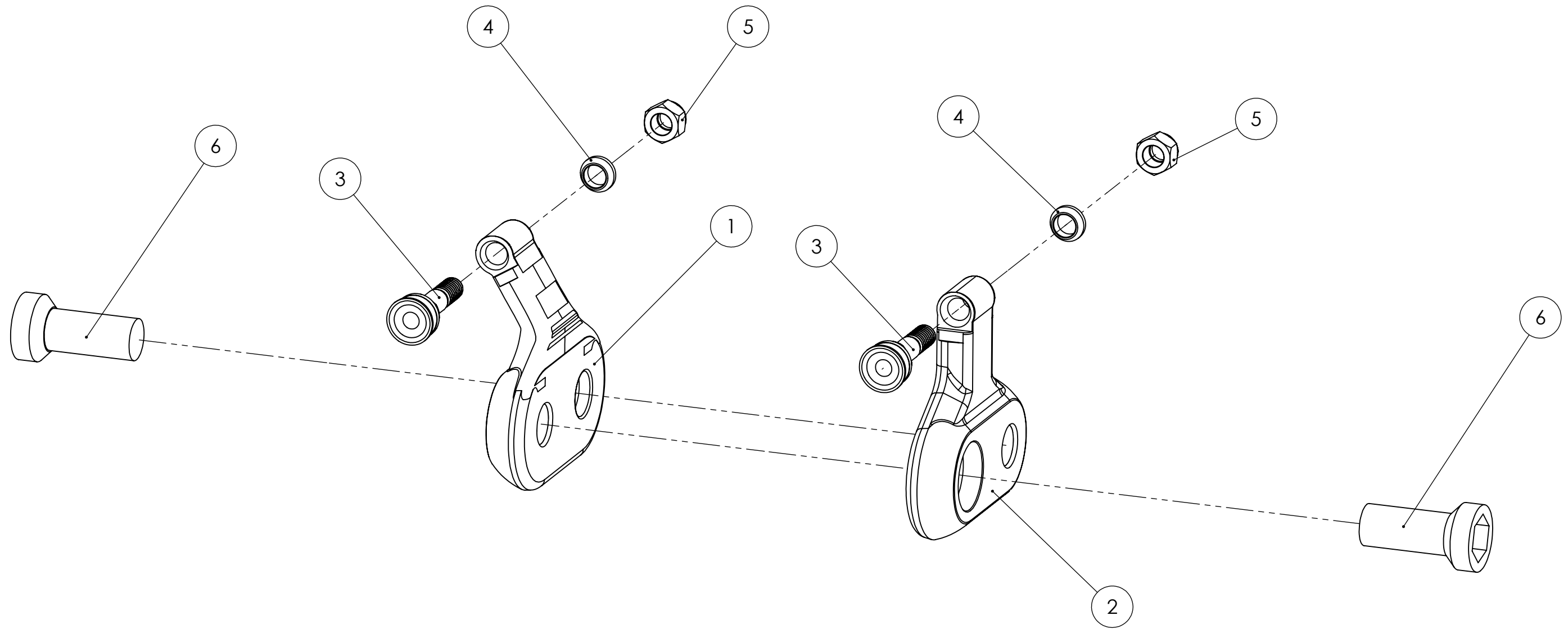
SERIAL NUMBER

A08-10000

REVISION

A

**CAMON SG30 Stump Grinder**

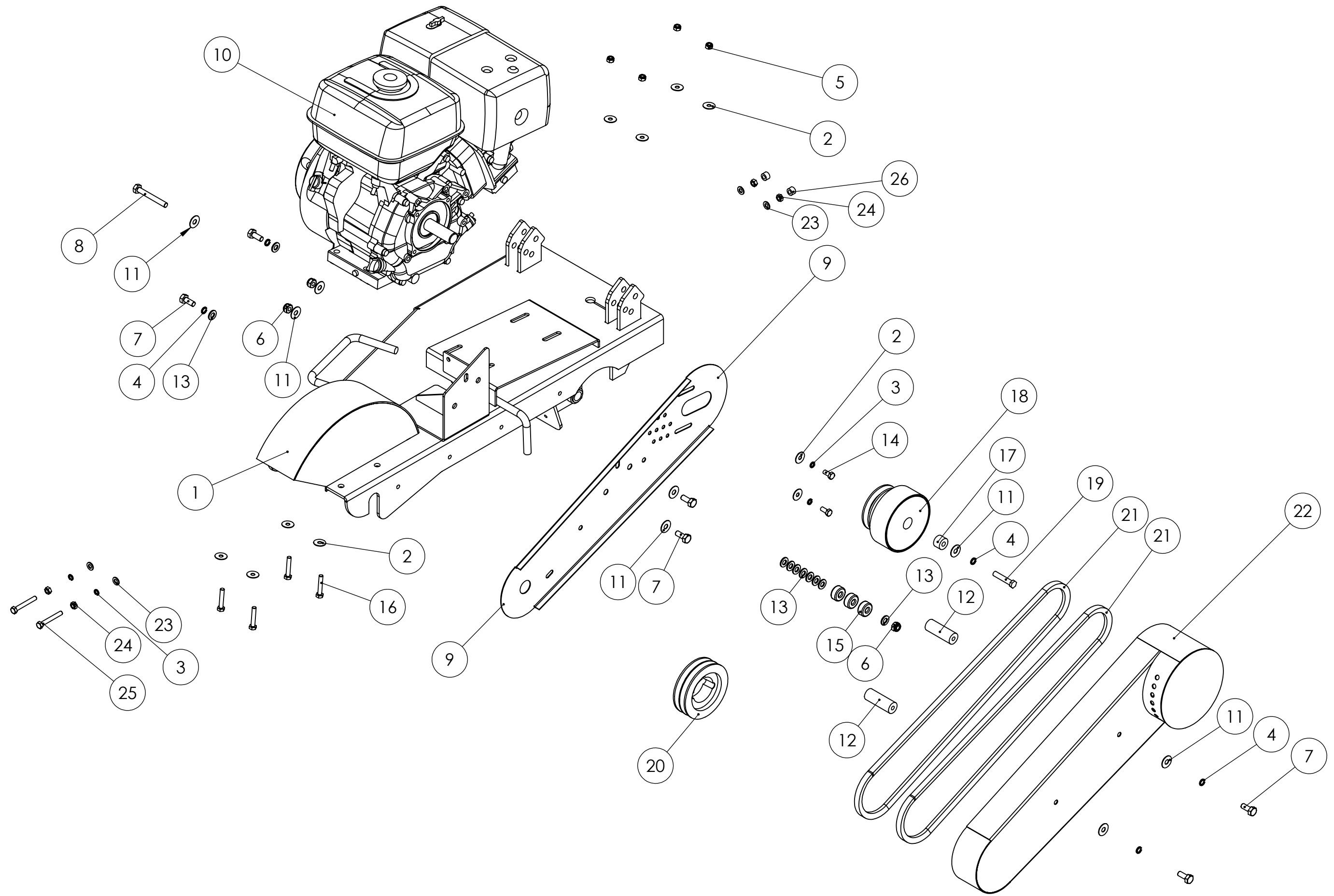


ITEM NO.	PartNo	DESCRIPTION	Teeth/QTY.
1	500LP-A	Angled Pocket	1
2	500LP-S	Straight Pocket	1
3	500TH-R	Tooth	2
4	500-Spacer	Spacer	2
5	500-Nut	Locknut	2
6	LP134	Tooth Bolt	2

Parts Diagram  
**CAMON SG30 Stump Grinder**

Teeth

VALID FROM	MAY 2016
SERIAL NUMBER	A08-10000
REVISION	A



Parts Diagram  
**CAMON SG30 Stump Grinder**

Engine & DriveSystem

VALID FROM	MAY 2016
SERIAL NUMBER	A08-10000
REVISION	A

ITEM NO.	PartNo	DESCRIPTION	Engine & Drive Train/QTY.
1	80001	Chassis	1
2	60065	Penny washer	11
3	60075	Spring Washer	4
4	TCLAWKS1	Spring Washer	5
5	31241080	Nyloc	4
6	31241100	Nyloc	3
7	3112219	Bolt	6
8	31112217	Hex Bolt	1
9	80016	Rear Belt Guard	1
10	GX390B	Honda Bank Engine	1
11	40015	Penny washer	8
12	80010	Belt Guard Spacer	2
13	31411105	Washer	10
14	31100003	Hex Bolt	2
15	37112203	Bearing	3
16	31112155	Hex Bolt	4
17	80011	Spacer	1
18	761636	Clutch	1
19	40038	2" UNF Bolt	1
20	80021P	Pulley	1
21	80020	Drive Belt	2
22	80018	Belt Guard	1
23	31411105	Washer	4
24	31211080	Nut	4
25	31112156	Hex Bolt	2
26	80051	Engine Tension Spacer	2

Parts Diagram

Engine & Drive System Parts Table

VALID FROM

MAY 2016

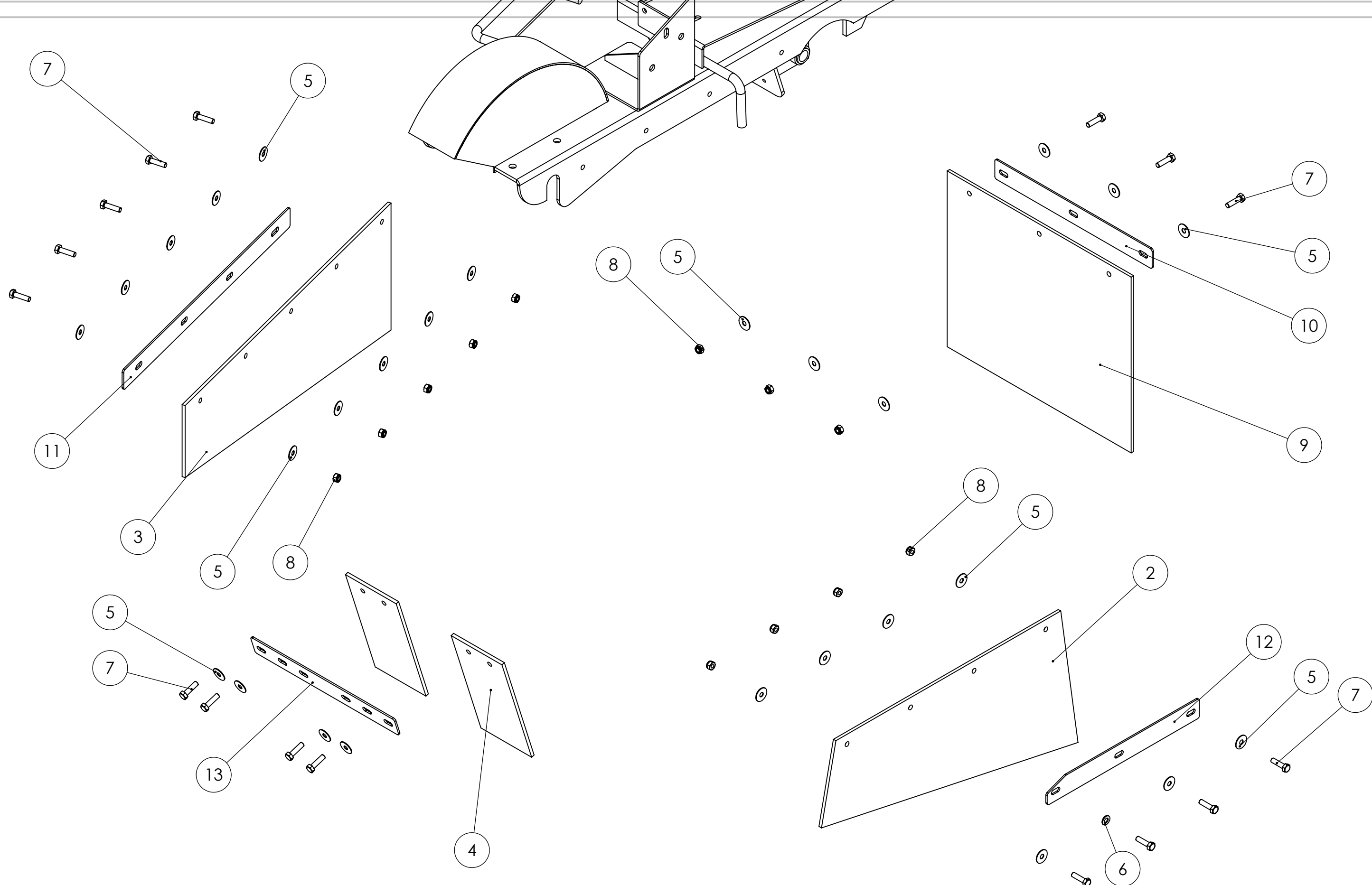
SERIAL NUMBER

A08-10000

REVISION

A

**CAMON SG30 Stump Grinder**



Parts Diagram

Chassis & Guards

VALID FROM

MAY 2016

SERIAL NUMBER

A08-10000

REVISION

A

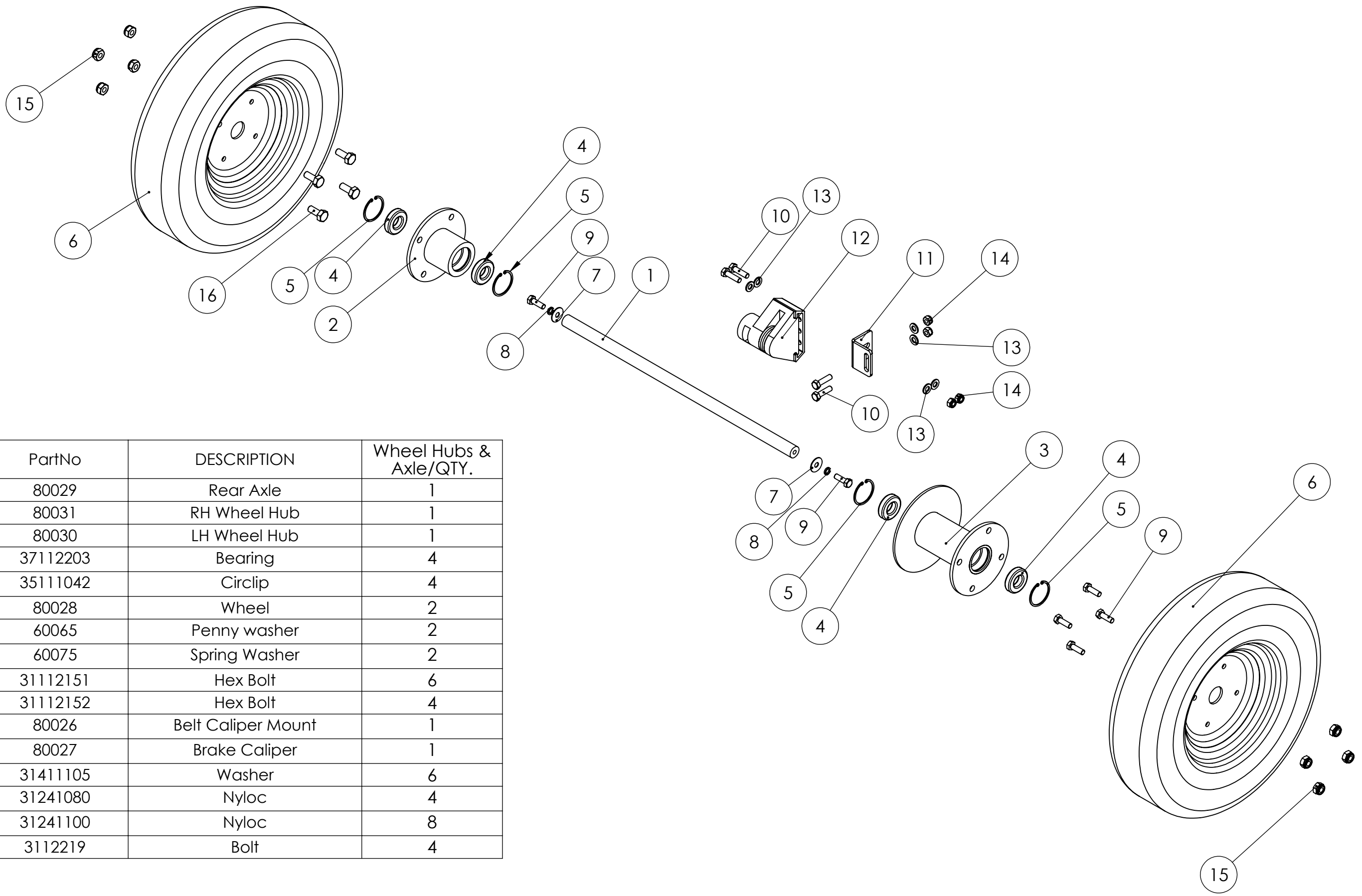
# CAMON SG30 Stump Grinder

ITEM NO.	PartNo	DESCRIPTION	Rubber Guards/QTY.
1	80001	Chassis	1
2	80033	LH Rubber Curtain	1
3	80034	RH Rubber Curtain	1
4	80035	Under Chassis Rubber	2
5	60065	Penny washer	27
6	31411105	Washer	1
7	31112152	Hex Bolt	16
8	31241080	Nyloc	12
9	80036	Rear Rubber Flap	1
10	80040	Rear Guard Plate	1
11	80038	RH Guard Plate	1
12	80037	LH Guard Plate	1
13	80039	Under Chassis Guard Retainer	1

Parts Diagram  
**CAMON SG30 Stump Grinder**

Chassis & Guards Parts Table

VALID FROM	MAY 2016
SERIAL NUMBER	A08-10000
REVISION	A



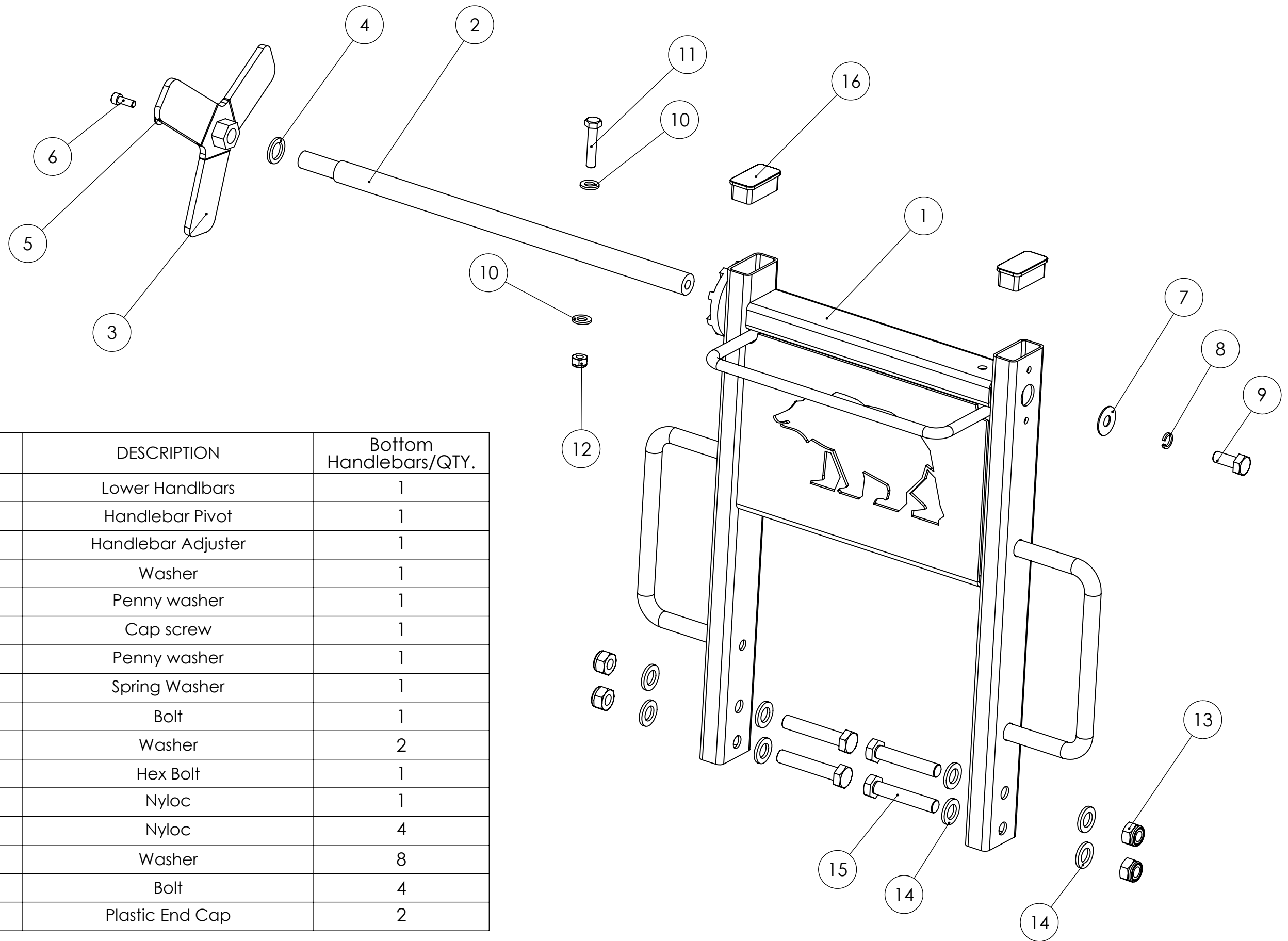
ITEM NO.	PartNo	DESCRIPTION	Wheel Hubs & Axle/QTY.
1	80029	Rear Axle	1
2	80031	RH Wheel Hub	1
3	80030	LH Wheel Hub	1
4	37112203	Bearing	4
5	35111042	Circlip	4
6	80028	Wheel	2
7	60065	Penny washer	2
8	60075	Spring Washer	2
9	31112151	Hex Bolt	6
10	31112152	Hex Bolt	4
11	80026	Belt Caliper Mount	1
12	80027	Brake Caliper	1
13	31411105	Washer	6
14	31241080	Nyloc	4
15	31241100	Nyloc	8
16	3112219	Bolt	4

Parts Diagram  
**CAMON SG30 Stump Grinder**

Wheel Hubs

VALID FROM	MAY 2016
SERIAL NUMBER	A08-10000
REVISION	A





ITEM NO.	PartNo	DESCRIPTION	Bottom Handlebars/QTY.
1	80003	Lower Handlbar	1
2	80009	Handlebar Pivot	1
3	80008-1	Handlebar Adjuster	1
4	80052	Washer	1
5	31411066	Penny washer	1
6	31152057	Cap screw	1
7	40015	Penny washer	1
8	TCLAWKS1	Spring Washer	1
9	3112219	Bolt	1
10	31411105	Washer	2
11	31112154	Hex Bolt	1
12	31241080	Nyloc	1
13	31241120	Nyloc	4
14	12926	Washer	8
15	31112282	Bolt	4
16	80046	Plastic End Cap	2

Parts Diagram

# CAMON SG30 Stump Grinder

Bottom Handlebars

VALID FROM

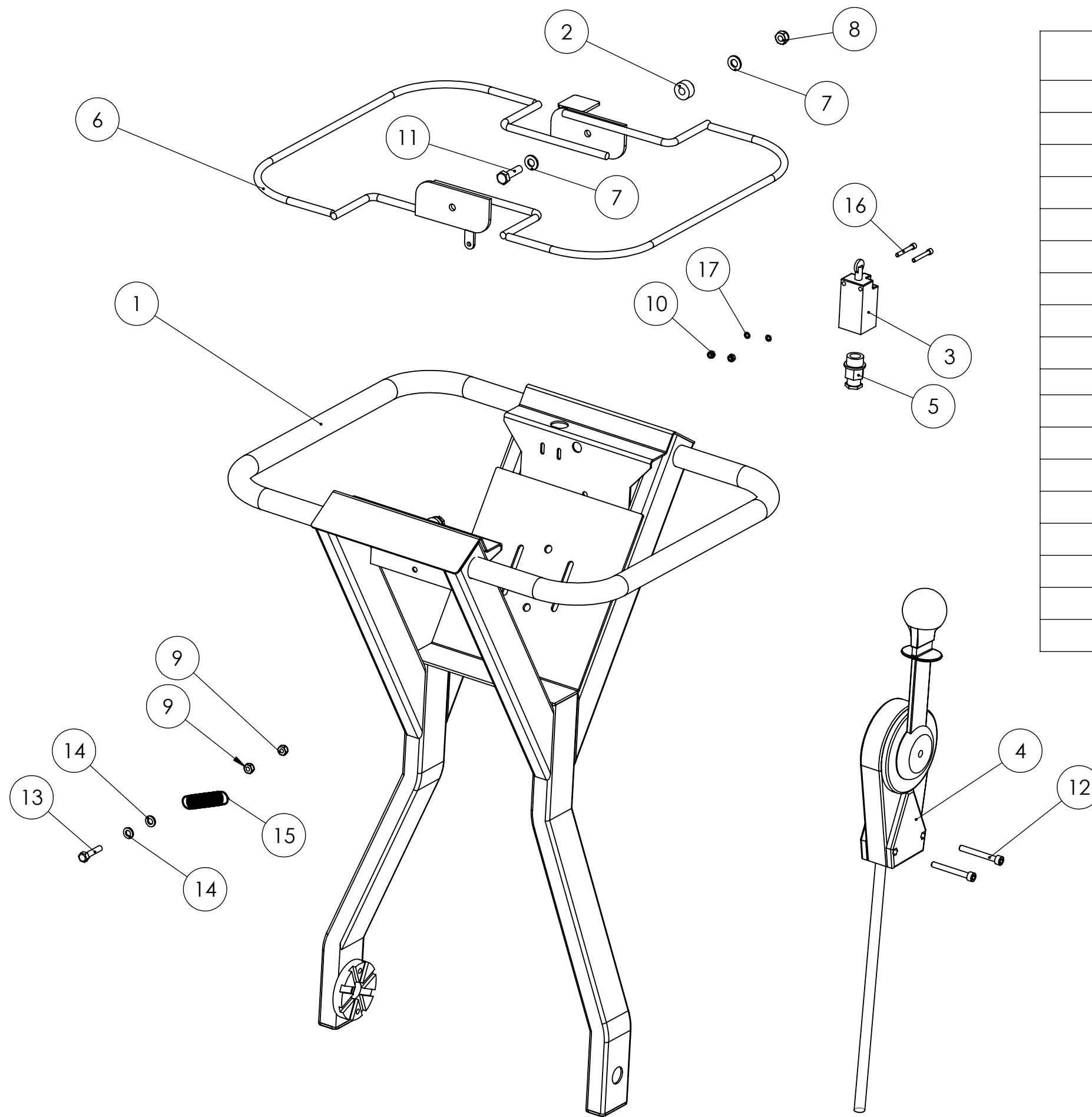
MAY 2016

SERIAL NUMBER

A08-10000

REVISION

A



ITEM NO.	PartNo	DESCRIPTION	Top Handlebars/QTY.
1	80002	Top Handlebars	1
2	80023	OPC Spacer	2
3	480129	Switch	1
4	80015	Brake Lever	1
5	80014	Switch Gland	1
6	80013	OPC Lever	1
7	31411105	Washer	3
8	31241080	Nyloc	1
9	31241060	Nut	2
10	80053	Nut	2
11	31112152	Hex Bolt	2
12	12074	Bolt	2
13	31112152	Hex Bolt	1
14	31411064	Washer	2
15	58049786	Tension Spring	1
16	80004	Capscrew	2
17	80054	Washer	2
18	80046	Plastic End Cap	2

Parts Diagram

# CAMON SG30 Stump Grinder

Top Handlebars

VALID FROM

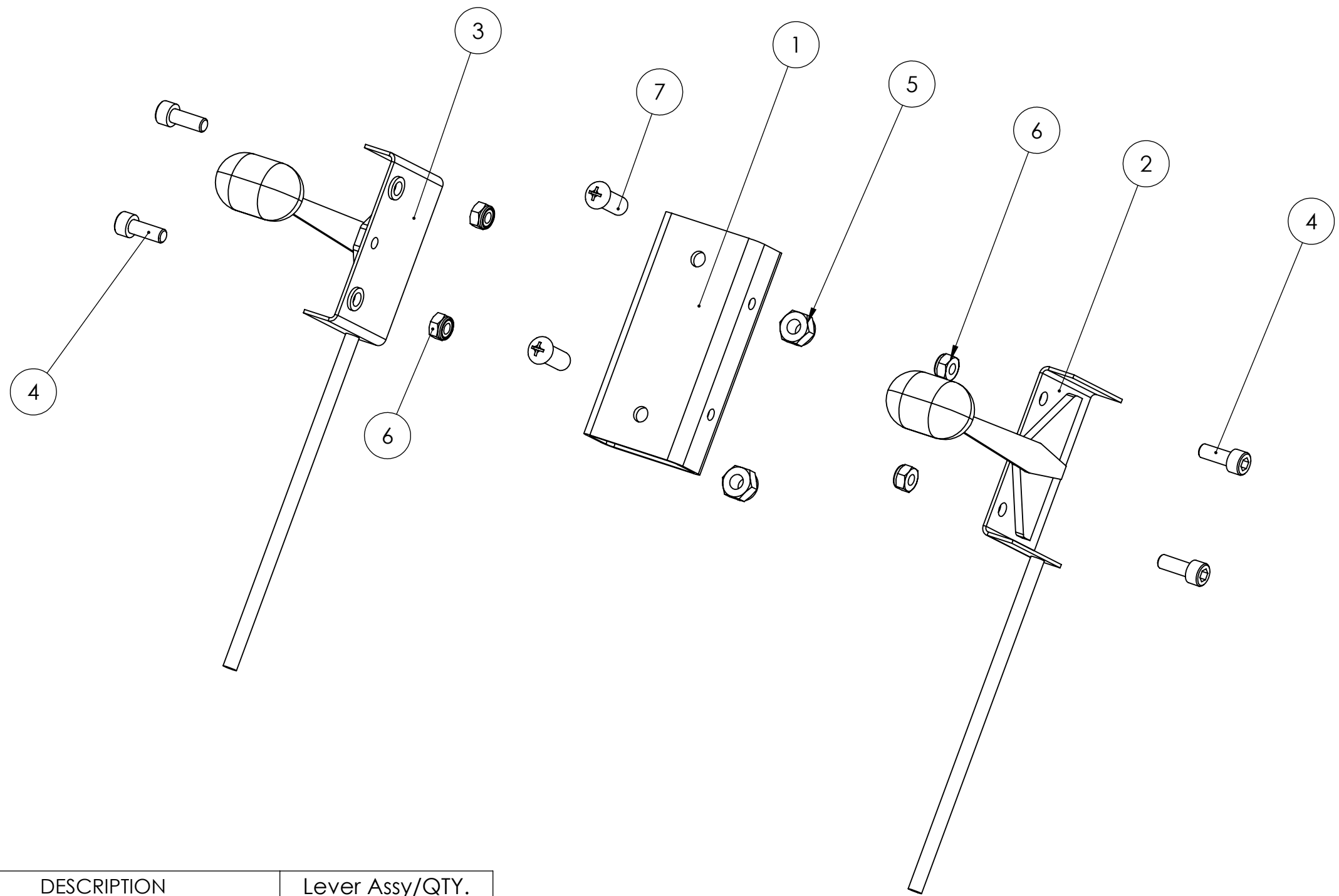
MAY 2016

SERIAL NUMBER

A08-10000

REVISION

A



ITEM NO.	PartNo	DESCRIPTION	Lever Assy/QTY.
1	80024	Lever Mount Tube	1
2	80041	Throttle Lever & Cable	1
3	80042	Choke Lever & Cable	1
4	31152057	Cap screw	4
5	31241080	Nyloc	2
6	31241060	Nut	4
7	60039MW	Bolt	2

Parts Diagram  
**CAMON SG30 Stump Grinder**

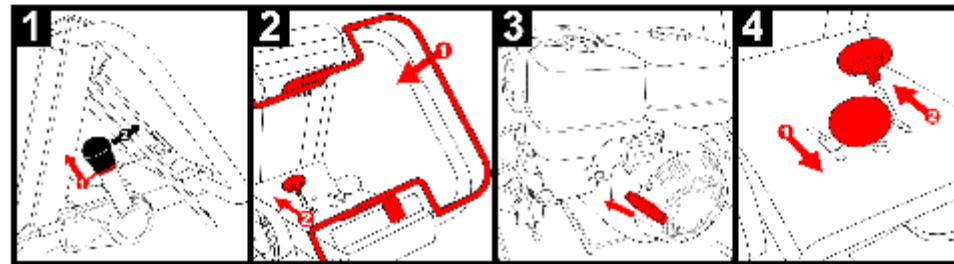
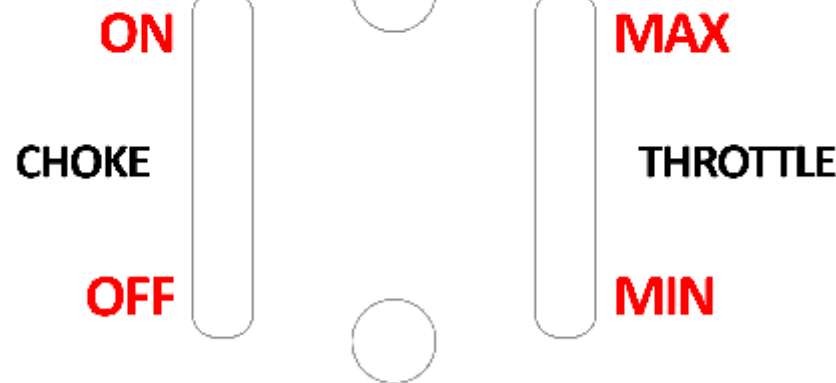
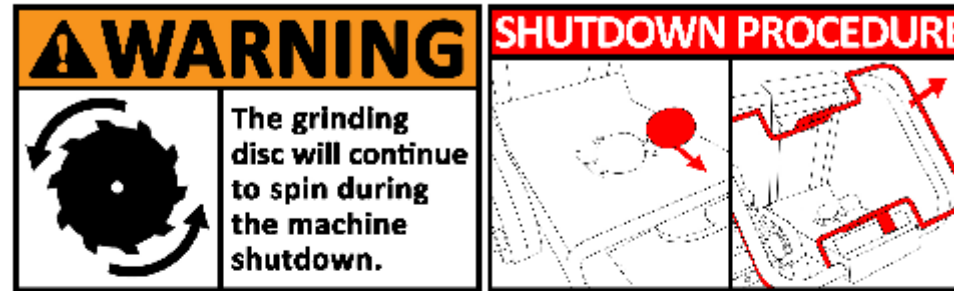
Levers

VALID FROM	MAY 2016
SERIAL NUMBER	A08-10000
REVISION	A

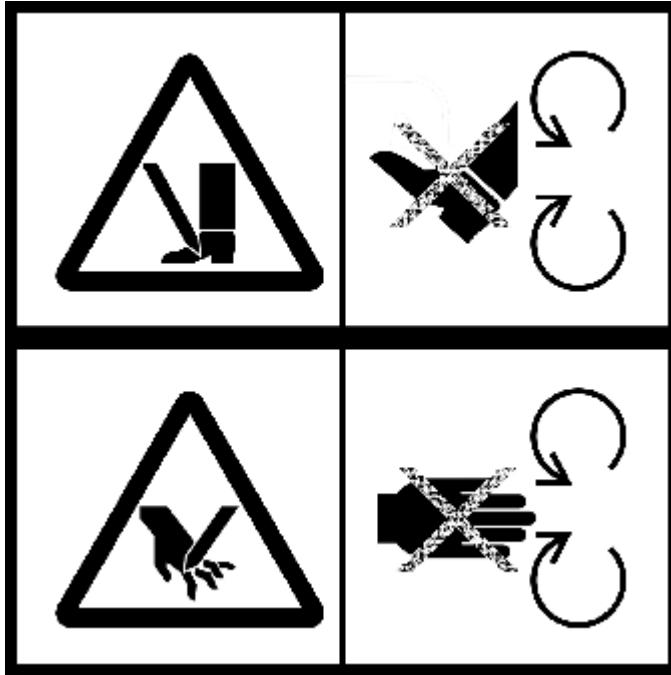
80045 SG30 Sticker

# SG30

80045 Instructions Sticker



80048 Keep Hands & Feet Away Square



80047 Keep Hands & Feet Away Rectangle



80043 Mandatory PPE Sticker

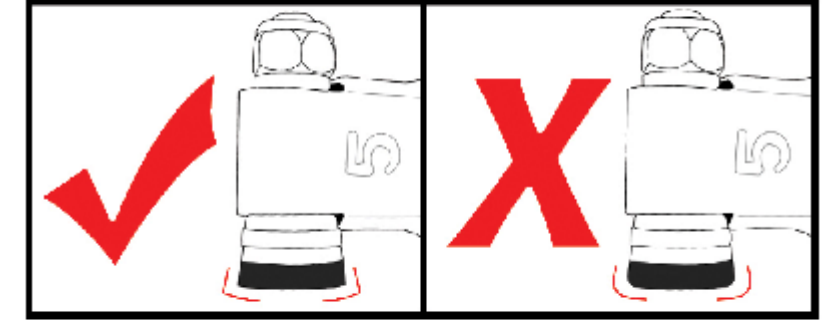


80049 Recoil Sticker



80050 Keep Teeth Sharp Sticker

## ENSURE CUTTER TEETH ARE SHARP



## BLUNT TEETH WILL DAMAGE THE MACHINE

80044 Warning Blade Sticker



Parts Diagram

### CAMON SG30 Stump Grinder

Stickers

VALID FROM

MAY 2016

SERIAL NUMBER

A08-10000

REVISION

A