



Contents

Page	Description
1	Chassis
2	Chassis Components
3	Left Hand Drivetrain
4	Right Hand Drivetrain
5	Gearbox
6	Handlebar

Parts Diagram

CAMON TC07 Turf Cutter

VALID FROM

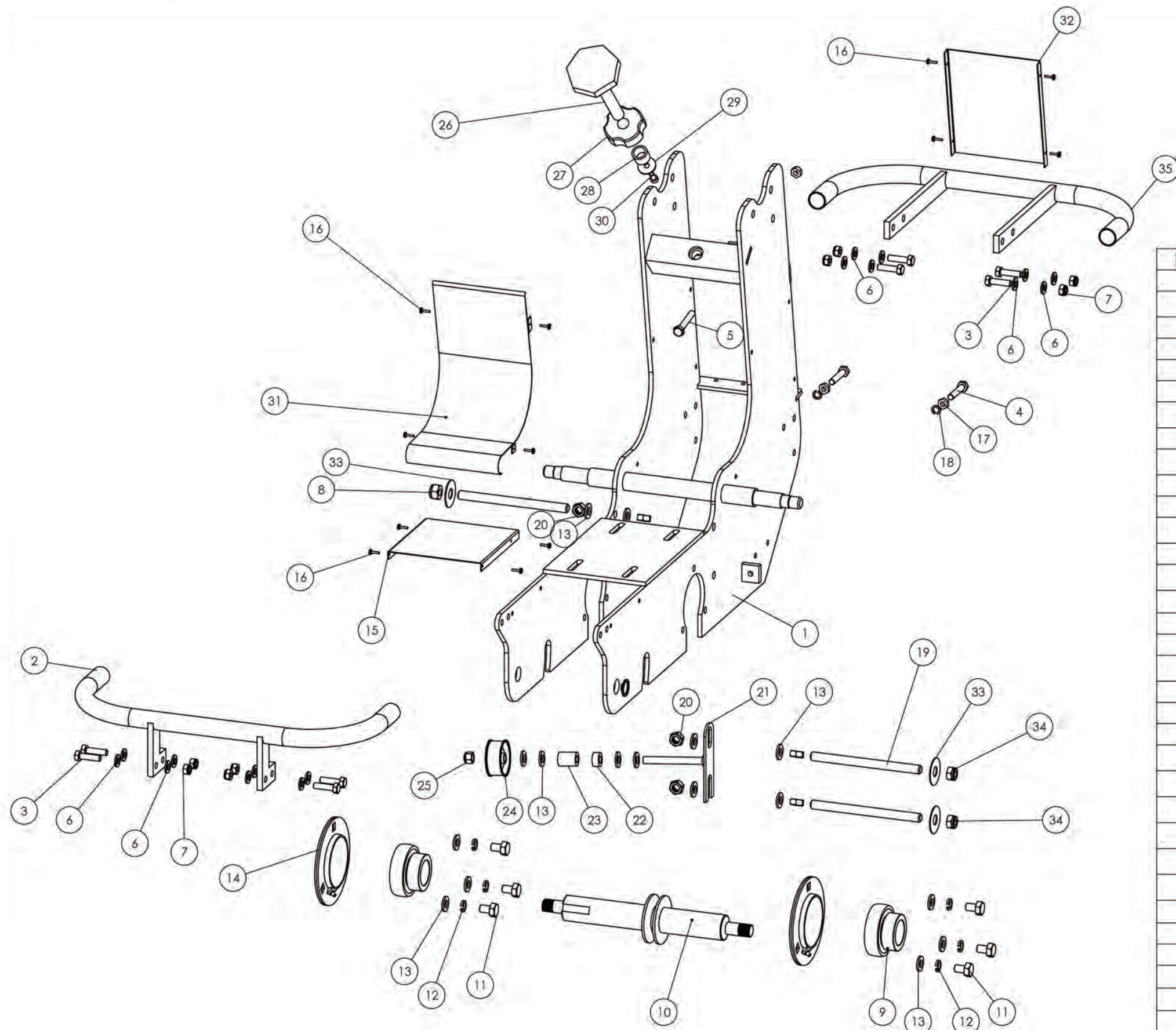
08/07

SERIAL NUMBER

20699

REVISION

C



ITEM NO.	PART NO.	DESCRIPTION	QTY.
1	12018	Chassis	1
2	12001	Front bumper	1
3	31112152	Hex Bolt	8
4	31112155	Hex Bolt	2
5	31112157	Hex Bolt	1
6	31411105	Washer	16
7	31241080	Nyloc	8
8	31231160	Nyloc	1
9	12016	Bearing	2
10	12023	Crankshaft	1
11	12014	Bolt	6
12	TCLAWKS1	Split washer	6
13	31411105	Washer	17
14	12015	Bearing carrier	2
15	12086	Front protector	1
16	10113	Screw	12
17	31211080	Nut	3
18	60075	Split washer	2
19	12102	Stud	3
20	31211100	Nut	6
21	12027	Bracket	1
22	12032	Spacer	1
23	12035	Spacer	1
24	60028	Jockey wheel	1
25	60032	Nyloc nut	1
26	60020A	Depth adjuster c/w threaded bar	1
27	60023	Locking knob	1
28	12106	Depth limit spacer	1
29	60027	Washer	1
30	60031	Bolt	1
31	12013	Centre protector	1
32	12050	Rear protector	1
33	60029	M12 Penny washer	3
34	31241100	Nyloc	2
35	12051	Rear bumper	1

TC07 Chassis

CAMON TC07 Turf Cutter

Page 1

VALID FROM

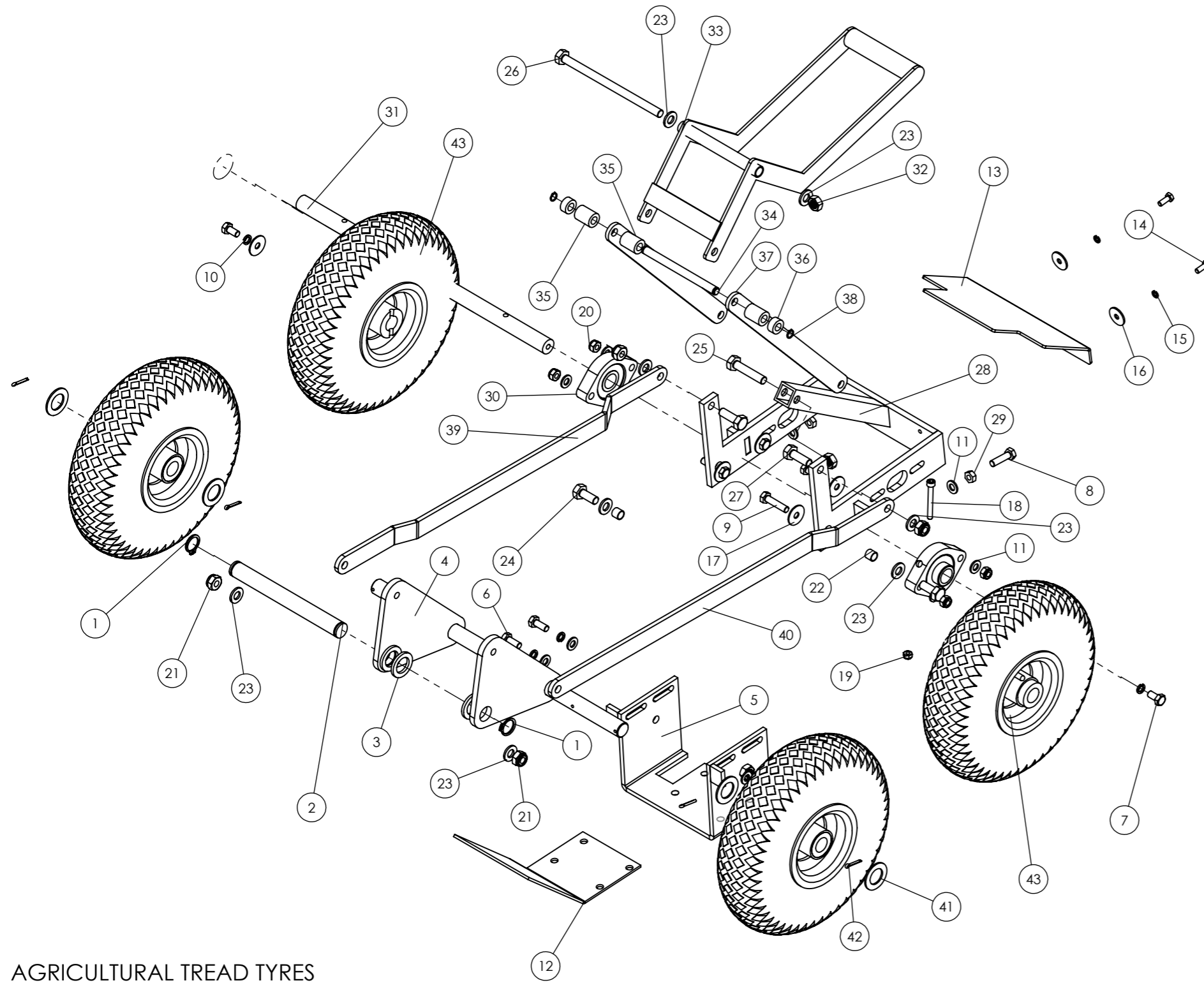
08/07

SERIAL NUMBER

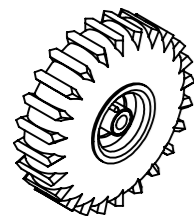
20699

REVISION

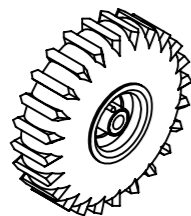
C



AGRICULTURAL TREAD TYRES



Front Wheel
12220



Rear Wheel
12220A



Rear Wheel Sleeve
12087

* Parts 12035 & 12032 can be ordered as one part: 12033

ITEM NO.	PartNo	DESCRIPTION	QTY.
1	35121020	Circlip	2
2	12004	Front axle pivot	1
3	60063	Washer	3
4	12005	Front axle assembly	1
5	12071	Mounting bracket	1
6	31112150	Hex Bolt	4
7	31111151	Hex Bolt	2
8	31112152	Hex Bolt	2
9	31112153	Hex Bolt	4
10	60075	Split washer	6
11	31411105	Washer	10
12	10111	Grass gaurd	1
13	12055	Chain cover	1
14	31112090	Bolt	2
15	60079	split washer	2
16	60027	Washer	2
17	90947	Penny Washer	5
18	12074	Bolt	2
19	31241060	Nut	2
20	31241080	Nyloc	4
21	31241100	Nyloc	4
22	12083	Bush 12mm OD	2
23	31411105	Washer	8
24	31112219	Bolt	2
25	31112215	Bolt	1
26	12028	Bolt	1
27	31112211	Bolt	2
28	12080	Rear axle bracket	1
29	31211080	Nut	2
30	12079	LFTC20A Bearing	2
31	12075	Rear wheel axle	1
32	31211100	Nut	2
33	12038	Lifting handle	1
34	12036	Lifting pin	1
35	12035*	Spacer	3
36	12032*	Spacer	2
37	12062	Lifting rod	2
38	12034	circlip	2
39	12054	RH connecting rod	1
40	12053	LH connecting rod	1
41	45282	Washer	4
42	45285	Split pin	4
43	45281PPR	Front wheel (with bearing)	2
44	45281PBBF	Front wheel (with bearing)	2

Chassis Components

CAMON TC07 Turf Cutter

Page 2

VALID FROM

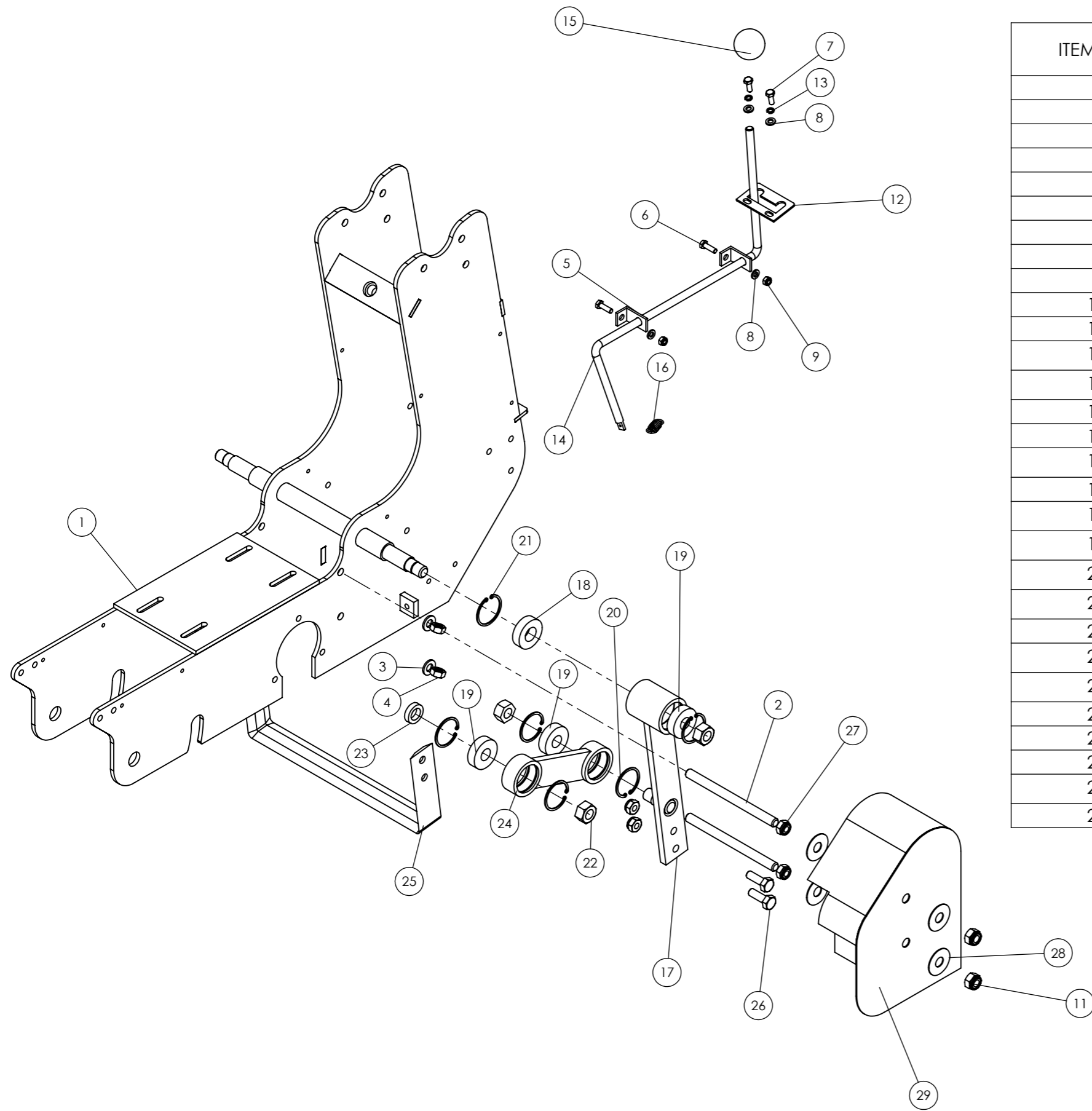
08/07

SERIAL NUMBER

20699

REVISION

C



ITEM NO.	PartNo	DESCRIPTION	QTY.
1	12018	Chassis	1
2	12102	Stud	2
3	31411105	Washer	2
4	31211100	Nut	2
5	12061	Bracket	2
6	31112093	Bolt	2
7	31112090	Bolt	2
8	31411064	Washer	4
9	31241060	Nut	2
10	31241100	NYLOC	2
11	31231160	NYLOC	2
12	12063	Gear selector plate	1
13	60079	split washer	2
14	12060	Selector lever	1
15	45280	Knob	1
16	60069	Jockey spring	1
17	200820	Blade arm	1
18	37112203	Bearing	1
19	37112171	Bearing	3
20	35111040	Circlip	5
21	35111042	Circlip	1
22	31231160	Nut	3
23	080007100	7mm Spacer	1
24	12097	Connecting rod	1
25	200918	Blade	1
26	31112211	Bolt	2
27	31241100	NYLOC	2
28	60029	M12 Penny washer	4
29	12101	LH cover	1

Left Hand Drivetrain

CAMON TC07 Turf Cutter

VALID FROM

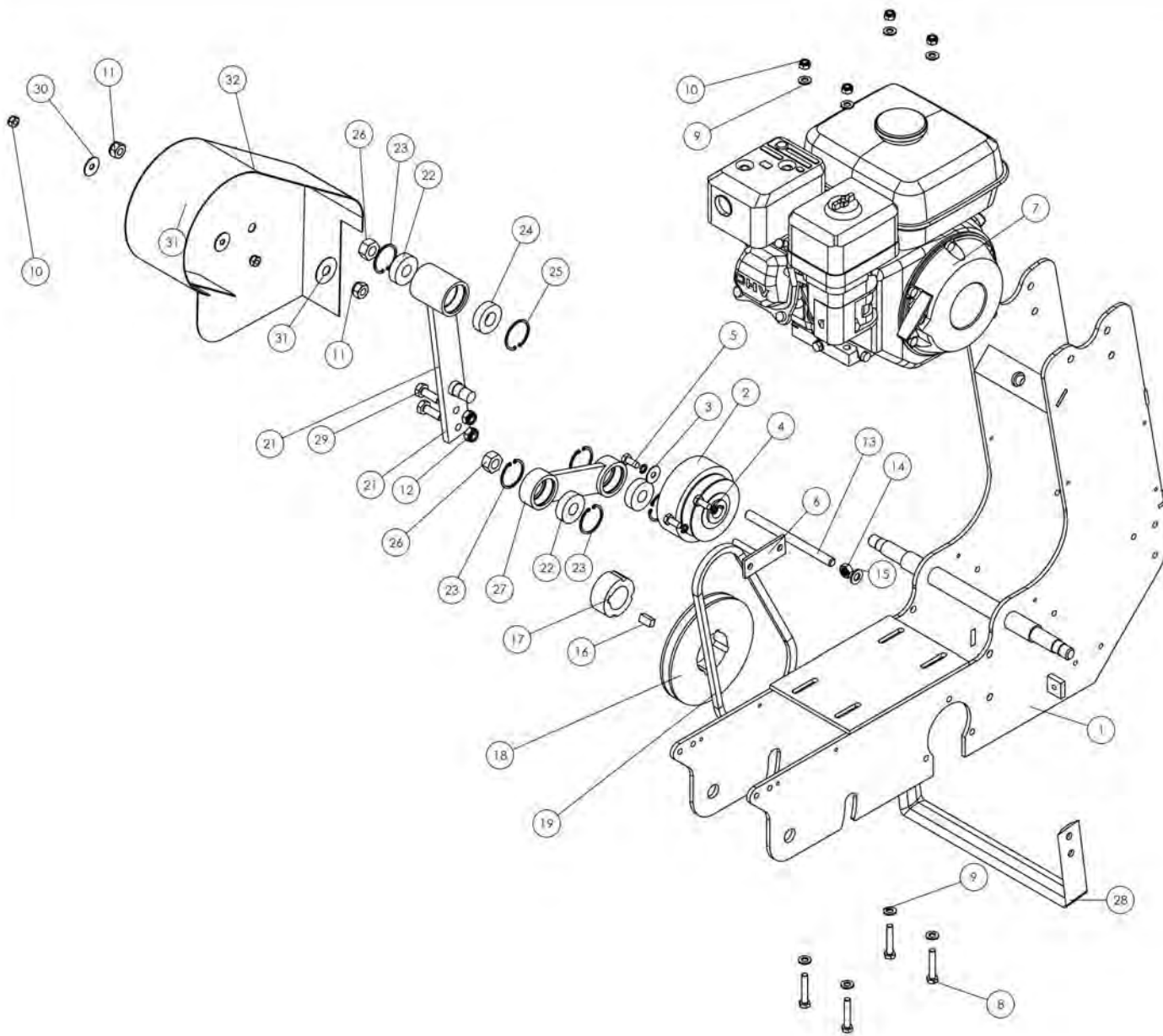
08/07

SERIAL NUMBER

20699

REVISION

C



ITEM NO.	PART NO.	DESCRIPTION	QTY.
1	12018	Chassis	1
2	60064	Centrifugal Clutch	1
3	60065	Penny washer	1
4	60075	Split washer	3
5	31100003	Hex Bolt	3
6	12100	Cover bracket	1
7	GX160UTQX4	Engine	1
8	31112155	Hex Bolt	4
9	31411105	Washer	8
10	31241080	Nyloc	6
11	31231160	Nyloc	2
12	31241100	Nyloc	2
13	12102	Stud	1
14	31211100	Nut	1
15	31411105	Washer	1
16	203813	Key	1
17	202012B	Bush	1
18	202012P	Pulley	1
19	203111	Belt	1
20	080007100	7mm Spacer	1
21	200820	Blade arm	1
22	37112171	Bearing	3
23	35111040	Circlip	5
24	37112203	Bearing	1
25	35111042	Circlip	1
26	31231160	Nut	3
27	12097	Connecting rod	1
28	200918	Blade	1
29	31112211	Bolt	2
30	90947	Penny Washer	2
31	60029	M12 Penny washer	2
32	12104	RH cover	1

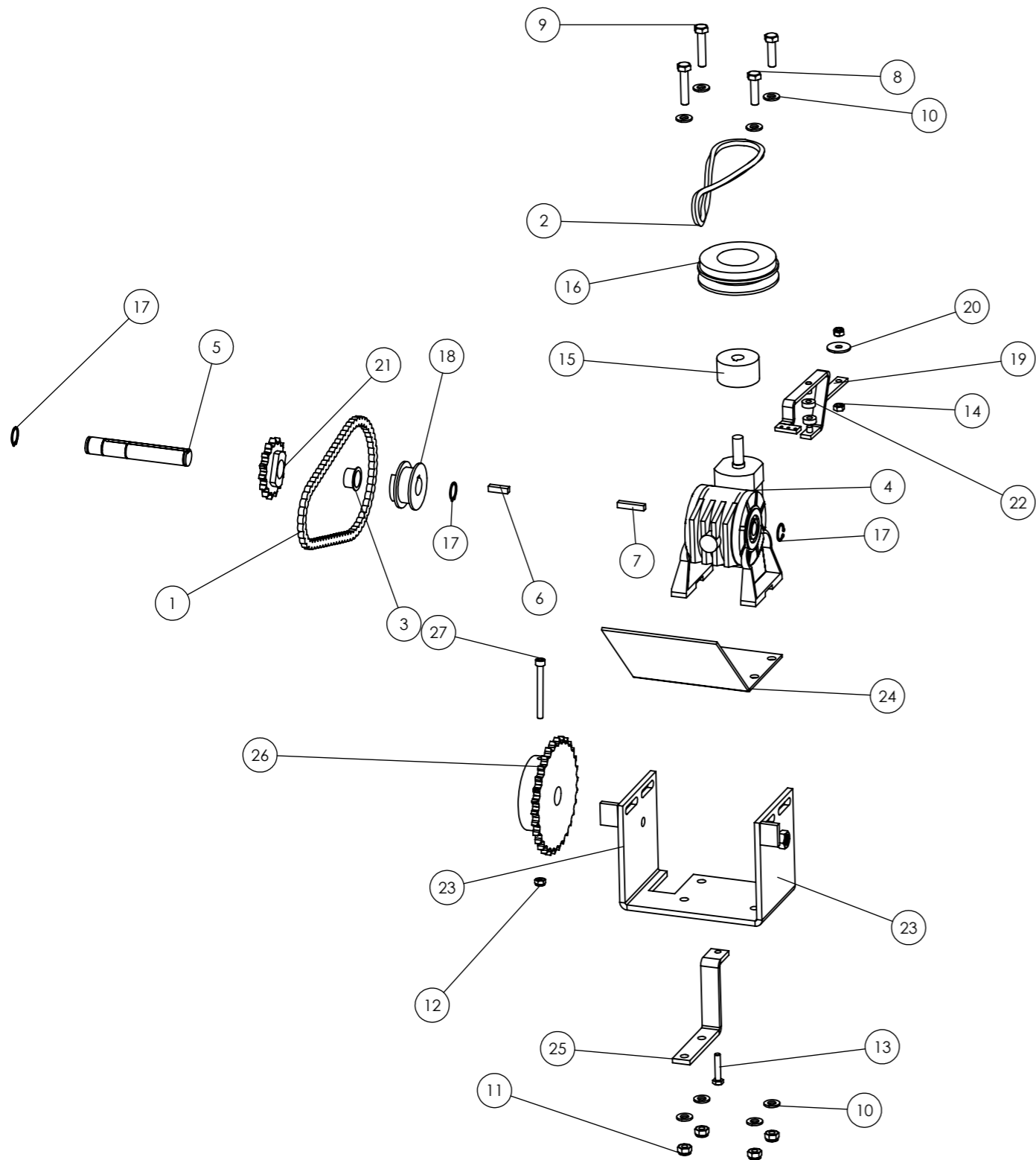
Right Hand Drivetrain

CAMON TC07 Turf Cutter

VALID FROM 08/07

SERIAL NUMBER 20699

REVISION C



ITEM NO.	PartNo	DESCRIPTION	QTY.
1	12057	Chain	1
2	12088	Belt	1
3	12110	Bush	1
4	12072	Gearbox	1
5	12067	Clutch shaft	1
6	12068	Key 6x6x22	1
7	12069	Key 6x6x30	1
8	31112152	Hex Bolt	2
9	31112154	Hex Bolt	2
10	31411105	Washer	8
11	31241080	Nyloc	4
12	31241060	Nut	2
13	31211060	Nut	1
14	31211060	Nut	1
15	12070b	Bush	1
16	12070p	Pulley	1
17	12073	Circlip ext 18mm	4
18	12059	Sliding Dog	1
19	12066	Clutch lever	1
20	60027	Washer	1
21	12058	Driven sprocket	1
22	12065	bearing	2
23	12071	Mounting bracket	1
24	10111	Grass gaurd	1
25	12082	Lever bracket	1
26	12056	Driven sprocket	1
27	12077	Bolt	1

Gearbox Assembly

CAMON TC07 Turf Cutter

VALID FROM

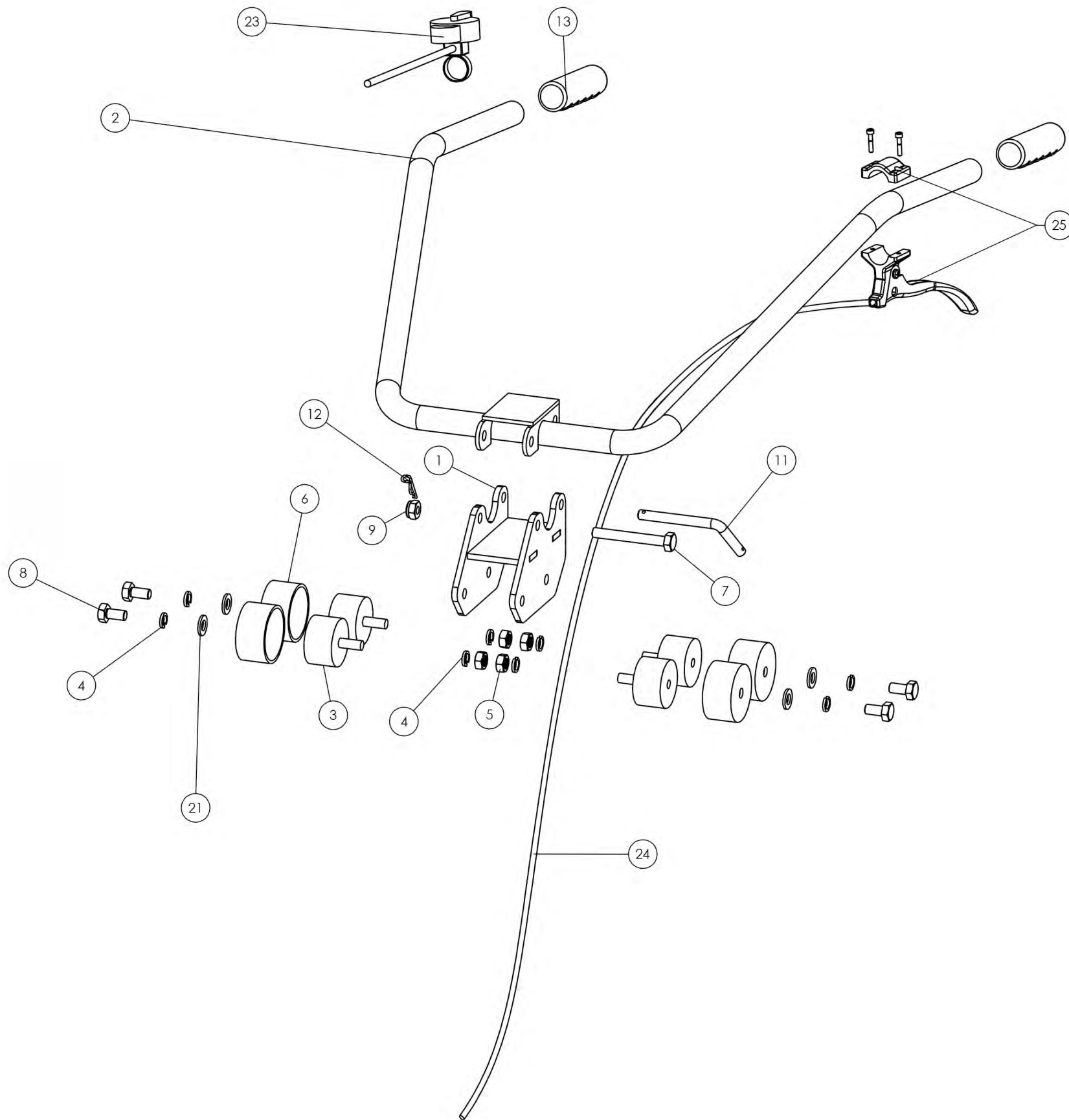
08/07

SERIAL NUMBER

20699

REVISION

C



ITEM NO.	PartNo	DESCRIPTION	QTY.
1	12105	Bracket	1
2	12039	Handle bars	1
3	12031	Rubber Mount	4
4	TCLAWS1	Split washer	8
5	31211100	Nut	4
6	12029	Mount Cap	4
7	31112217	Hex Bolt	1
8	31112210	Bolt	4
9	31241100	Nyloc	1
11	203401	Adjuster pin	1
12	58050533	Clip	1
13	58048000	Grip	2
21	31411105	Washer	4
23	12999	On Off Switch / Throttle	1
24	12998	Control lever and cable	1
25	12998-1	Lever Assembly	1

Handlebar Assembly
CAMON TC07 Turf Cutter

VALID FROM	08/07
SERIAL NUMBER	20699
REVISION	C