



Tracmaster Ltd
Tel: +44 (0) 144 247689

www.camon.co.uk

Parts Diagrams

CAMON C2000 Tiller

VALID FROM

Jan 2010

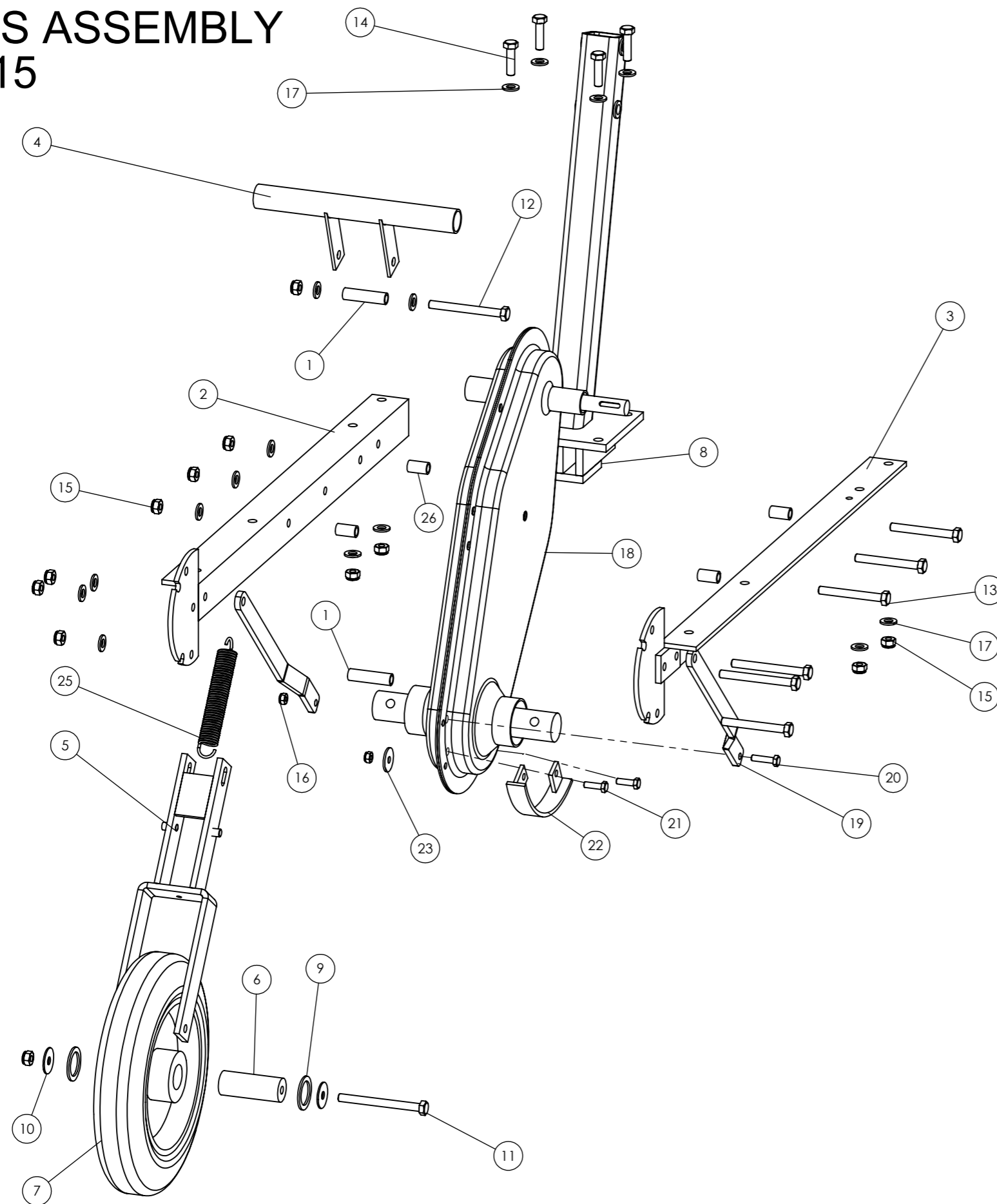
SERIAL NUMBER

A02-23000

REVISION

B

CHASSIS ASSEMBLY PRE 2015



ITEM NO.	PartNo	DESCRIPTION	QTY.
1	25037027	46mm spacer	2
2	25022003	RH Chassis frame	1
3	25021006	LH Chassis Frame	1
4	25038021	Handle	1
5	25013021	Wheel Bracket	1
6	25030023	Bush	1
7	25029022	Wheel	1
8	25003009	Handle bar stem	1
9	25037030	Dust cap	2
10	90947	Penny Washer	2
11	31112158	Hex Bolt	1
12	31112162	Hex Bolt	3
13	31112158	M8 Hex Hd Screw	4
14	31112152	Hex Bolt	4
15	31241080	Nyloc	12
16	31241060	Nut	3
17	31411105	Washer	16
18	25130500	Gearbox Assembly	1
19	25024005	Stay bar	2
20	31112089	Bolt	1
21	31112093	Bolt	2
22	25004229	Guard	1
23	60027	Washer	2
24	31211060	Nut	1
25	22446180	Spring	1
26	25016004	Spacer	4

Tracmaster Ltd
Tel: +44 (0) 144 247689

www.camon.co.uk

Parts Diagrams

CAMON C2000 Tiller

VALID FROM

Jan 2010

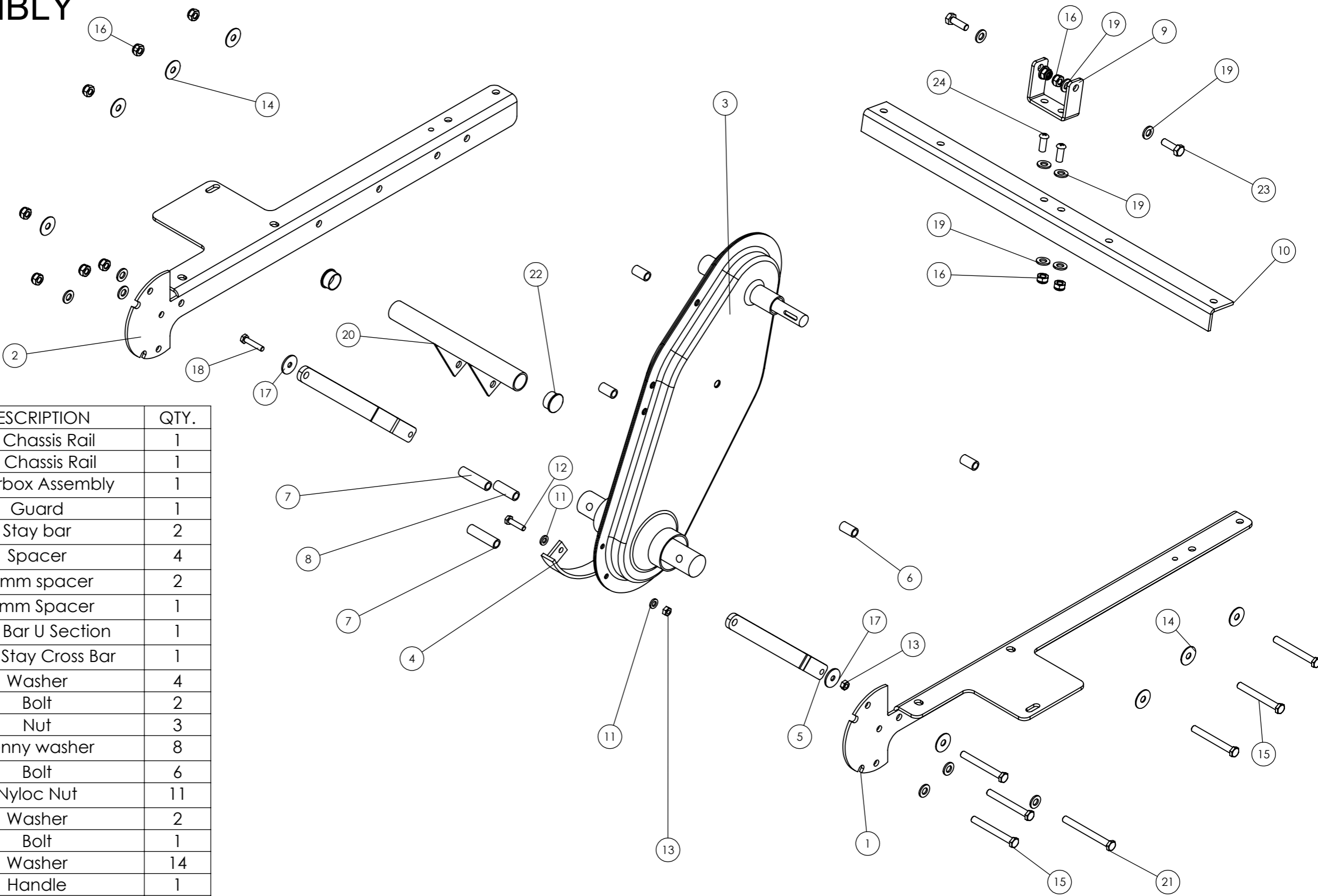
SERIAL NUMBER

A02-23000

REVISION

B

CHASSIS ASSEMBLY FROM 2015



ITEMNO.	PartNo	DESCRIPTION	QTY.
1	25022005	LH Chassis Rail	1
2	25022004	RH Chassis Rail	1
3	25130500	Gearbox Assembly	1
4	25004229	Guard	1
5	25024005	Stay bar	2
6	25016004	Spacer	4
7	25037027	46mm spacer	2
8	25042265	34mm Spacer	1
9	25004028	Stay Bar U Section	1
10	25004027	Rear Stay Cross Bar	1
11	31411064	Washer	4
12	31112093	Bolt	2
13	25445768	Nut	3
14	60065	Penny washer	8
15	31112093	Bolt	6
16	31241080	Nyloc Nut	11
17	60027	Washer	2
18	31112093	Bolt	1
19	31411105	Washer	14
20	25038021	Handle	1
21	31112093	Bolt	1
22	EndCap	End Cap	2
23	31112154	Hex Bolt	2
24	M8x20	Button Head Bolt	2

Tracmaster Ltd
Tel: +44 (0) 144 247689

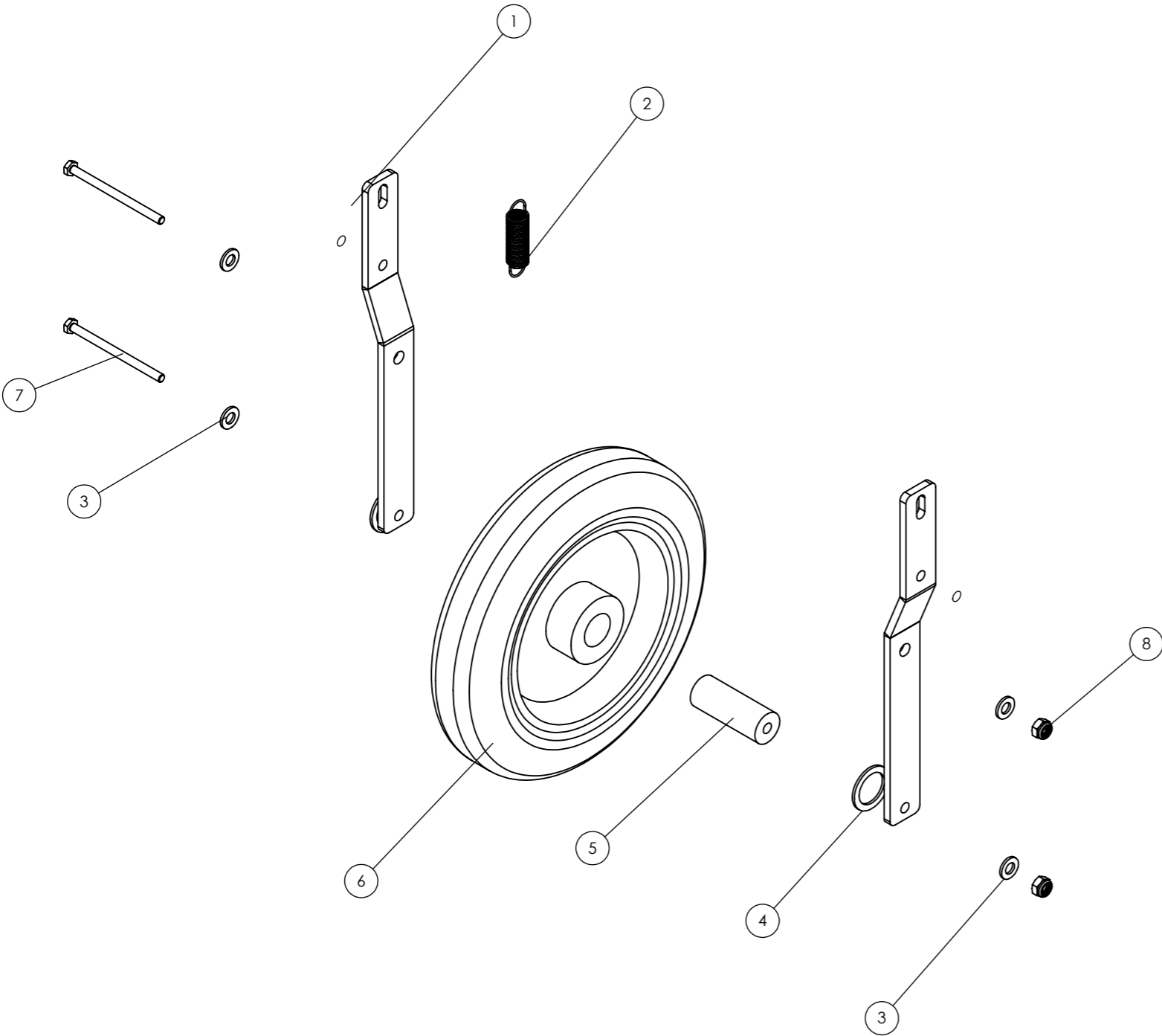
www.camon.co.uk

Parts Diagrams

CAMON C2000 Tiller

VALID FROM	Jan 2010
SERIAL NUMBER	A02-23000
REVISION	B

WHEEL BRACKET FROM 2015



ITEM NO.	PART NUMBER	DESCRIPTION	QTY.
1	25022006	Wheel Bracket Side	2
2	25027012	Tension Spring	1
3	31411084	Washer	4
4	25037030	Dust cap	2
5	25030023	Bush	1
6	25029022	Wheel	1
7	31111164	Bolt	2
8	31241080	Nyloc Nut	2

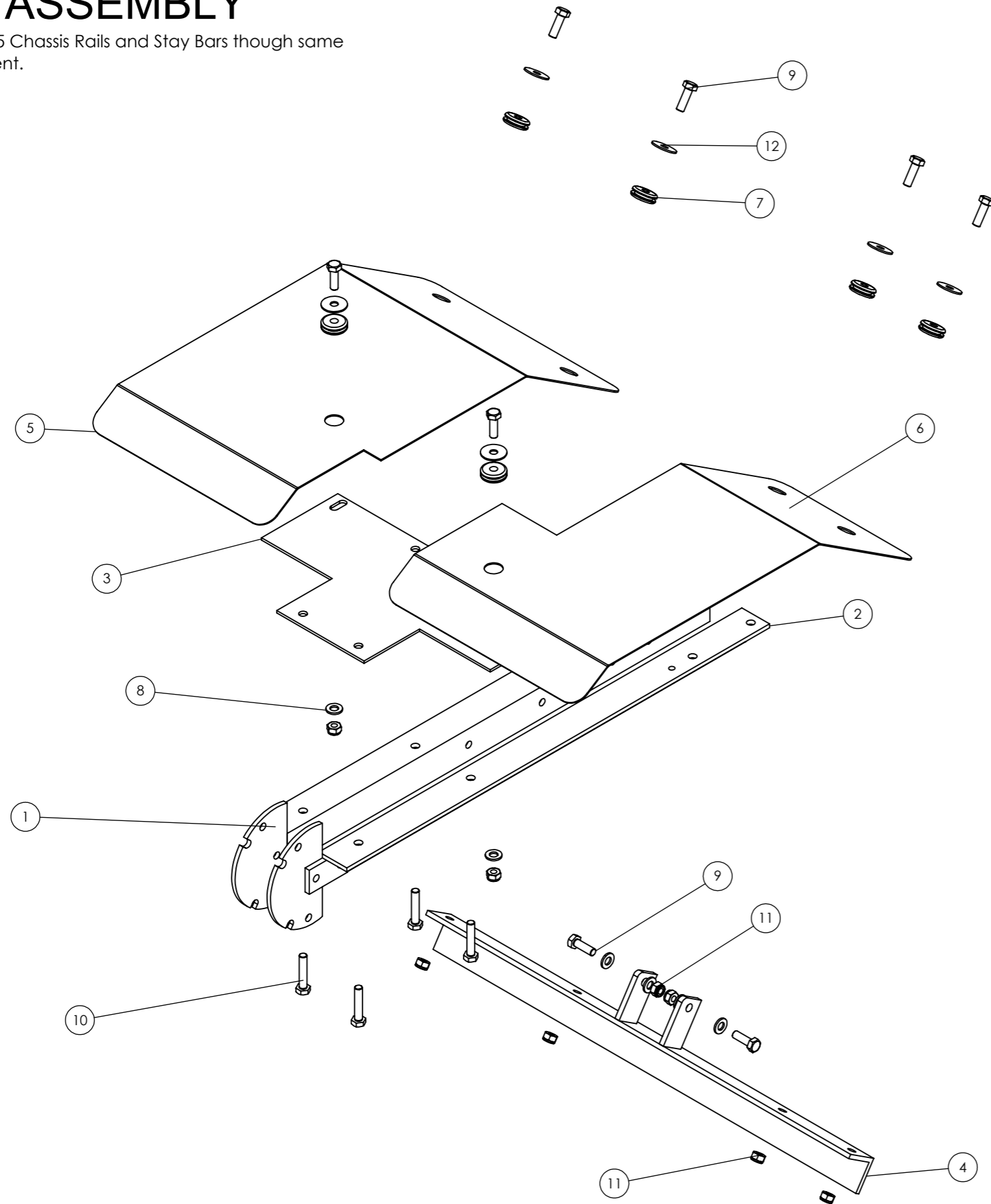
Tracmaster Ltd
 Tel: +44 (0) 144 247689
 www.camon.co.uk

Parts Diagrams
CAMON C2000 Tiller

VALID FROM	Jan 2010
SERIAL NUMBER	A02-23000
REVISION	B

GUARD ASSEMBLY

Shown with Pre 2015 Chassis Rails and Stay Bars though same guards are still current.



ITEM NO.	PartNo	DESCRIPTION	QTY.
1	25022003	RH Chassis frame	1
2	25021006	LH Chassis Frame	1
3	25020018	Base Plate	1
4	25004027	Stay Bar	1
5	25006002	RH Guard	1
6	25005007	LH Guard	1
7	58056991	Grommet	6
8	31411105	Washer	6
9	31112151	Hex Bolt	8
10	31112154	Hex Bolt	4
11	31241080	Nyloc	8
12	90947	Penny Washer	6

Tracmaster Ltd
Tel: +44 (0) 144 247689

www.camon.co.uk

Parts Diagrams

CAMON C2000 Tiller

VALID FROM

Jan 2010

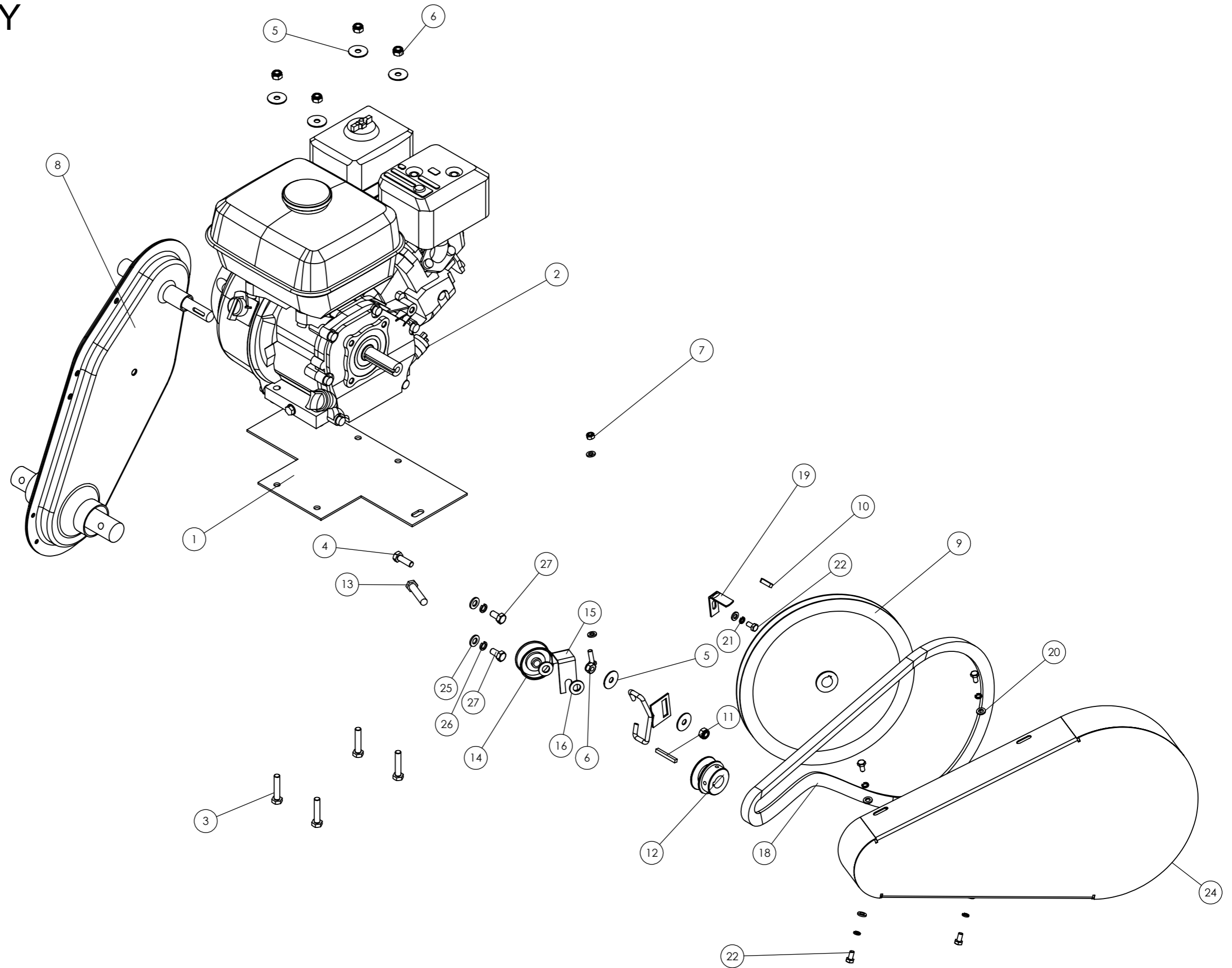
SERIAL NUMBER

A02-23000

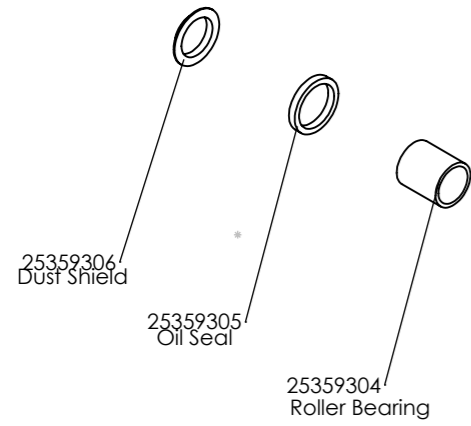
REVISION

B

ENGINE ASSEMBLY



INNER GEARBOX PARTS



Gasket Part No. 25336674

Tracmaster Ltd
Tel: +44 (0) 144 247689

www.camon.co.uk

Parts Diagrams

CAMON C2000 Tiller

VALID FROM

Jan 2010

SERIAL NUMBER

A02-23000

REVISION

B

ENGINE ASSEMBLY PARTS LIST

ITEM NO.	PartNo	DESCRIPTION	QTY.
1	25020018	Base Plate	1
2	GX160	Engine	1
3	31112154	Hex Bolt	4
4	31112151	Hex Bolt	1
5	90947	Penny Washer	6
6	31241080	Nyloc	6
7	31241060	Nut	1
8	25130500	Gearbox Assembly	1
9	25336672	Driven pulley	1
10	25463017	Woodruff Key	1
11	56356165	Key	1
12	25271686	Engine pulley	1
13	40038	Bolt 3/8" UNF x 1 1/2"	1
14	60028	Jockey wheel	1
15	25359292	Jockey guide	1
16	31411105	Washer	2
17	25042268	Belt Guide	1
18	25028	Belt	1
19	25042264	Guide	1
20	31411064	Washer	7
21	60079	split washer	5
22	31112082	Bolt	5
23	31112093	Bolt	1
24	25012017	Belt Guard	1
25	31411105	Washer	2
26	60075	Split washer	2
27	31111151	Hex Bolt	2

Tracmaster Ltd
Tel: +44 (0) 144 247689

www.camon.co.uk

Parts Diagrams

CAMON C2000 Tiller

VALID FROM

Jan 2010

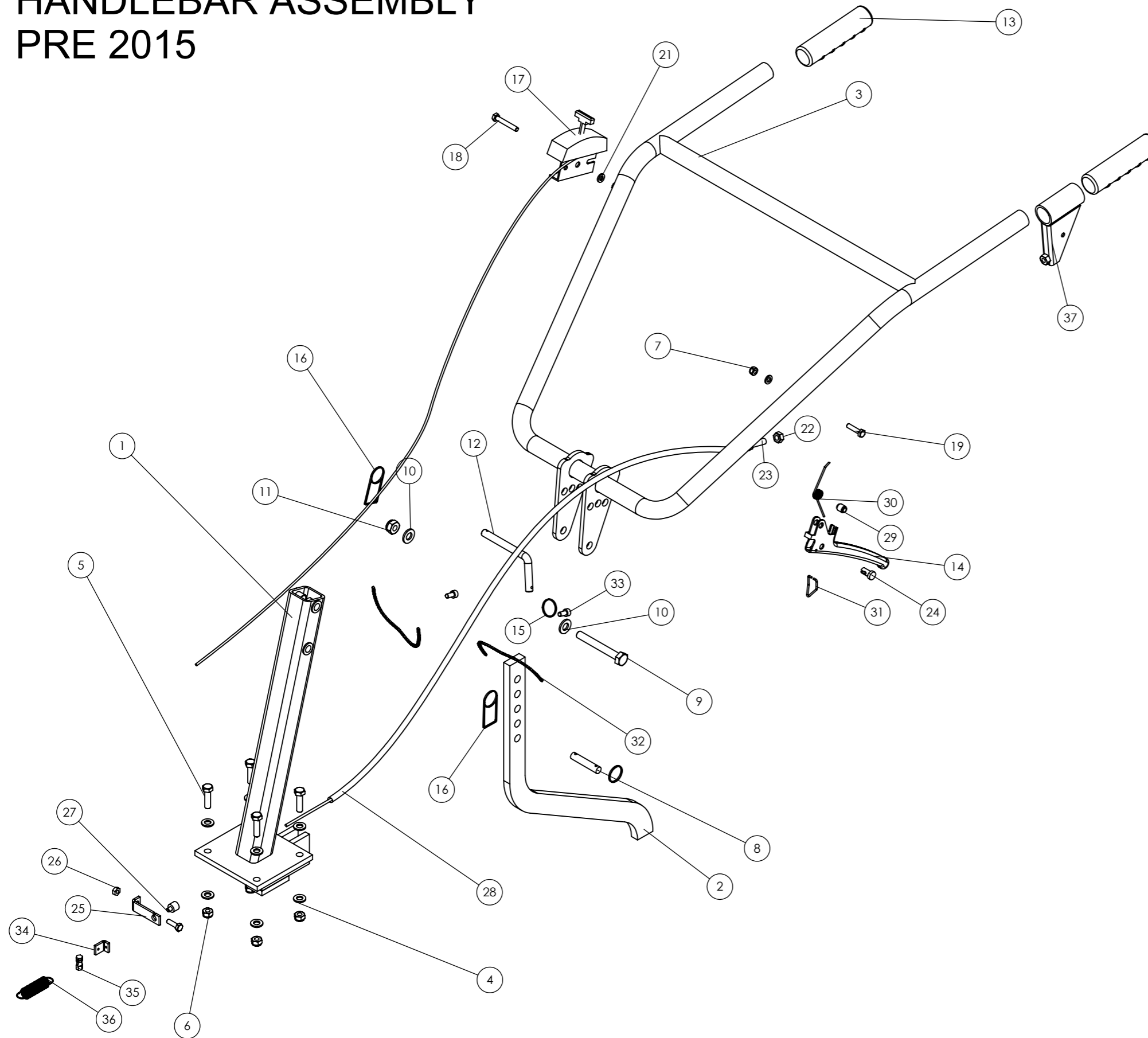
SERIAL NUMBER

A02-23000

REVISION

B

HANDLEBAR ASSEMBLY PRE 2015



ITEM NO.	PartNo	DESCRIPTION	QTY.
1	25003009	Handle bar stem	1
2	25007015	Drag bar	1
3	25010008	Handle bar	1
4	31411105	Washer	8
5	31112152	Hex Bolt	4
6	31241080	Nyloc	4
7	31241060	Nut	2
8	25025010	Clevis pin	1
9	31112217	Hex Bolt	1
10	31411105	Washer	2
11	31241100	Nyloc	1
12	203401	Adjuster pin	1
13	25010003	Grip	2
14	56147655	Operating Lever	1
15	A920200-017	Key Ring	2
16	a920200-016	Clip	2
17	17613	Throttle Lever & Cable	1
18	31112091	Bolt	1
19	31112089	Bolt	1
20	31112093	Bolt	1
21	31411064	Washer	2
22	31211080	Nut	1
23	58042202	Adjuster	1
24	58150313	Trunnion	1
25	25037029	Cable anchor	1
26	25445768	Nut	1
27	58042167	Reducer	1
28	58057286	Drive cable	1
29	56150361	Spacer	1
30	58050345	Spring	1
31	58051670	Locking Pin	1
32	25039029	Chain	2
33	60031	Bolt	2
34	25014013	Cable Bracket	1
35	58002429	Clamp	1
36	25027012	Tension Spring	1
37	25008	Lever Bracket	1

Tracmaster Ltd
Tel: +44 (0) 144 247689

www.camon.co.uk

Parts Diagrams

CAMON C2000 Tiller

VALID FROM

Jan 2010

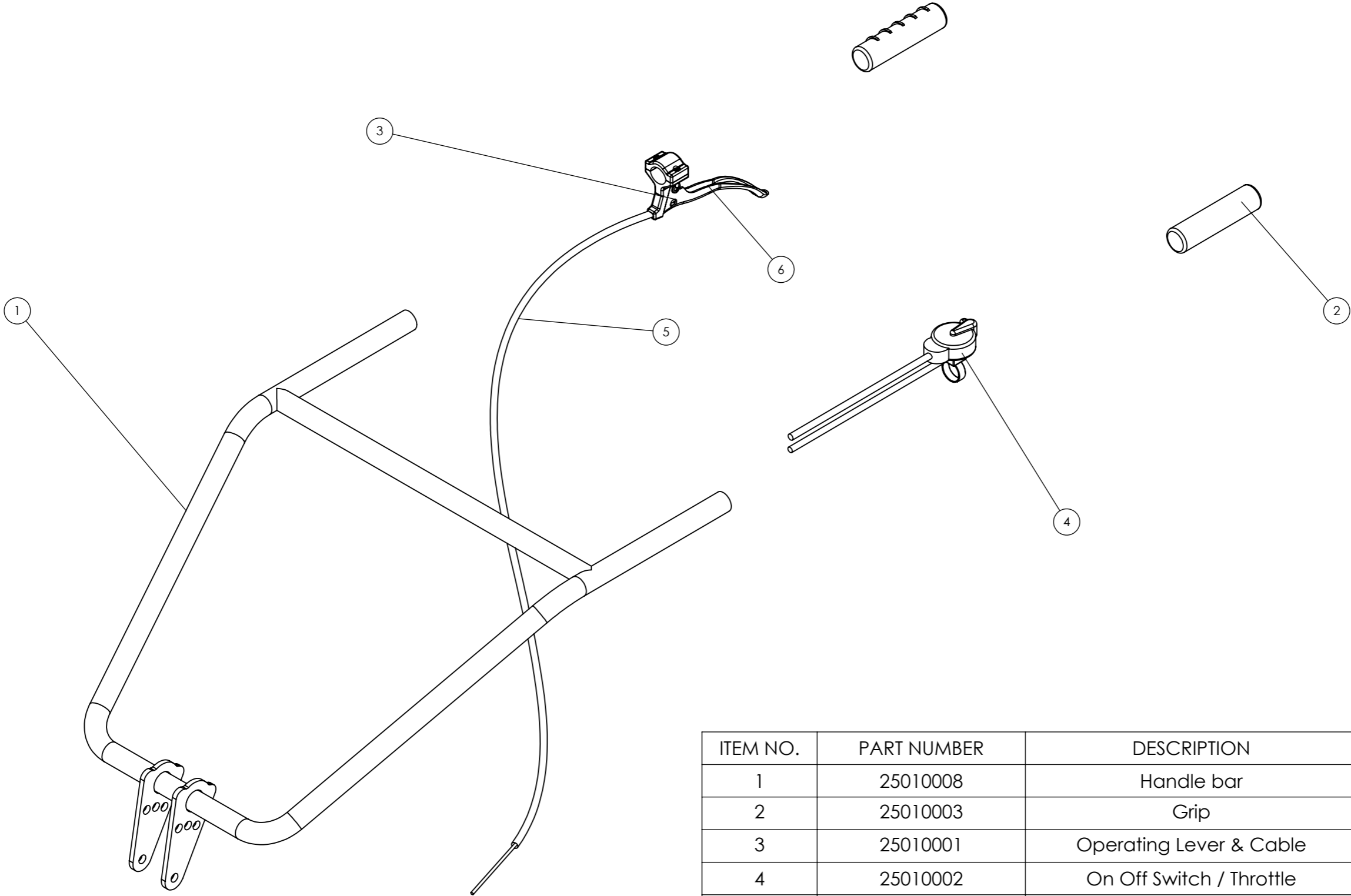
SERIAL NUMBER

A02-23000

REVISION

B

HANDLEBAR ASSEMBLY FROM 2015



ITEM NO.	PART NUMBER	DESCRIPTION	QTY.
1	25010008	Handle bar	1
2	25010003	Grip	2
3	25010001	Operating Lever & Cable	1
4	25010002	On Off Switch / Throttle	1
5	25010001-2	Cable	1
6	2501001-1	Lever	1

Tracmaster Ltd
Tel: +44 (0) 144 247689

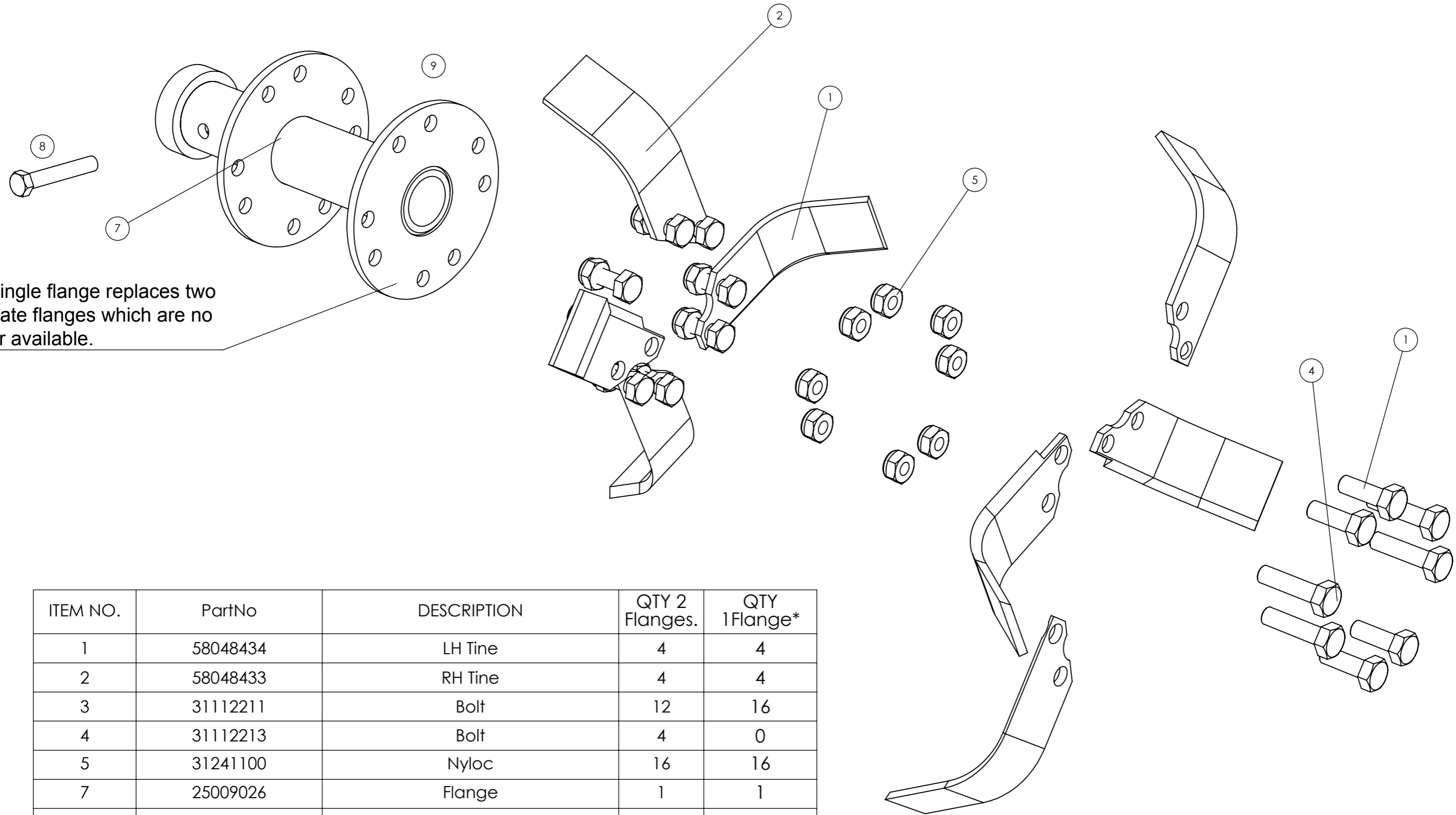
www.camon.co.uk

Parts Diagrams

CAMON C2000 Tiller

VALID FROM	Jan 2010
SERIAL NUMBER	A02-23000
REVISION	B

TINE ASSEMBLY



The single flange replaces two separate flanges which are no longer available.

ITEM NO.	PartNo	DESCRIPTION	QTY 2 Flanges.	QTY 1 Flange*
1	58048434	LH Tine	4	4
2	58048433	RH Tine	4	4
3	31112211	Bolt	12	16
4	31112213	Bolt	4	0
5	31241100	Nyloc	16	16
7	25009026	Flange	1	1
8	250045	Bolt 3/8 UNF x 2 1/4	1	1

*QTY 1 Flange refers to customers who require parts for the two separate flange system that has been replaced by a single 1 flange part.

Tracmaster Ltd
Tel: +44 (0) 144 247689

www.camon.co.uk

Parts Diagrams

CAMON C2000 Tiller

VALID FROM

Jan 2010

SERIAL NUMBER

A02-23000

REVISION

B