

Illustrated Parts Manual

**Holman 30**

Deutz F2L1011F Engine  
Portable Compressor

ILLUSTRATED PARTS  
MANUAL

**HOLMAN 30**

DEUTZ F2L1011F  
POWERED COMPRESSOR

## ORDERING PARTS

WHEN ORDERING YOU ARE ASKED TO ADOPT THE FOLLOWING PROCEDURE:

1. GIVE THE SERIAL NUMBER AND SYMBOL OF THE MACHINE.
2. QUOTE THE PART NUMBER, PART NAME AND NUMBER OF PARTS REQUIRED.
3. SPECIFY HOW DELIVERY IS TO BE MADE.

QUERIES ABOUT THE OPERATION OF THE MACHINE OR THIS PUBLICATION SHOULD BE ADDRESSED TO THE NEAREST COMPAIR HOLMAN REGION, COMPANY OR DISTRIBUTOR.

PLEASE QUOTE THE SERIAL NUMBER AND SYMBOL IN ALL CORRESPONDENCE.

BUILD NO. .... HOLMAN 30 - PA473A .....  
DATE: .....  
PUBLISHED 03 / 1997 .....  
REVISED .....

**NOTE:** WHILST EVERY EFFORT HAS BEEN MADE TO ENSURE THAT THE INFORMATION CONTAINED IN THIS BOOK IS UP TO DATE, IT IS POSSIBLE THAT ALL THE LATEST IMPROVEMENTS TO THE MACHINE MAY NOT BE INCLUDED IN IT.

## BESTELLUNG VON TEILEN

BEI BESTELLUNGEN BITTE WIE FOLGT VORGEHEN:

1. DIE SERIENNUMMER UND DAS SYMBOL DER MASCHINE ANGEBEN.
2. DIE TEILE-NUMMER, TEILE-BENENNUNG UND BENÖTIGTE STÜCKZAHL SPEZIFIZIEREN.
3. ANGEBEN, WIE LIEFERUNG ERFOLGEN SOLL.

FRAGEN ÜBER DEN BETRIEB DER MASCHINE ODER DIESE VERÖFFENTLICHUNG AN DIE NÄCHSTE REGIONALSTELLE, NIEDERLASSUNG ODER VERTRETUNG VON COMPAIR HOLMAN RICHTEN. BITTE BEI SCHRIFTWECHSEL STETS DIE SERIENNUMMER UND

MODELLNUMMERN. .... HOLMAN 30 - PA473A .....  
DATUM" .....  
VERÖFFENTLICHT 03 / 1997 .....  
GEÄNDERT .....

### HINWEISE:

WIR HABEN UNS NACH BESTEN KRÄFTEN BEMÜHT, DIE ANGABEN IN DIESEM BUCH AUF DEM NEUESTEN STAND ZU HALTEN, ES BESTEHT ABER DIE MÖGLICHKEIT, DAß NICHT ALLE NEUESTEN VERBESSERUNGEN AN DER MASCHINE BERÜCKSICHTIGT SIND.

## COMMANDE DE PIECES DE RECHANGE

LORS DE LA COMMANDE, PRIÈRE DE SUIVRE LA PROCÉDURE CI-DESSOUS:

1. SPÉCIFIER LE NUMÉRO DE SÉRIE ET LE SYMBOLE DE LA MACHINE.
2. CITER LE NUMÉRO DE LA PIÈCE, LE NOM DE LA PIÈCE ET LE NOMBRE DE PIÈCES DEMANDÉ.
3. SPÉCIFIER LE MODE DE LIVRAISON.

LES DEMANDES DE RENSEIGNEMENTS AU SUJET DE LA MACHINE OU DE LA PRÉSENTE PUBLICATION DEVRONT ÊTRE ADRESSÉES À LA SOCIÉTÉ OU AU DISTRIBUTEUR COMPAIR HOLMAN RÉGIONAL LE PLUS PROCHE.

PRIÈRE DE SPÉCIFIER LE NUMÉRO DE SÉRIE ET LE SYMBOLE DE LA MACHINE DANS TOUTE LA CORRESPONDANCE.

NUMEROS DE SERIE. .... HOLMAN 30 - PA473A .....  
DATE: .....  
PUBLICATION 03 / 1997 .....  
RÉVISION .....

**NOTE:** BIEN QUE NOUS NOUS SOYONS EFFORCÉS DE RASSEMBLER DANS CETTE BROCHURE LES INFORMATIONS LES PLUS RÉCENTES, IL EST POSSIBLE QUE LES TOUTES DERNIÈRES AMÉLIORATIONS N'Y SOIENT PAS INCLUSES.

## ORDINAZIONE DI PARTI DI RICAMBIO

AL MOMENTO DELL'ORDINAZIONE, SI PREGA DI ADOTTARE LA SEGUENTE PROCEDURA:

1. INDICARE IL NUMERO DI SERIE ED IL SIMBOLO DELLA MACCHINA.
2. CITARE IL NUMERO DI CATALOGO, IL NOME DEL PEZZO ED IL NUMERO DI PEZZI RICHIESTI.
3. SPECIFICARE LE MODALITÀ DI CONSEGNA.

EVENTUALI QUESITI SUL FUNZIONAMENTO DELLA MACCHINA O SU QUESTA PUBBLICAZIONE DEVONO ESSERE INDIRIZZATI ALL'UFFICIO DI ZONA, SOCIETÀ O DISTRIBUTORE COMPAIR HOLMAN PIÙ VICINO.

SI PREGA DI CITARE IL NUMERO DI SERIE E IL SIMBOLO IN TUTTA LA CORRISPONDENZA.

NUMERI COSTRUZIONE. .... HOLMAN 30 - PA473A .....  
DATA: .....  
PUBBLICAZIONE 03 / 1997 .....  
REVISIONE .....

### NOTA:

BENCHÉ SIA STATO FATTO IL POSSIBILE PER ASSICURARE CHE LE INFORMAZIONI CONTENUTE IN QUESTO MANUALE SIANO AGGIORNATE, È POSSIBILE CHE NON SIANO INCLUSI TUTTI I PIÙ RECENTI MIGLIORAMENTI APPORTATI ALLA MACCHINA.

## PEDIDO DE REPUESTOS

**CUANDO VDS. PASEN UN PEDIDO, POR FAVOR TENGAN EN CUENTA EL SIGUIENTE PROCEDIMIENTO:**

1. INDICAR EL NUMERO DE SERIE Y EL MODELO DE LA MAQUINA.
2. CITAR LA REFERENCIA DE LA PIEZA, DESCRIPCION Y CANTIDAD REQUERIDA.
3. ESPECIFICAR EL MODO DE ENVIO REQUERIDO.

CUALQUIER CONSULTA SOBRE EL FUNCIONAMIENTO DE LA MAQUINA O SOBRE ESTA PUBLICACION DEBERA SER DIRIGIDA A LA OFICINA DE COMPAIR MAS PROXIMA, O BIEN AL DISTRIBUIDOR DE LA COMPAÑIA.

POR FAVOR CITEN EL NUMERO DE SERIE Y MODELO EN TODA LA CORRESPONDENCIA.

**NUM. DE FABRICACION:** HOLMAN 30 - PA473A  
**FECHA:** .....  
**PUBLICADO:** 03 / 1997  
**REVISADO:** .....

**NOTA:** AUNQUE NOSSE HA AHORRADO NINGUN ESFUERZO PARA ASEGURAR QUE LA INFORMACION CONTENIDA EN ESTE LIBRO ESTE ACTUALIZADA, ES POSIBLE QUE ALGUNA DE LAS ULTIMAS MEJORAS REALIZADAS EN LA MAQUINA PUDIERA NO ESTAR INCLUIDA.

## ENCOMENDA DE PECAS

**SOLICITAMOS ADOPTEM O SEGUINTE PROCEDIMIENTO:**

1. INDICAR NÚMERO DE SÉRIE, MODELO E REFERÊNCIA DA MÁQUINA.
2. INDICAR REFERÊNCIA, DESIGNAÇÃO E QUANTIDADE DAS PEÇAS REQUERIDAS.
3. ESPECIFICAR MODO DE EXPEDIÇÃO.

AS CONSULTAS SOBRE OPERAÇÃO DA MÁQUINA OU SOBRE ESTE CATÁLOGO DEVEM SER DIRIGIDAS AO DISTRIBUIDOR COMPAIR HOLMAN MAIS PRÓXIMO.

FAVOR INDICAR NÚMERO DE SÉRIE MODELO E REFERÊNCIA DA MÁQUINA EM TODA A CORRESPONDÊNCIA.

**AGREGADO Nº.** ..... HOLMAN 30 - PA473A .....  
**DATA:** .....  
**PUBLICADO EM:** 03 / 1997  
**REVISTO EM:** .....

**NOTA:** EMBORA NOS TENHAMOS ESFORÇADO POR ASSEGURAR QUE A INFORMAÇÃO CONTIDA NESTE MANUAL ESTÁ ACTUALIZADA, É POSSÍVEL QUE OS ÚLTIMOS APERFEIÇOAMENTOS INTRODUIDOS NA MÁQUINA NÃO ESTEJAM AQUI INCLUIDOS.

## BESTELLEN RESERVEDELEN

**BIJ HET BESTELLEN VAN ONDERDELEN DIENS U DE VOLGENDE PROCEDURE TE VOLGEN:**

1. SERIENUMMER EN TYPE VAN DE MACHINE DOORGEVEN.
2. NOTEER HET ONDERDEEL NUMMER, OMSCHRIJVING EN AANTAL VAN DE BENODIGDE ONDERDELEN.
3. VERMELD HOE DE VERZENDING MOET PLAATSVINDEN.

VOOR VRAGEN OVER DE WERKING VAN DE MACHINE OF OVER DEZE UITGAVE DIENT U ZICH TE WENDEN TOT HET DICHTSBIJZIJNDE COMPAIR HOLMAN BEDRIJF OF DE IMPORTEUR.

VERMELD HET SERIENUMMER EN DE TYPE AANDUIDING IN ALLE CORRESPONDENTIE.

**BOUW NR.** ..... HOLMAN 30 - PA473A .....  
**DATUM.** .....  
**UITGEGEVEN.** 03 / 1997  
**HERZIEN.** .....

**LET OPI!** ER WORDT ALLES AAN GEDAAN DIT BOEK ZO ACTUEEL MOGELIJK TE HOUDEN. ECHTER HET IS MOGELIJK DAT DE LAATSTE VERBETERINGEN NOG NIET VERWERKT ZIJN.

**CAUTION:**

BEFORE ORDERING REPLACEMENT PARTS FROM THIS MANUAL PLEASE CHECK WITH THE MODIFICATION SECTION (IF INCLUDED DETAILS WILL BE AT THE REAR OF THIS PUBLICATION) FOR ANY MODIFICATIONS THAT MAY HAVE BEEN INTRODUCED SINCE THIS PUBLICATION WAS PRINTED.

**ATTENTION:**

AVANT DE COMMANDER LES PIÈCES DE RECHANGE PROVENANT DE CE MANUEL, IL EST NÉCESSAIRE DE VÉRIFIER LA PARTIE MODIFICATION (SI CELLE-CI EST INCLUSE, ELLE SE TROUVE À LA FIN DU MANUEL), LAQUELLE PEUT-ÊTRE RAJOUTÉE ULTÉRIEUREMENT.”

**HINWEIS:**

BEVOR SIE ERSATZTEILE AUS DIESEM BUCH BESTELLEN, PRÜFEN SIE BITTE IM KAPITEL “MODIFIKATIONEN” (FALLS DIES HIER ENTHALTEN IST, FINDEN SIE DAS KAPITEL AM ENDE DIESER PUBLIKATION), OB SEIT DEM DRUCK ÄNDERUNGEN Vorgenommen worden sind.

**ATTENZIONE:**

PRIMA DI OGNI ORDINE DI RICAMBI CONTROLLARE LA SEZIONE “MODIFICHE APPORTATE” CHE SE ESISTENTE SI TROVA ALLA FINE DI QUESTA PUBBLICAZIONE E CHE COMPRENDE TUTTE LE MODIFICHE INTRODOTTE FINO ALLA DATA DI PUBBLICAZIONE DEL MANUALE.

**PRECAUCION:**

ANTES DE PEDIR PIEZAS DE REPUESTO DE ESTE MANUAL, POR FAVOR CONSULTEN CON LA SECCION DE CAMBIOS, PARA CUALQUIER MODIFICACION QUE HAYA PODIDO INTRODUCIRSE DESDE QUE ESTA PUBLICACION FUE EDITADA. SI HAY ALTERACIONES, LOS DETALLES LOS ENCONTRARAN EN LA PARTE POSTERIOR DE ESTA PUBLICACION.

**ATENÇÃO:**

ANTES DE ENCOMENDAR PEÇAS A PARTIR DESTE MANUAL FAVOR VERIFICAR SE HOUE QUAISQUER MODIFICAÇÕES DESDE A SUA PUBLICAÇÃO (CASO TENHAM HAVIDO, A INFORMAÇÃO RESPECTIVA ENCONTRA-SE NO FIM DO MANUAL).

**WAARSCHUWING:**

CONTROLEER VOORDAT U ONDERDELEN UIT DIT ONDERDELENBOEK GAAT BESTELLEN OF ER GEEN MODIFICATIES VAN DIT ARTIKEL ZIJN. DE MODIFICATIES VINDT U ACHTERIN HET BOEK.

## CONTENTS

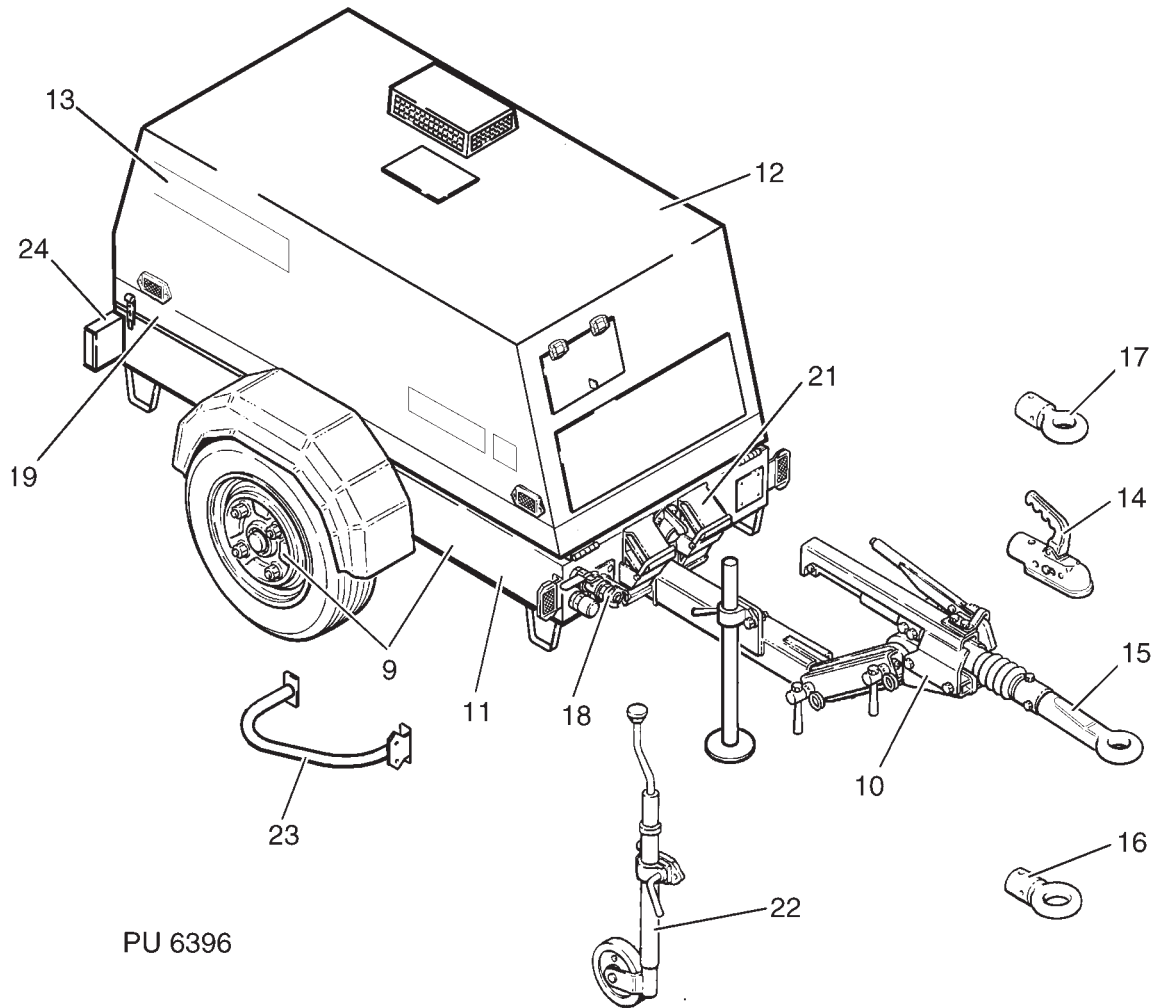
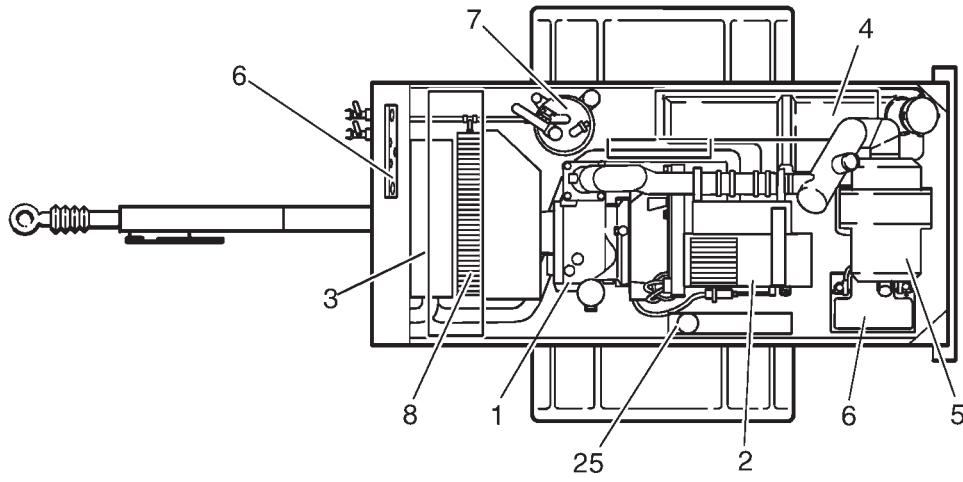
DESCRIPTION	PAGE
<b>SECTION A SPARE PARTS LIST</b>	
GENERAL VIEW AND LOCATION OF PARTS	7
COMPRESSOR UNIT COMPLETE	
AIR END AND ANCILLARIES	9
AIR END ASSEMBLY	11
ENGINE AND ACCESSORIES	13
EXHAUST ASSEMBLY	17
FUEL TANK ASSEMBLY	19
AIR FILTER ASSEMBLY	21
CONTROL PANEL / ELECTRICS ASSEMBLY	23
PRESSURE VESSEL AND ACCESSORIES	25
OIL COOLER / FAN ASSEMBLY	29
CHASSIS ASSEMBLY	31
CHASSIS TORSION BAR ASSEMBLY - AXLE & HUB <i>(STRAIGHT BRAKED &amp; DOUBLE ADJUSTABLE BRAKED)</i>	33
TOWBAR & TOWING HITCH <i>(STRAIGHT BRAKED)</i>	35
TOWBAR AND TOWING HITCH <i>(DOUBLE ADJUSTABLE BRAKED)</i>	39
CHASSIS TORSION BAR ASSEMBLY <i>(STRAIGHT UNBRAKED)</i>	43
CHASSIS TORSION BAR ASSEMBLY <i>(DOUBLE ADJUSTABLE UNBRAKED)</i>	45
BASEMOUNT	48
CANOPY ASSEMBLY	49
LOGO / SPECIFICATION AND TRAFFIC PLATES	51
AIR / OIL / FUEL PIPE CIRCUIT	55
ELECTRICAL CIRCUIT	57
ELECTRICAL CIRCUIT - ZEPPELIN	60
<b>SECTION B OPTIONAL FITTINGS</b>	<b>62</b>
TOWING LIGHTS	63
LUBRICATOR	65
<b>SECTION C ALTERNATOR OPTIONS</b>	<b>68</b>
ALTERNATOR & FITTINGS	69
ALTERNATOR PANEL & FITTINGS	71
FITTINGS - ELECTRIC CONTROL BOX	73
CIRCUIT BREAKER / TERMINAL BLOCK DETAILS	75
ELECTRICAL CIRCUITS	77
RECOMMENDED SPARES LIST	84
PARTS INFORMATION AND ORDERING PROCEDURES	85
MANUFACTURERS AND SPECIFICATION PLATES	87
SPARES KIT LISTS	90

GENERAL VIEW AND LOCATION DRAWING  
INCLUDING ALTERNATIVE & OPTIONAL PARTS

---

REF.	PART NO.	DESCRIPTION	QTY	PAGE
1		AIR END		9
2		ENGINE & ACCESSORIES		13
3		EXHAUST ASSEMBLY		17
4		FUEL TANK ASSEMBLY		19
5		AIR FILTER ASSEMBLY		21
6		CONTROL PANEL & BATTERY		23
7		PRESSURE VESSEL & ACCESSORIES		25
8		OIL COOLER / FAN ASSEMBLY		29
9		CHASSIS ASSEMBLY		31
10		CHASSIS - TORSION BAR ASSEMBLY AXLE & HUB		33
		TOWING HITCH ASSEMBLY ( <i>STRAIGHT BRAKED</i> )		35
		*TOWING HITCH ASSEMBLY ( <i>DOUBLE ADJUSTABLE BRAKED</i> ) SHOWN		39
		*TOWING HITCH ASSEMBLY ( <i>STRAIGHT UNBRAKED</i> )		43
		*TOWING HITCH ASSEMBLY ( <i>DOUBLE ADJUSTABLE UNBRAKED</i> )		45
11		BASEMOUNT ASSEMBLY		48
12		CANOPY ASSEMBLY		49
13		LOGO SPECIFICATION AND TRAFFIC PLATES		51
14	C16015-027	BALL COUPLING		8
15	C16015-028	*TOWING EYE 40mm DIN		8
16	C16015-030	*TOWING EYE 76mm NATO		8
17	C16015-026	*TOWING EYE		8
18	PT4281/17	*CLAW MALE		8
19	98380/5033	*AMBER REFLECTOR	4	8
20	A6742/0022	*SCREW - REFLECTOR	8	8
21	C16011-149	*WHEEL CHOCK & BRACKET ASSEMBLY Complete:		8
	C16011-091	*WHEEL CHOCK	2	8
	C16011-092	*MOUNTING BRACKET	2	8
	A6742/0009	*SCREW - BRACKET	8	8
22	C15447-058	*JOCKEY WHEEL		8
23	C11470-1101	*SAFETY BAR	2	8
24		*TOWING LIGHTS		63
25		*LUBRICATOR		65

\*OPTIONAL ITEMS WHERE FITTED



PU 6396



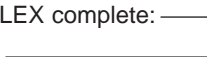

AIR END AND ANCILLARIES

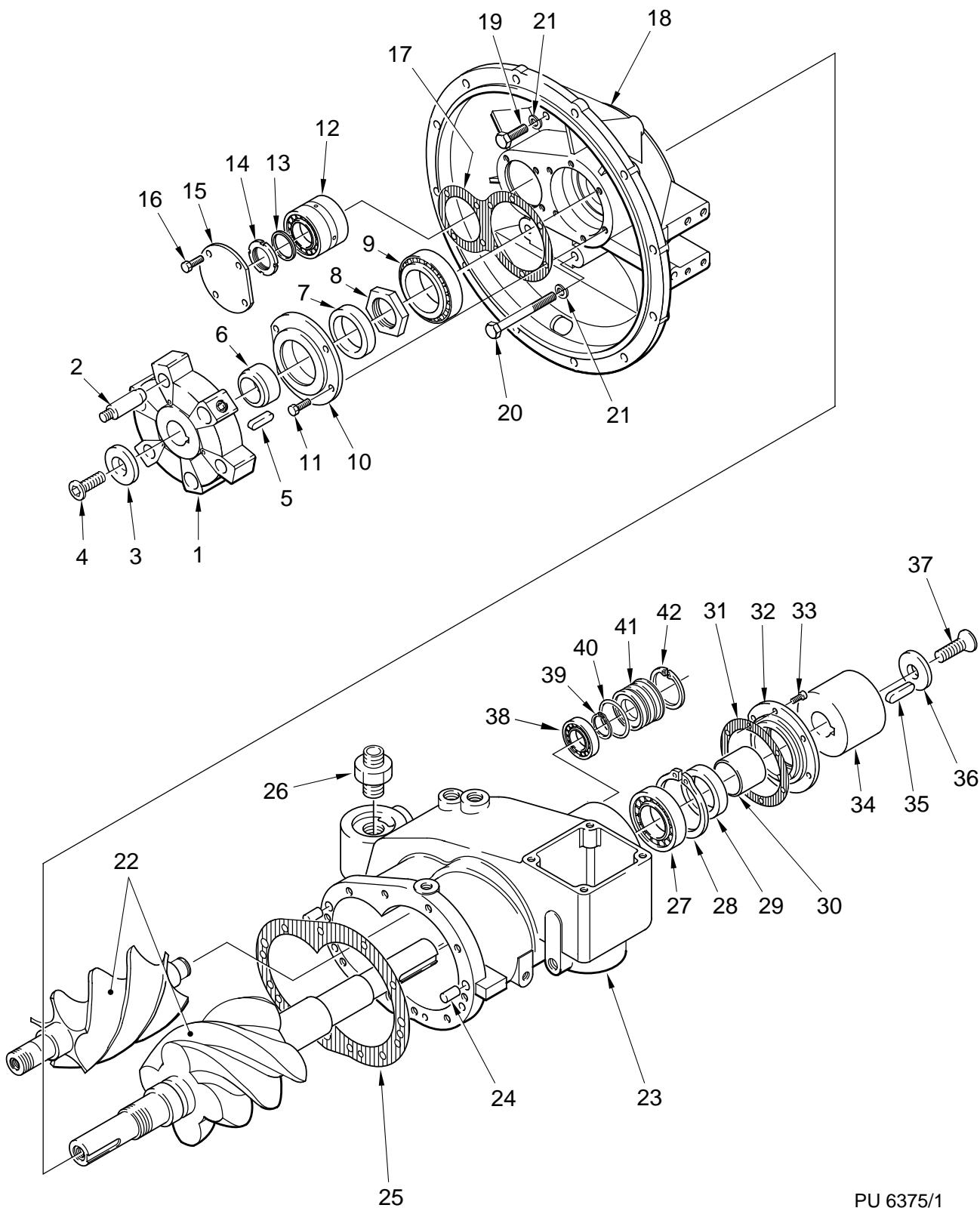
REF.	PART NO.	DESCRIPTION	QTY
1	1330P99800	AIR END ASSEMBLY (DETAILS OVERLEAF)	
	1330P99700	AIR END ASSEMBLY (SUPERGAS MODEL)	
2	1711-00410	MOUNT - COMPRESSOR R.H.	
3	1711-00390	MOUNT - COMPRESSOR L.H.	
4	95001/0283	SCREW	8
5	95179/0007	WASHER - SPRING	8
6	C16012-303	ELEMENT - OIL FILTER	
7	910030021	WASHER - BONDED SEAL	
8	98156/5368/001	NIPPLE - RESTRICTED	
9	1329-00270	COVER - INSPECTION	
10	910030032	WASHER - BONDED SEAL	
11	95420/5721	NIPPLE	
12	905001003	PLUG	
13	910030015	WASHER - BONDED SEAL	
14	95440/0604	BANJO - DOUBLE	
15	905002001	PLUG	
16	95440/0228	ELBOW	
17	905002002	PLUG	
18	95440/0580	BANJO	
19	98524/8017	SWITCH - TEMPERATURE	
20	910021003	WASHER - COPPER	
21+	98504/5604	SEAL	
22+	1704-04320	PISTON - UNLOADER	
23+	98518/5035	SPRING - COMPRESSION	
24	1326-00750	POST - UNLOADER	
25+	1329-00220	JOINT	
26+	98518/5051	SPRING - COMPRESSION	
27	1326-00740	PLUNGER - UNLOADER	
28	1704-04310	VALVE - UNLOADER	
29	1329-00290	PIPE - AIR INLET	
30	95406/0052	ELBOW	
31	98156/5334	COUPLING	
32	95001/0284	SCREW	4
33	95179/0007	WASHER - SPRING	4
34	95018/0231	SCREW	11
35	95179/0007	WASHER - SPRING	11
36	905002002	PLUG	

+ ITEMS MARKED THUS COMPRISE UNLOADER KIT CK086



AIR END ASSEMBLY

REF.	PART NO.	DESCRIPTION	QTY
1	C15465-255	COUPLING - CENTAFLEX complete: 	
2	C15465-256	COUPLING PEG 	3
3	C15448-234	PLATE - RETAINER	
4	95028/0177	SCREW	
5	95301/0021	KEY	
6	1329-00070	SEAL - SLEEVE	
7	98505/0037	SEAL - ROTARY SHAFT	
8	1326-00580	NUT LOCK	
9	96064/0028	BEARING - TAPER ROLLER	
10	1329-00050	SEAL - HOUSING	
11	95001/0228	SCREW	6
12	96058/0022	BEARING - TAPER ROLLER	
13	1330-00100	SPACER - BEARING	
14	98422/0070	LOCK NUT - R.H.	
15	1329-00060	COVER	
16	95018/0228	SCREW	4
17	1329-00210	JOINT - BEARING	
18	1329-00010	CASING	
19	95001/0284	SCREW	7
20	95007/0181	BOLT	3
21	95179/0007	WASHER - SPRING	10
22	1330A00050	ROTORS - MATCHED PAIR	
	1330A00230	ROTORS - MATCHED PAIR (SUPERGAS MODEL)	
23	1330-00020	CASING - INLET (ROTORS/UNLOADER)	
24	95502/0550	DOWEL - PIN	2
25	1329-00230	JOINT	
26	1326-00290	ADAPTOR	
27	96044/0507	BEARING	
28	95650/0080	CIRCLIP - INTERNAL	
29	98505/0038	SEAL	
30	96088/0153	BEARING	
31	1330-00210	JOINT	
32	1329-00050	SEAL - HOUSING	
33	95018/0167	SCREW	6
34	1326-00280	SPIGOT - FAN MOUNTED	
35	95301/0021	KEY	
36	C15448-234	PLATE - RETAINER	
37	95028/0177	SCREW	
38	96044/0506	BEARING - ROLLER	
39	95650/1025	CIRCLIP - EXTERNAL	
40	96500/0052	'O' RING	
41	1330-00060	PLUG	
42	95650/0055	CIRCLIP - INTERNAL	



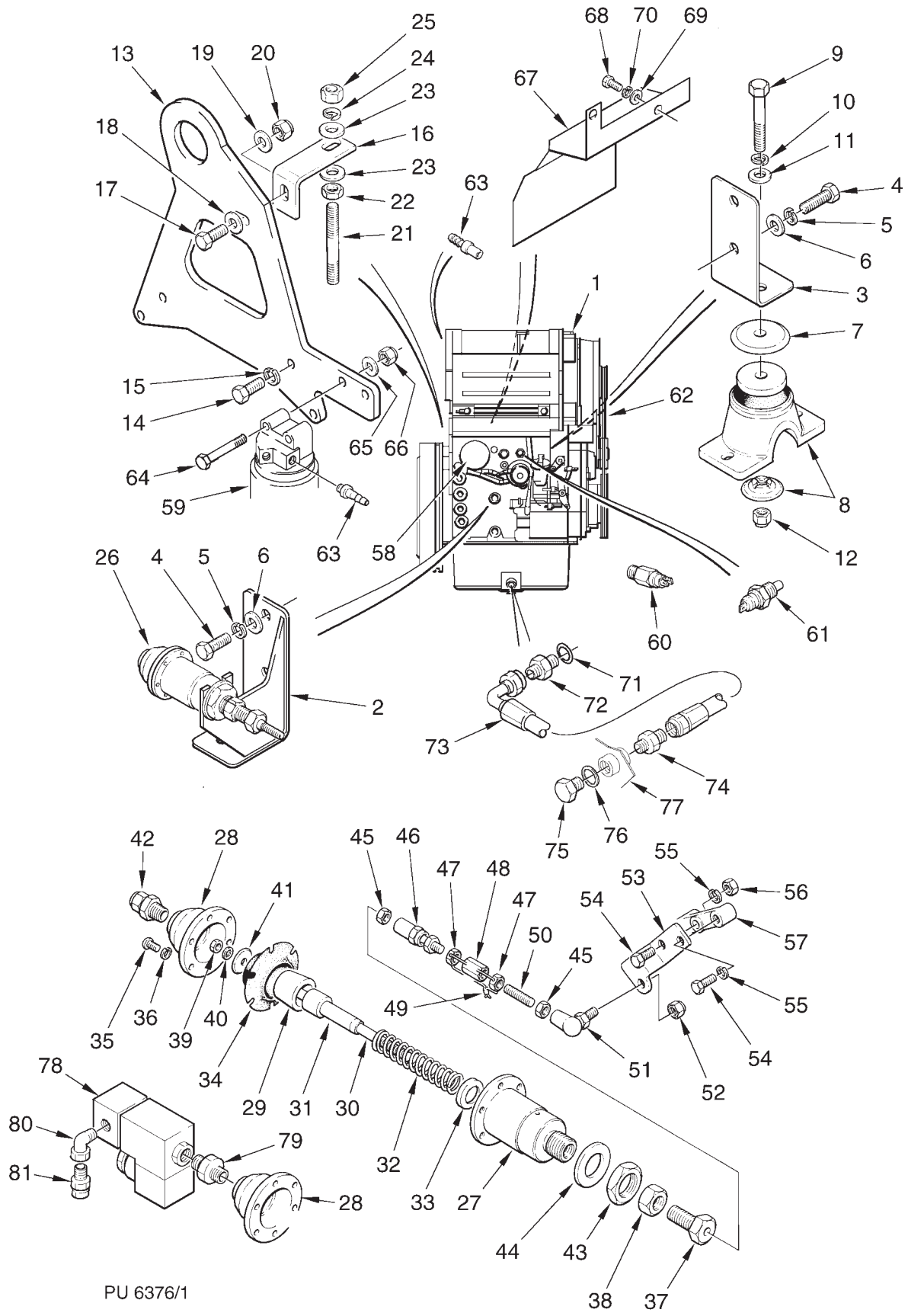
PU 6375/1

ENGINE AND ACCESSORIES

REF.	PART NO.	DESCRIPTION	QTY
1	98246/8047	ENGINE - DEUTZ F2L1011F	
2	1711-00350	MOUNT - ENGINE L.H.	
3	1711-00320	MOUNT - ENGINE R.H.	
4	98086/5015/0003	SCREW	4
5	95179/0009	WASHER - SPRING	4
6	95149/0017	WASHER	2
7	C11570-085	COVER	4
8	FLEXIBLE MOUNT	ASSEMBLY - SEE CHASSIS ASSEMBLY FOR DETAILS	
9	913001145	BOLT	4
10	910005002	WASHER - SPRING	4
11	910002008	WASHER	4
12	912003015	NUT - LOCKING	4
13	1711-00310	PLATE - LIFTING	
14	95001/0284	SCREW	4
15	95179/0007	WASHER - SPRING	4
16	1708-04750	BRACKET - LIFTING PLATE	
17	95001/0285	SCREW	
18	95149/0015	WASHER	
19	95149/0015	WASHER	2
20	95141/0008	NUT - NYLOC	
21	1708-05210	STUD	
22	95118/0007	NUT	
23	95149/0016	WASHER	2
24	95179/0008	WASHER - SPRING	
25	95118/0007	NUT	
26	1710-05560	SPEED CONTROL CYLINDER ASSEMBLY comprising:	
27	C15448-923	CYLINDER	
28	C15448-924	COVER - CYLINDER	
29	C15448-925	PISTON	
30	C15448-929	PISTON ROD	
31	1710-05570	SPACER	
32+	98518/5049	SPRING	
33	1710-05770	SPACER	
34+	98210/5004	DIAPHRAGM	
35+	A6779/0091	SCREW	6
36+	910003007	WASHER - SPRING	6
37	C10677-042	SCREW - ADJUSTING	
38	912003017	LOCKNUT	
39	912120009	NUT	
40	910007009	WASHER - SHAKEPROOF	
41	C15448-951	PLATE - DIAPHRAGM	

CONTINUED

+ ITEMS MARKED THUS ARE PART OF SPEED CONTROL KIT CK106



PU 6376/1

ENGINE AND ACCESSORIES (CONTINUED)

REF.	PART NO.	DESCRIPTION	QTY
42	95440/0084	COUPLING	
43	C10677-019	LOCKNUT	2
44	910002016	WASHER	
45	912003011	LOCKNUT	2
46+	A10300/0048	BALL COUPLING	
47	1704-03060	NUT - LOCKING	2
48	C10677-045	NUT - ADJUSTING	
49	98260/5042	WIRE - LOCKING	
	98260/5043	SEAL - LEAD	
50	C15465-333	STUD	
51+	A1413/0358	COUPLING - BALL	
52	912017004	LOCKNUT	
53	1711-00380	LEVER - SPEED CONTROL	
54	95001/0229	SCREW	2
55	95179/0005	WASHER - SPRING	2
56	95112/0004	NUT	
57*	REFERS TO ENGINE SPEED CONTROL LEVER		
58*	C16012-1032	ELEMENT - OIL FILTER	
59*	C16012-1047	FILTER - FUEL/WATER TRAP	
60*	C16012-697	SWITCH - OIL PRESSURE	
61*	C16012-698	SWITCH - OIL TEMPERATURE	
62*	C16012-1021	BELT - BLOWER	
63*		FIR TREE FITTING	2
64	95007/0152	BOLT	2
65	95149/0014	WASHER	2
66	95141/0007	NUT - NYLOC	
67	1711-00720	GUARD - STARTER MOTOR	
68	95001/0226	SCREW	2
69	98660/5019/0002	WASHER	2
70	95179/0005	WASHER - SPRING	2
71	98660/5024/0006	WASHER - COPPER	
72	1708-04880	ADAPTOR	2
73	C16066-528	HOSE ASSEMBLY	
74	95420/5872	NIPPLE	
75	95420/5804	PLUG	
76	910021003	WASHER - COPPER	
77	REFERS TO BASE - CHASSIS		
78	98652/8001	SOLENOID	MACHINES FITTED WITH ALTERNATOR
79	95406/0814	NIPPLE	
80	95406/0051	ELBOW (SOLENOID CONNECTION 2)	
81	95440/0083	COUPLING	

\* ITEMS MARKED THUS ARE SUPPLIED WITH ENGINE

+ ITEMS MARKED THUS ARE PART OF SPEED CONTROL KIT CK106



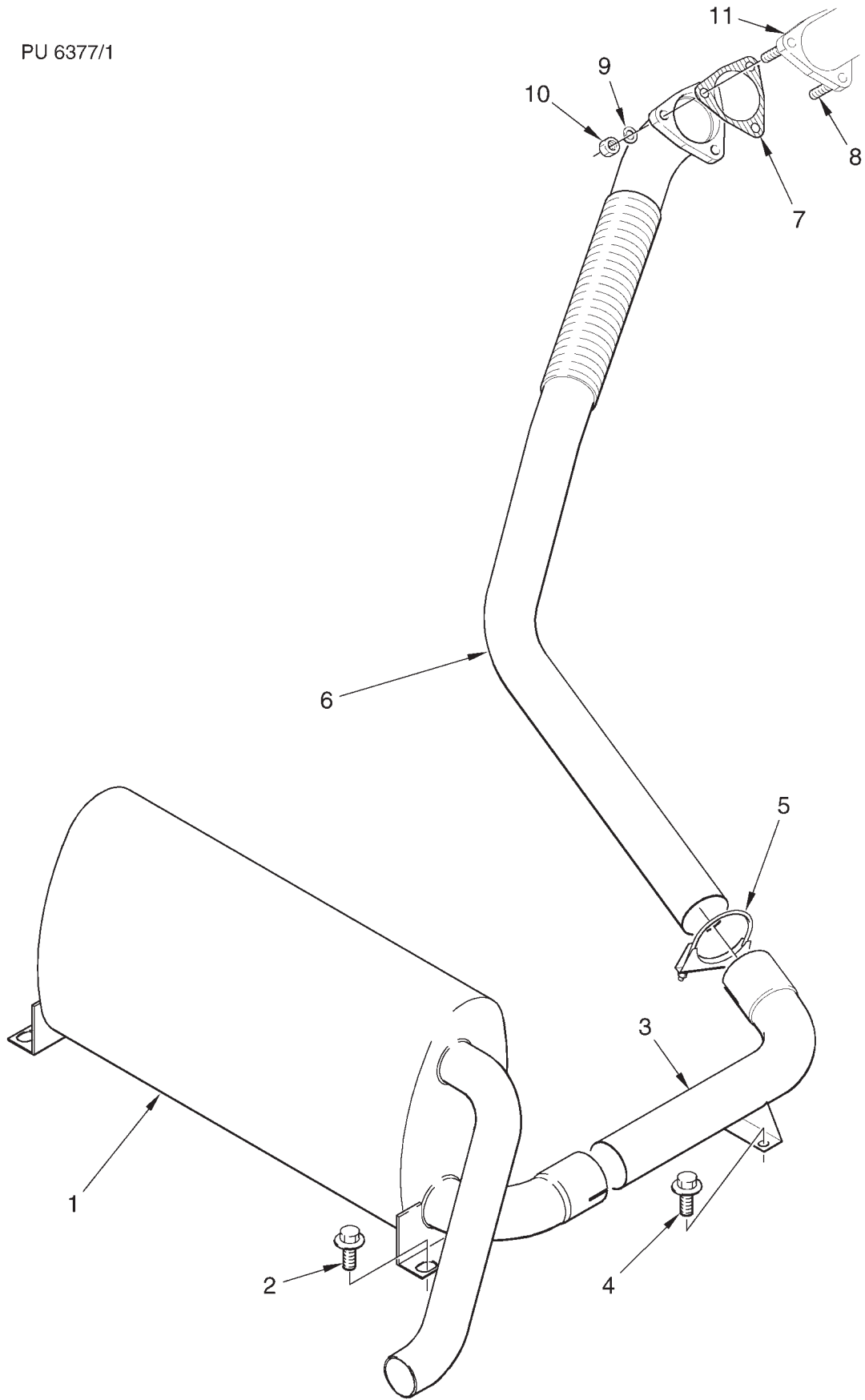


EXHAUST ASSEMBLY

---

REF.	PART NO.	DESCRIPTION	QTY
1	1711-00260	SILENCER - EXHAUST	
	1711-00260SA	SILENCER - EXHAUST (SPARK ARRESTOR)	
2	98500/5073	SCREW	4
3	1711-00250	PIPE - EXHAUST- INTERMEDIATE	
4	98500/5073	SCREW	
5	98243/8004/0010	CLAMP- EXHAUST	
6	1711-00240	PIPE - EXHAUST - FRONT	
7	C16012-699	GASKET - EXHAUST	
8	95251/0154	STUD	3
9	95179/0006	WASHER - SPRING	3
10	95114/0008	NUT	3
11	REFERS TO ENGINE EXHAUST MANIFOLD		

PU 6377/1

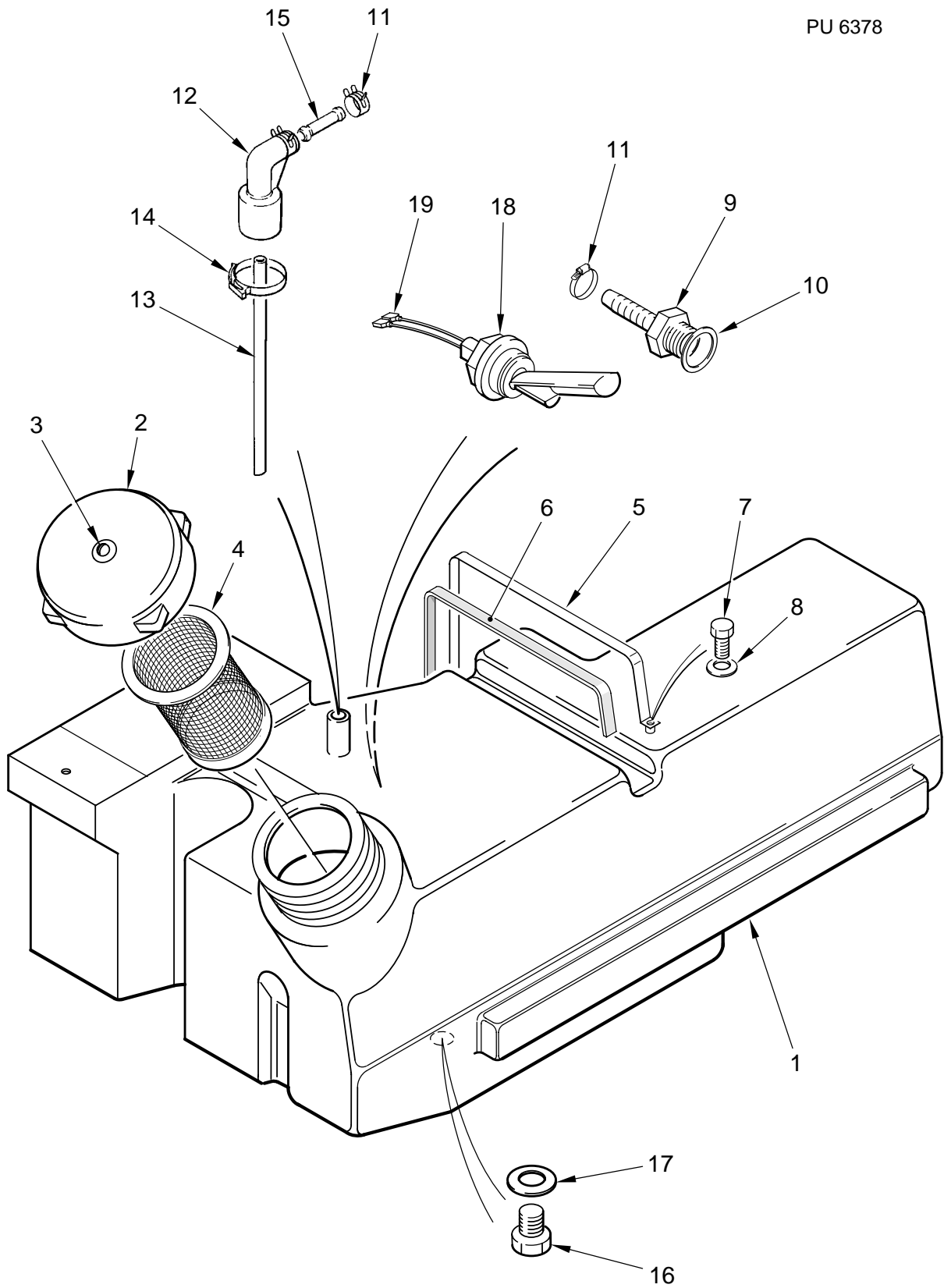


FUEL TANK ASSEMBLY

---

REF.	PART NO.	DESCRIPTION	QTY
1	1711-00430	TANK - FUEL	
	1708-03630	FILLER CAP ASSEMBLY comprising:	
2	1708-03640	CAP - FILLER INCLUDING 'O' RING	
3	95044/0388	SCREW	
	1708-03650	DISC - SEALING	
	95141/0006	NUT - NYLOC	
4	C16012-056	STRAINER - FUEL	
5	1711-00470	STRAP - FUEL TANK	
6	1708-02890	STRIP - SEALING	
7	95001/0227	SCREW	2
8	910014001	WASHER - CONICAL	2
9	98318/5012	STEM - HOSE	
10	912001003	WASHER - COPPER	
11	95370/0001	CLAMP - HOSE	2
12	HMM54151	ELBOW (FUEL RETURN)	
13	98617/8049/0028	PIPE - NYLON	
14	98150/5050/0009	CLAMP - HOSE	
15	1704-03520	PIPE - STUB	
16*	95420/5806	PLUG	
17*	910021004	WASHER - COPPER	
18	98475/8018	SWITCH - FLOAT	
19	98140/5045	TERMINAL	2

ITEMS MARKED THUS \* SUPPLIED WITH TANK

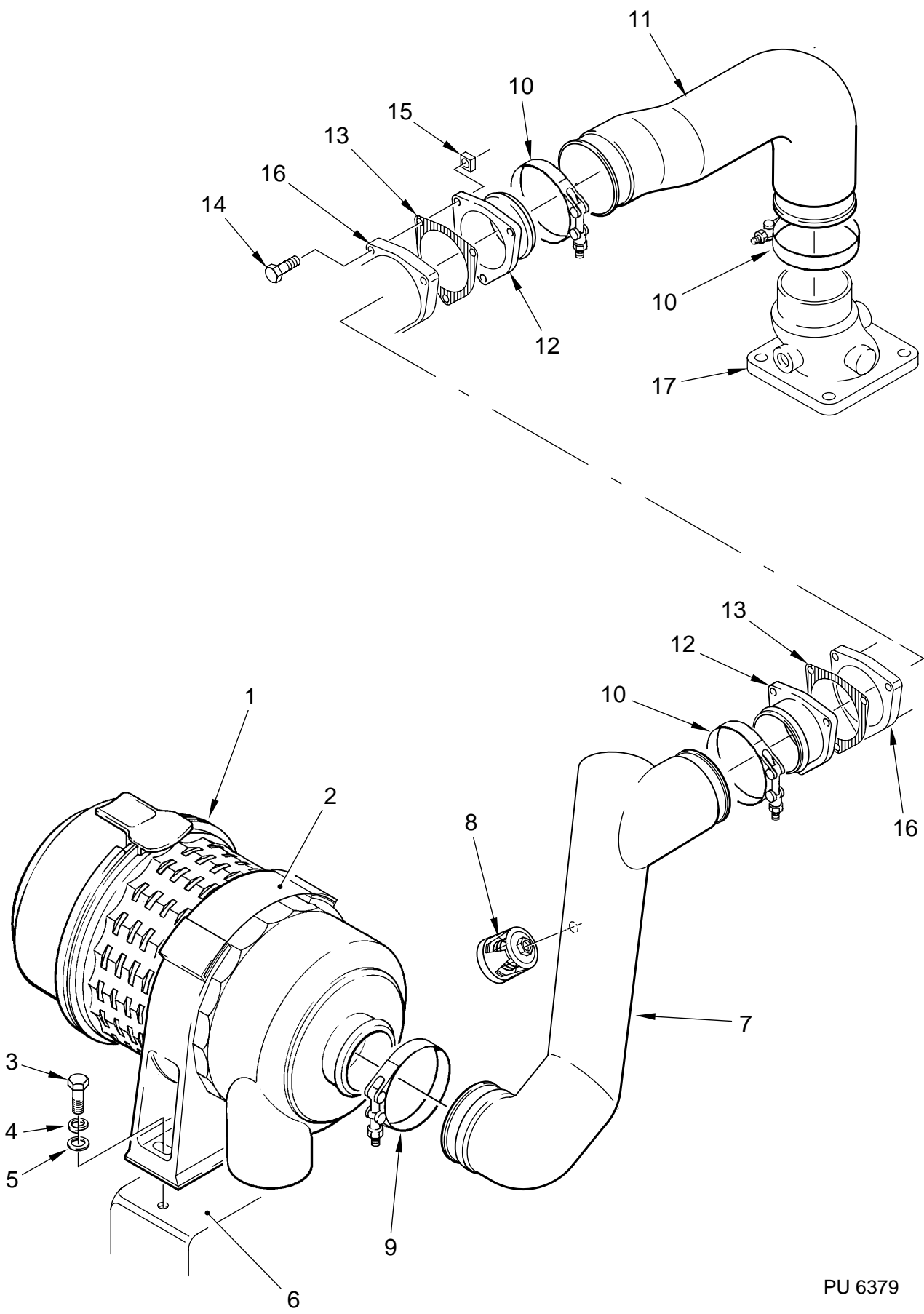


AIR FILTER ASSEMBLY

---

REF.	PART NO.	DESCRIPTION	QTY
1	98262/5125	FILTER - AIR comprising:	
	98262/5125/0001	ELEMENT - FILTER	
	98262/5125/0002	ELEMENT - SAFETY	
	98262/8041/0002	VALVE - DUMP	
	98262/5125/0003	LID	
2	98150/5052	BRACKET - AIR FILTER	
3	95007/0147	BOLT	2
4	95179/0006	WASHER - SPRING	2
5	95149/0014	WASHER	2
6	REFERS TO FUEL TANK		
7	1711-00270	TUBE - AIR INTAKE (FILTER/ENGINE)	
8	98262/5142/0001	INDICATOR - SERVICE	
9	C11554-472	CLAMP - TEE BOLT	
10	C11554-470	CLAMP - TEE BOLT	3
11	1711-00300	TUBE - AIR INTAKE (ENGINE/COMPRESSOR)	
12*	C16012-938	CONNECTOR - INLET MANIFOLD	
13*	1704-01770	JOINT	
14*		BOLT	3
15*		NUT	3
16	REFERS TO ENGINE AIR INLET MANIFOLD		
17	REFERS TO COMPRESSOR AIR INTAKE ADAPTOR		

ITEMS MARKED THUS \* ARE SUPPLIED WITH ENGINE



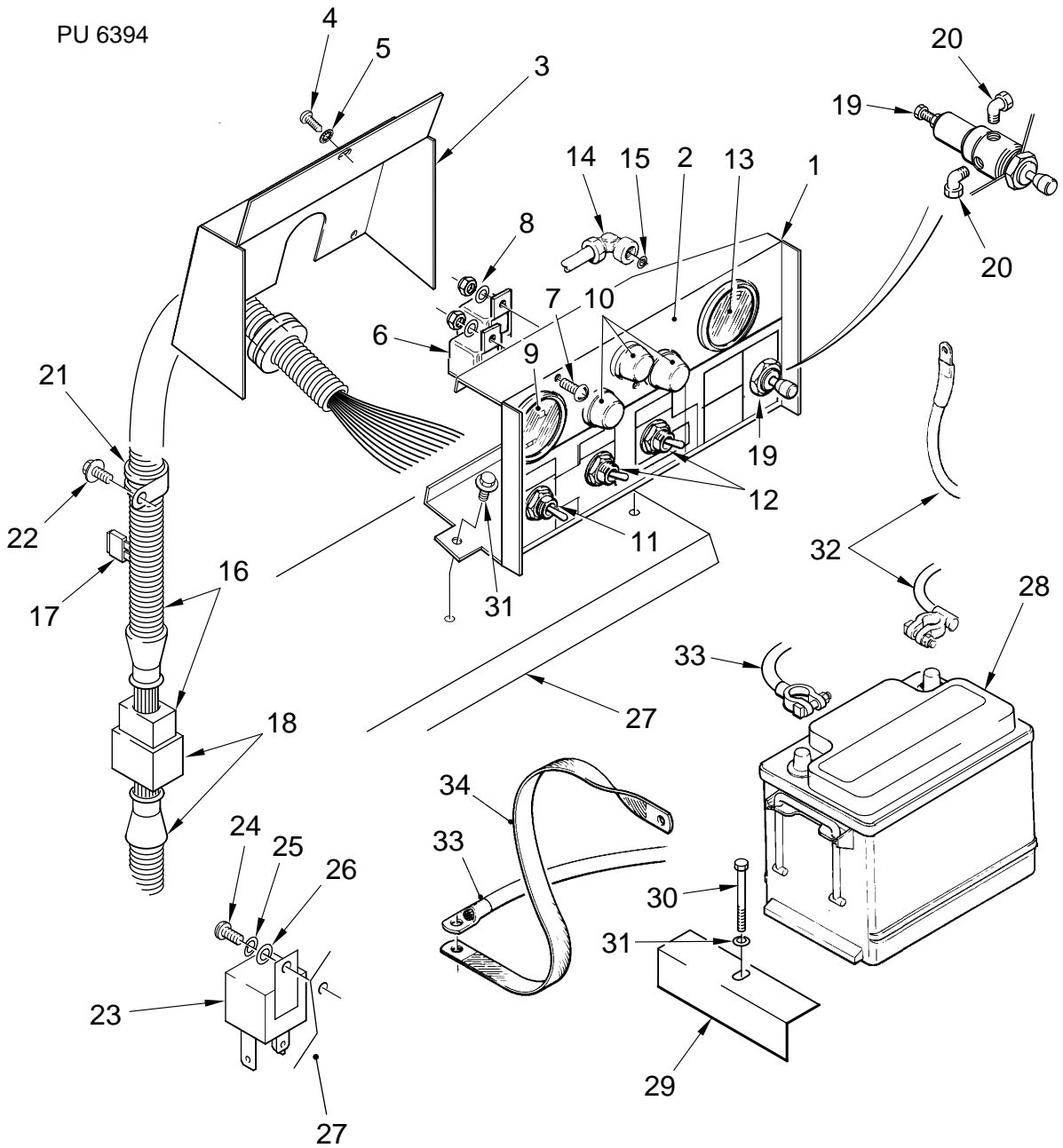
PU 6379

CONTROL PANEL / ELECTRICS ASSEMBLY

---

REF.	PART NO.	DESCRIPTION	QTY
	1711A01180	CONTROL PANEL ASSEMBLY comprising:	
1	1711-01030	PANEL - INSTRUMENT	
2	1400-15730	VINYL - OPERATING INSTRUCTIONS	
3	1711-01080	COVER - INSTRUMENT PANEL	
4	95044/0248	SCREW	3
5	95187/0014	WASHER - SHAKEPROOF	3
6	98475/8017	RELAY	2
7	95044/0252	SCREW	2
8	95149/0010	WASHER	2
	95141/0004	NUT - NYLOC	2
9	98340/8005	HOURMETER	
10	98380/8011	LAMP - WARNING COMPLETE WITH	
	C16012-1042	BULB	
11	98524/8030	SWITCH - TOGGLE - 3 POSITION	
12	98524/8029	SWITCH - TOGGLE - BIAS	2
13	C10809-001	GAUGE - AIR PRESSURE	
14	95440/0202	ELBOW - FEMALE STUD	
15	C11470-099	WASHER - LEATHER	
16	1798-00480	WIRING - CONTROL PANEL including:	
17	98266/5013	FUSE HOLDER	
	98266/5012/0005	FUSE	
18	1798-00470	WIRING HARNESS	
19	98650/8017	VALVE - 2 WAY/PRESSURE REGULATOR	
20	95440/0230	ELBOW	3
21	98150/8037	CLIP - ANTI VIBRO	
22	98500/5073	SCREW	
23	98475/8019	RELAY	
24	95044/0252	SCREW	
25	95179/0003	WASHER - SPRING	
26	95149/0010	WASHER	
27	REFERS TO FAN COWL		
28	98070/8003	BATTERY - 12 VOLT	
29	C15465-101	CLAMP - BATTERY	
30	95007/0150	BOLT	
31	910014002	WASHER - CONICAL	
32	C16036-025	LEAD - BATTERY - POSITIVE	
33	C16042-011	LEAD - BATTERY - NEGATIVE (FIXED TO CHASSIS CROSSMEMBER)	
	95186/0024	WASHER - SHAKEPROOF	
	95149/0015	WASHER	
34	C11561-057	CABLE - EARTH	2
	95149/0017	WASHER	
	95179/0009	WASHER - SPRING	
	98086/5015/0003	SCREW	

PU 6394



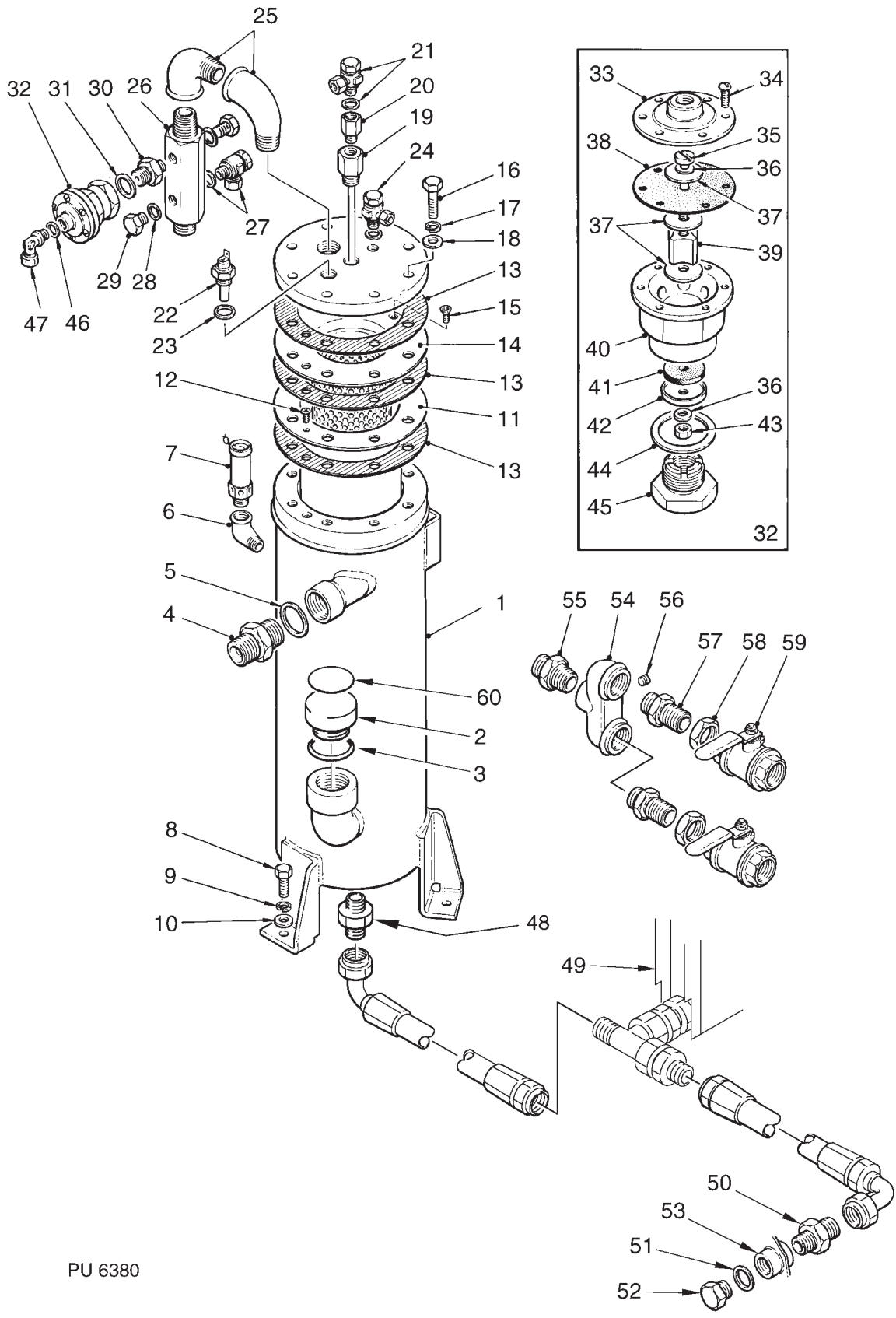


PRESSURE VESSEL AND ACCESSORIES

---

REF.	PART NO.	DESCRIPTION	QTY
1	1710-00010	PRESSURE VESSEL INCLUDING COVER	
2	1500J71900	PLUG - FILLER	
3	95600/0079	'O' RING	
4	95470/5712	NIPPLE	
5	910021008	WASHER - COPPER	
6	95406/0053	ELBOW	
7	98650/5322	VALVE - PRESSURE RELIEF	
8	95001/0284	SCREW	3
9	95179/0007	WASHER - SPRING	3
10	95149/0015	WASHER	3
11	1710-00050	SHROUD - SEPARATOR	
12	95045/0248	SCREW - EARTH	
13	1710-00060	GASKET	3
14	98262/5133	SEPARATOR	
15	95028/0073	SCREW - EARTH	
16	95007/0198	BOLT	8
17	95179/0008	WASHER - SPRING	8
18	95179/0016	WASHER	8
19	C15463-042	DIP TUBE - SCAVENGE	
20	1710-01350	RESTRICTOR	
21	95440/0581	BANJO	
22	98524/8017	SWITCH - TEMPERATURE	
23	910021003	WASHER - COPPER	
24	95440/0579	BANJO	
25	95406/0199	BEND	2
26	1711-00280	VENTURI - DELIVERY	
27	95440/0581	BANJO	2
28	910021002	WASHER - COPPER	
29	95420/5802	PLUG	
30	1710-01010	UNION	

CONTINUED

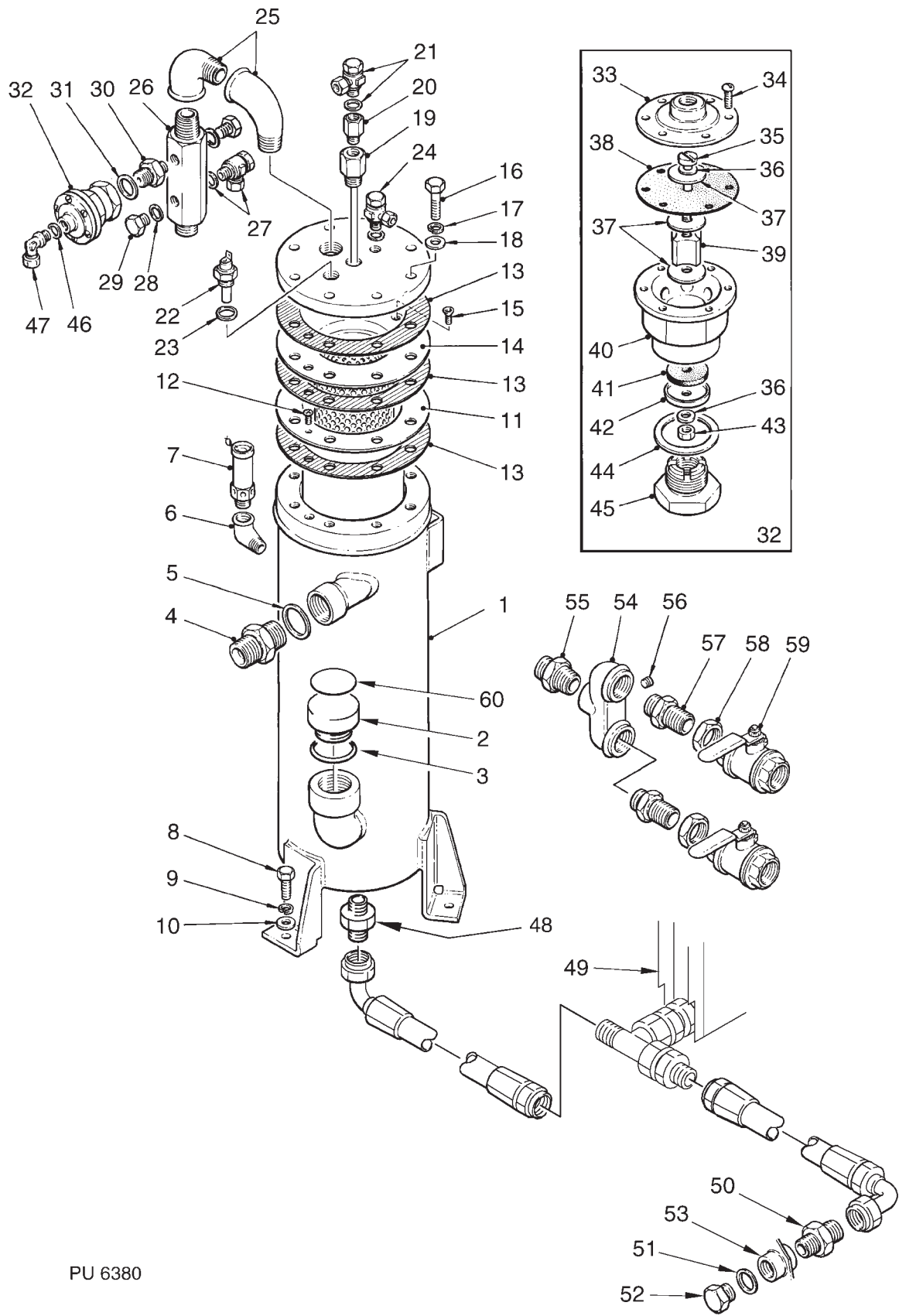


PU 6380

PRESSURE VESSEL AND ACCESSORIES (CONTINUED)

REF.	PART NO.	DESCRIPTION	QTY
31	910021004	WASHER - COPPER	
32	C10663	VALVE - BLOWDOWN comprising:	
33	C10663-010	CAP	
34	A67790091	SCREW	6
35	914046020	SCREW	
36*	A1442/0004	WASHER - FIBRE	2
37	C10663-008	WASHER	3
38*	C10663-006	DIAPHRAGM	
39	C10663-003	GUIDE - VALVE	
40	C10663-005	BODY	
41*	C10663-007	WASHER - VALVE SEATING	
42	C10663-002	VALVE	
43	A6711/0072	LOCKNUT	
44*	A1442/0008	WASHER - FIBRE	
45	C10663-004	CAP	
46	910021002	WASHER - COPPER	
47	95440/0179	ELBOW	
48	954205860	NIPPLE	
49	REFERS TO OIL COOLER		
50	95420/5856	NIPPLE	
51	95635/0004	WASHER - COPPER	
52	95420/5806	PLUG - DRAIN	
53	REFERS TO SOCKET - BASE PANEL		
54	C15448-287	BRANCH - THREE PORT	
55	C10009-006	UNION	
56	905002001	PLUG	
57	C3070-040	NIPPLE	2
58	95411/0265	NUT - LOCKING	2
59	A3803/0018	VALVE - BALL	2
60	1400-15110	VINYL - SACO OIL	

ITEMS MARKED THUS \* COMPRISE BLOWDOWN VALVE KIT CK005

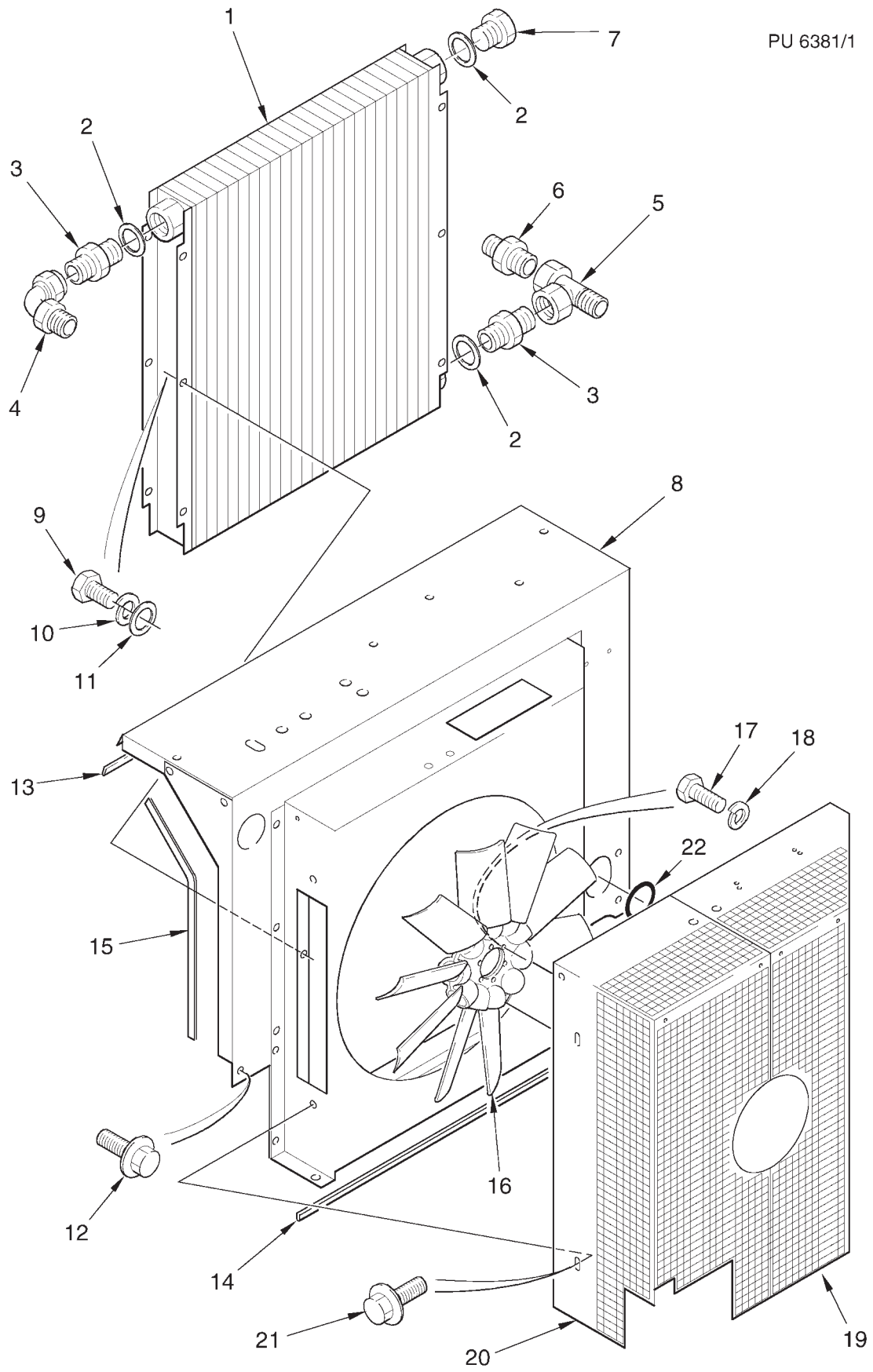


PU 6380

OIL COOLER / FAN ASSEMBLY

---

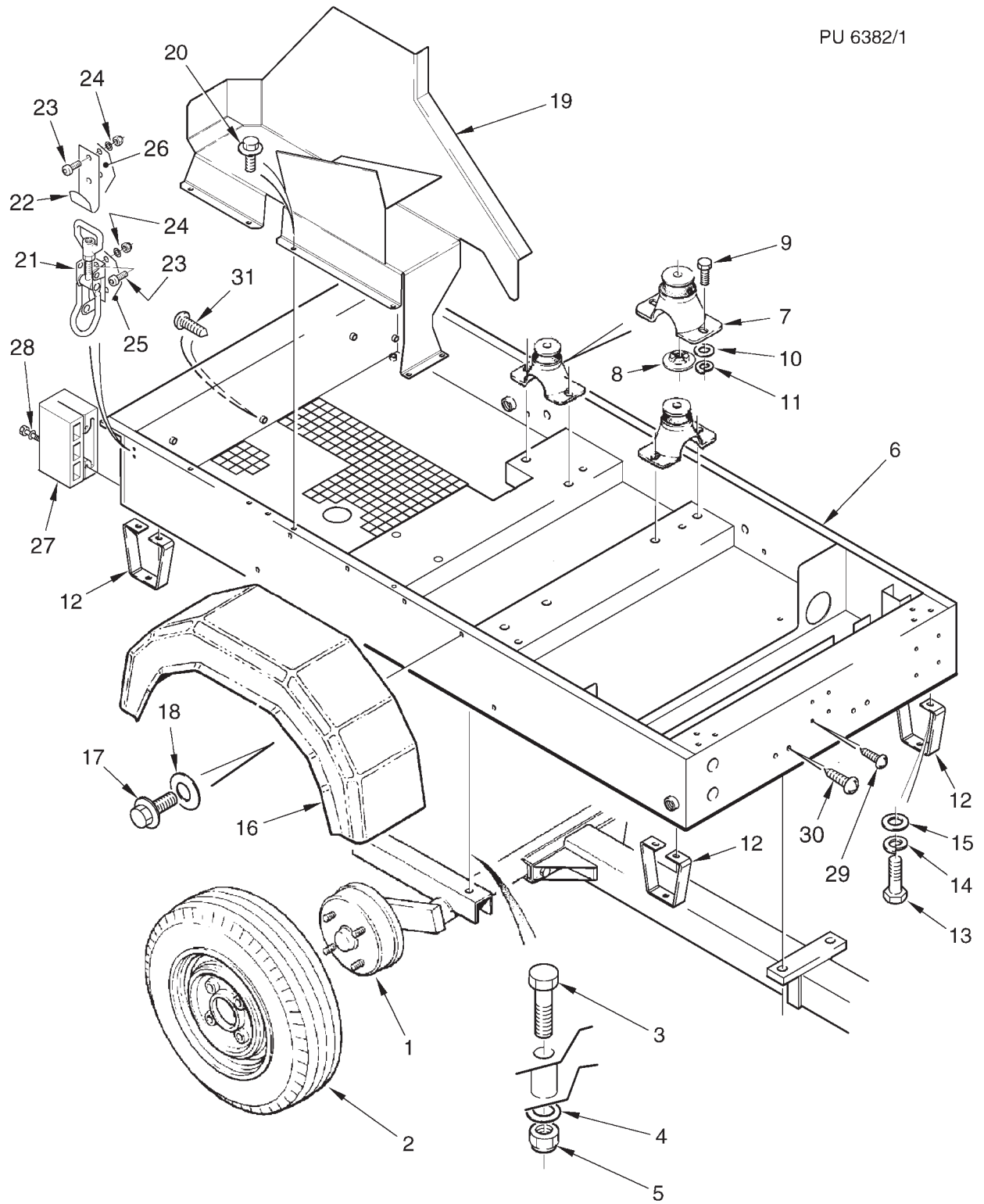
REF.	PART NO.	DESCRIPTION	QTY
1	98154/5029	COOLER - OIL	
2	910021006	WASHER - COPPER	3
3	95420/5697	NIPPLE	2
4	95420/5377	ELBOW	
5	95420/5658	TEE	
6	95420/5696	NIPPLE	
7	95420/5810	PLUG	
8	1711-00440	BOX - FAN COWL	
9	95001/0255	SCREW	6
10	95179/0006	WASHER - SPRING	6
11	95149/0014	WASHER	6
12	98500/5073	SCREW	8
13	98504/8010	STRIP - RUBBER	
14	98504/0005	SEALING STRIP - RUBBER	
15	98504/8020	SEAL STRIP - SELF GRIP	
16	C15448/038	FAN	
17	95001/0229	SCREW	6
18	95179/0005	WASHER - SPRING	6
19	1711-00630	GUARD - FAN R.H.	
20	1711-00620	GUARD - FAN L.H.	
21	98500/5073	SCREW	6
22	98286/5011/0017	GROMMET	



CHASSIS ASSEMBLY

---

REF.	PART NO.	DESCRIPTION	QTY
1	1799-00300	TORSION BAR CHASSIS (DETAILS OVERLEAF)	
2	98144/5049	WHEEL & TYRE ASSEMBLY comprising: _____	2
	C16022-064	WHEEL	
	98144/5049/0001	TYRE _____	
3	95007/0206	BOLT	3
	95007/0207	BOLT	
4	95149/0016	WASHER	4
5	95141/0009	NUT - NYLOC	4
6	1711-00010	CHASSIS ASSEMBLY	
7	C11570-027	FLEXIBLE MOUNTING ASSEMBLY complete: _____	4
8	C11598-027	REBOUND PLATE _____	
9	95001/0315	SCREW	8
10	95149/0016	WASHER	8
11	95179/0008	WASHER - SPRING	8
12	1711-00640	SUPPORT - FOOT	4
13	95001/0255	SCREW	8
14	95179/0006	WASHER - SPRING	8
15	95149/0014	WASHER	8
16	1711-01020	MUDGUARD	2
17	98500/5073	SCREW	16
18	98660/5019/0003	WASHER	16
19	1711-00700	TRAY - TOOL	
20	98500/5073	SCREW	6
	98382/5013	LATCH Comprising:	2
21	98382/5013/0001	TOGGLE LATCH	
22	98382/5013/0002	CLASP	
23	95033/0392	SCREW	8
24	95149/0013	WASHER	8
	95141/0006	NUT - NYLOC	8
25	REFERS TO CHASSIS SIDE PANEL		
26	REFERS TO CANOPY SIDE PANEL		
27	1711-01130	BUMPER	2
28	95007/0137	BOLT	4
	95149/0013	WASHER	4
29	95044/0248 DFB	SCREW	8
30	95044/0388 DFB	SCREW	4
31	95044/0452 DFB	SCREW	3
		<b>NOT ILLUSTRATED</b>	
	98504/8010	STRIP - RUBBER (ON RETAINER AT BASE)	
	98260/8030	CLIP - EDGE	3
	98442/0004	PLUG - NYLON (LUBRICATOR HOLES)	2
	95044/0388DFB	SCREW (PLUG INSERTS FOR CRASH BARS)	4

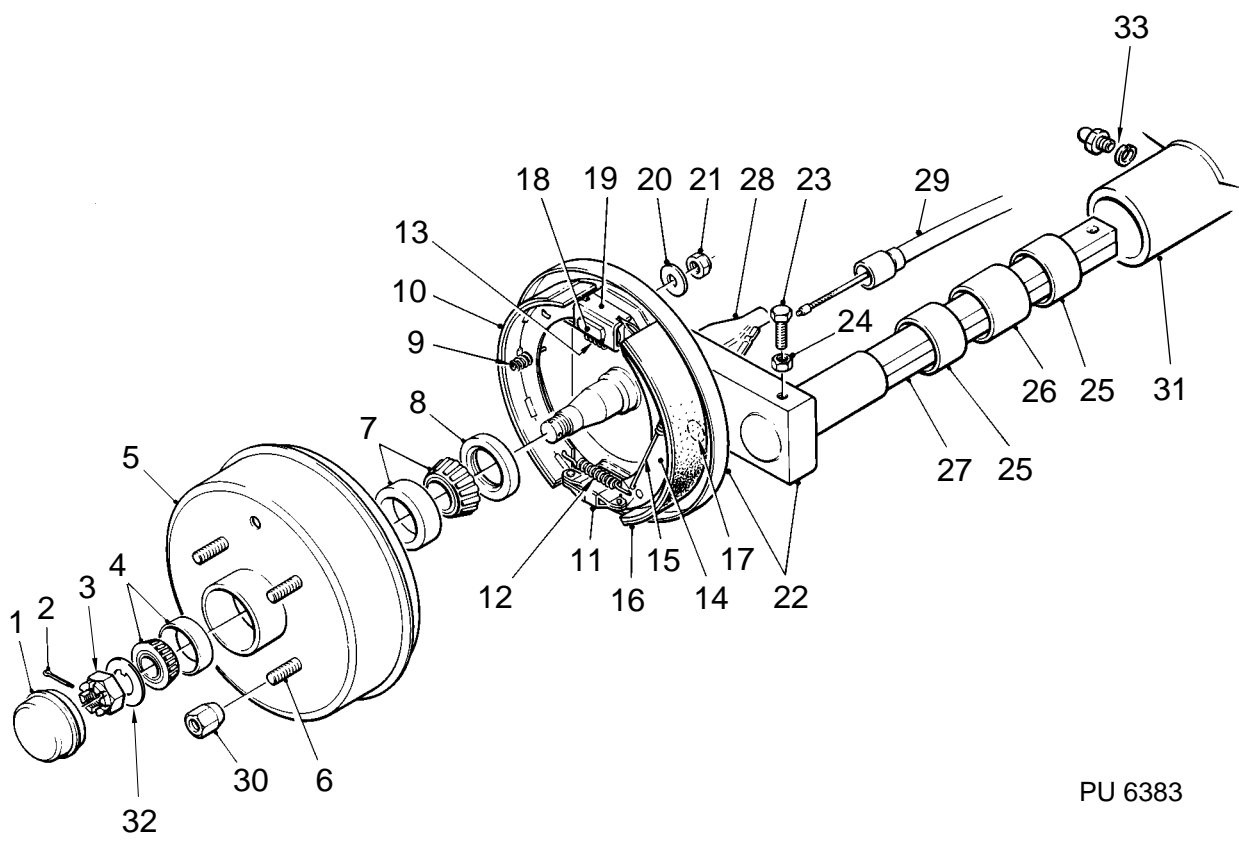




CHASSIS - TORSION BAR ASSEMBLY - AXLE & HUB  
(STRAIGHT BRAKED & DOUBLE ADJUSTABLE BRAKED)

REF	PART NO	DESCRIPTION	QTY	
	1799-00300	TORSION BAR CHASSIS (STRAIGHT)		
	1799-00310	TORSION BAR CHASSIS (DOUBLE ADJUSTABLE)		
1	C16012-376	HUB CAP	2	
2	902005412	SPLIT PIN	2	
3	912007018	NUT	2	
4	A641/0069	BEARING - OUTER	2	
5	C16012-377	HUB AND DRUM	2	
6	C11576-213	STUD	8	
7	A6419/0074	BEARING - INNER	2	
8	A6540/0096	SEAL	2	
	C11041-011	BRAKE ASSEMBLY L.H.	each comprising:	
	C11041-012	BRAKE ASSEMBLY R.H.		
9	C16012/237	SPRING - CONICAL		
	C16012/248	SPRING		
10	C16012-276	SHOE		
11	C16012-239	EXPANDER		
12	C16012-277	SPRING		
13	C16012-278	SPRING		
14	C16012-279	CARRIER		
15	C16012/243	SPRING		
16	C16012-280	SHOE		
17	C16012-245	PLUG		
18	C16012-281	BOLT		
19	C16012-282	ADJUSTER		
20	95149/0015	WASHER		
21	95140/0015	NUT		
22	C16012-953	TRAILING ARM AND BACK PLATE L.H.		
	C16012-952	TRAILING ARM AND BACK PLATE R.H.		
23	C16012-085	SCREW		4
24	A4323-0005	LOCKNUT		4
25	C16012-064	BUSH		4
26	C16012-065	SPACER	2	
27	C16012-378	BAR - TORSION	2	
28	C16012-402	HOLDER - CABLE (LOOSE HALF)	2	
29	C16012-406	CABLE BRAKE	2	
30	C11576-222	NUT - WHEEL	8	
31	C16012-1058	AXLE TUBE ASSEMBLY		
32	C16012-1077	WASHER BEARING		
33	98386/8009	NIPPLE - GREASE	2	
	910005001	WASHER - SPRING	2	
		<b>NOT ILLUSTRATED</b>		
	C16012-1026	CABLE EYELET (FITTED INSIDE REF 28)		

CONTINUED



PU 6383

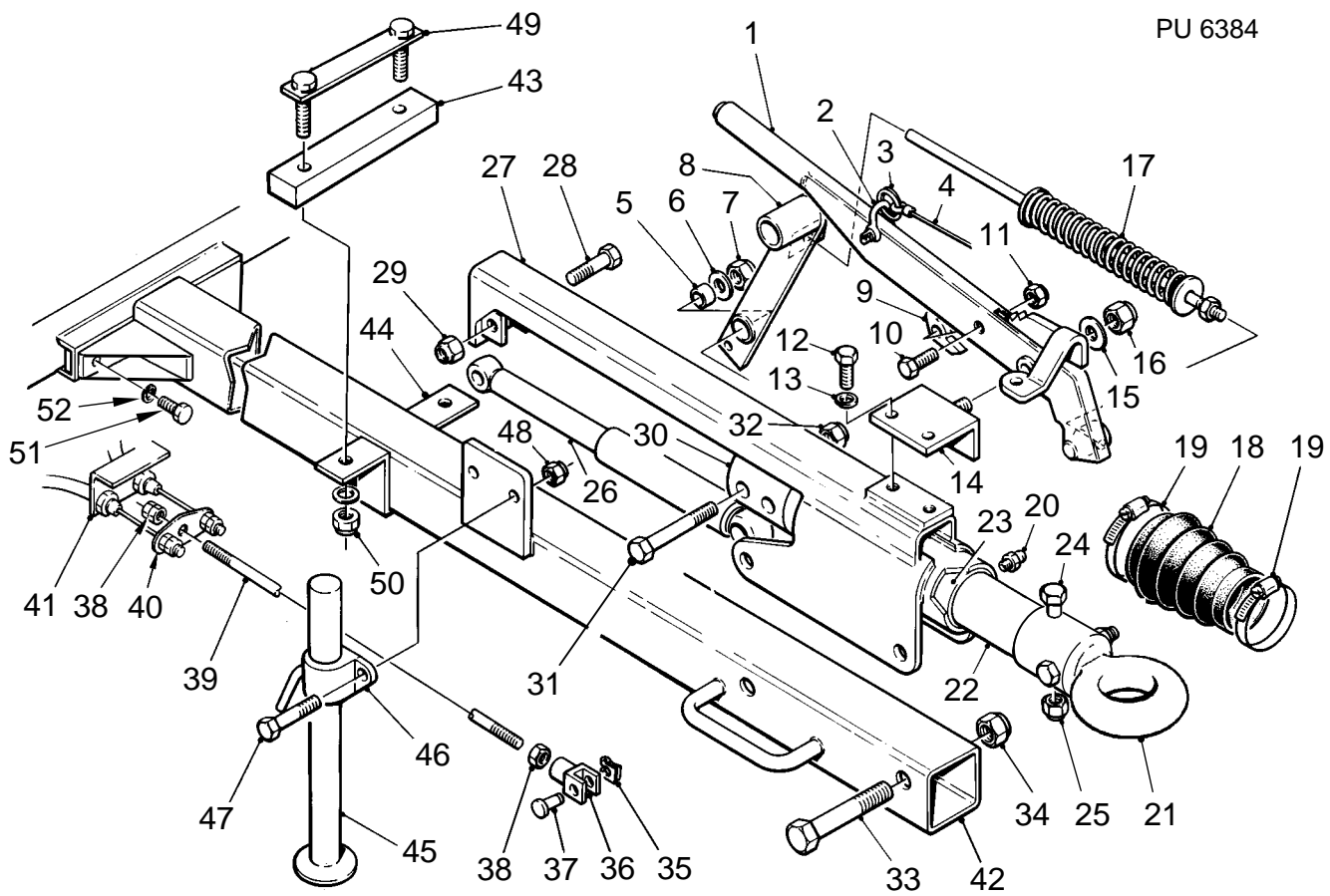
CHASSIS - TORSION BAR (STRAIGHT BRAKED)  
TOWBAR AND TOWING HITCH

REF.	PART NO.	DESCRIPTION	QTY
	1799-00300	TORSION BAR CHASSIS (CONTINUED)	
	C16012/382	TOWING HITCH complete: _____	
1	C16012/383	HANDBRAKE ASSEMBLY	
2	98664/8000	SHACKLE - 'D'	
3	C16012-267	RING - BRAKEAWAY	
4	C16012-266	CABLE - BRAKEAWAY	
5	98074/8000	BUSH	
6	910002008	WASHER	
7	912017008	NUT	
8	C16012-384	LEVER - OVERRUN	
9	C16012-385	PAWL	
10	914001085	SCREW	
11	912017005	NUT	
12	914001114	SCREW	2
13	910005004	WASHER	2
14	C16012-386	BRACKET - HANDLE	
15	910002010	WASHER	
16	912017010	NUT	
17	C16012-257	SPRING STORE ASSEMBLY	
18	C11576-147	BELLOWS	
19	95370/0014	CLIP	2
20	98386/8005	NIPPLE - GREASE	2
21*	C16015-031	TOWING COUPLING	
22	C16012-387	SHAFT	
23	C16012-290	BUSH	2
24	95007/0177	BOLT	2
25	95141/0008	NUT	2
26	C16012-262	DAMPER	
27	C16012-388	BODY (COUPLING)	
28	913001071	BOLT	
29	912017006	NUT	
30	C16012-389	COLLAR	
31	95007/0177	BOLT	2
32	912017006	NUT	2

\*ALTERNATIVE COUPLINGS SHOWN ON PAGE 8

CONTINUED

PU 6384

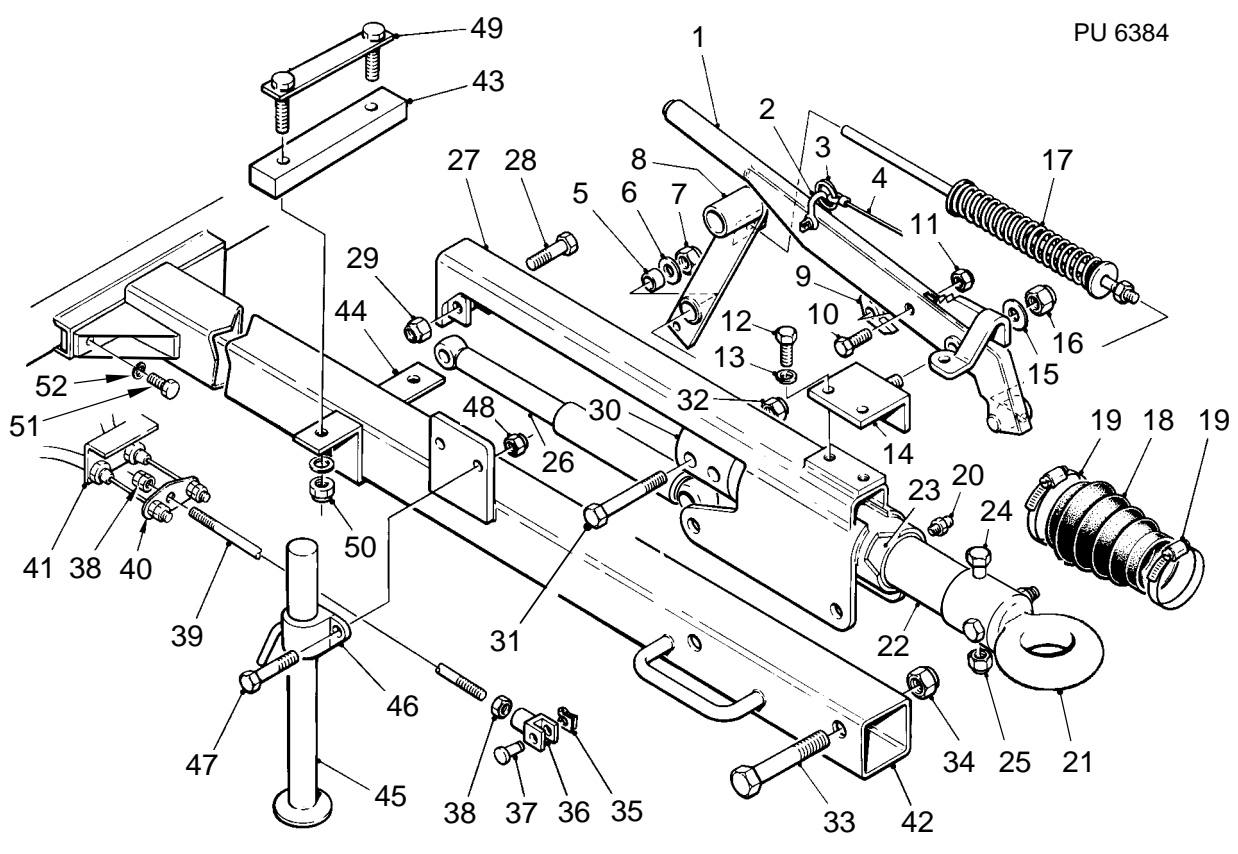


CHASSIS - TORSION BAR (STRAIGHT BRAKED)  
TOWBAR AND TOWING HITCH (CONTINUED)

REF.	PART NO.	DESCRIPTION	QTY
	1799-00300	TORSION BAR CHASSIS (CONTINUED)	
33	A4316/0075	BOLT	2
34	912017008	NUT	2
35	A10324/0003	CLIP	
36	A10322-0003	FORK HEAD	
37	A10323/0003	CLEVIS PIN	
38	912003012	NUT	3
39	C16012-1060	BRAKE ROD	
40	C16012-270	COMPENSATOR	
41	THIS ITEM WELDED TO TOWBAR		
42	C16012-1059	TOWBAR	
43	C16012-620	SADDLE (MOUNTING)	
44	C16012-371	BRACKET (CLAMP)	
45	C15447-056	PROPSTAND	
46	C15447-059	BRACKET - LOCKING (PROPSTAND)	
47	95007/0199	BOLT	2
48	95141/0009	NUT - NYLOC	2
49	C15465-211	PLATE - CLAMPING	
50	95149/0016	WASHER	2
	95141/0009	NUT - NYLOC	2
51	95001/0313	SCREW	4
52	95179/0008	WASHER - SPRING	4

\* ALTERNATIVE COUPLINGS SHOWN ON PAGE 8

PU 6384



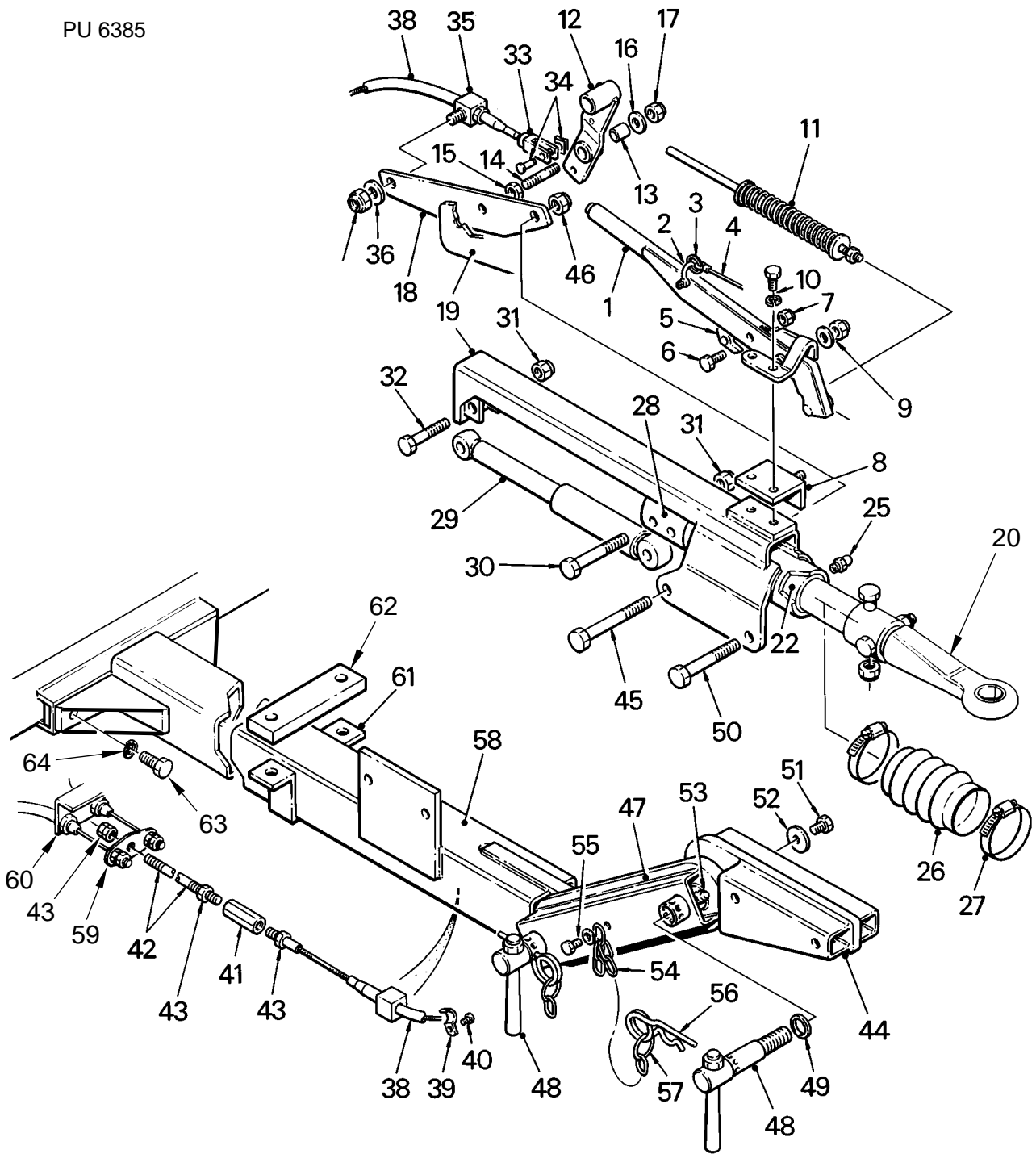
CHASSIS - TORSION BAR (DOUBLE ADJUSTABLE BRAKED)  
TOWBAR AND TOWING HITCH

REF.	PART NO.	DESCRIPTION	QTY
	1799-00310	TORSION BAR CHASSIS	
	C16012-580	TOWING HITCH complete: _____	
1	C16012-383	HANDBRAKE ASSEMBLY	
2	98664/8000	'D' SHACKLE	
3	C16012-267	RING - BREAKAWAY	
4	C16012-266	CABLE - BREAKAWAY	
5	C16012-385	PAWL	
6	914001085	SCREW	
7	912017005	NUT - SELF LOCK	
8	C16012-386	BRACKET - HANDBRAKE	
9	910002010	WASHER	
	912017010	NUT - SELF LOCK	
10	914001114	SCREW	2
	910005004	WASHER - SPRING	2
11	C16012-257	SPRING STORE ASSEMBLY	
12	C16012-538	CRANKED LEVER	
13	98074/8000	BUSH	
14	C16012-539	LEVER PIN	
15	912003015	LOCKNUT	
16	910002008	WASHER	
17	912017008	NUT - SELF LOCK	
18	C16012-541	BRACKET - CABLE	
19	C16012-590	BODY - COUPLING	
20*	C16015-028	TOWING EYE (DIN 40 DIA)	
21	C16012-387	SHAFT	
22	C16012-290	BUSH	
23	A4316/0105	BOLT	2
24	912017006	NUT - SELF LOCK	2
25	98386/8005	GREASE NIPPLE	2
26	C11576-147	BELLOWS	
27	95370/0014	CLIP	2
28	C16012-389	COLLAR	
29	C16012-293	DAMPER	
30	A4316/0105	BOLT	2
31	912017006	NUT - SELF LOCK	3
32	913001071	BOLT _____	

\* ALTERNATIVE COUPLINGS SHOWN ON PAGE 8

CONTINUED

PU 6385

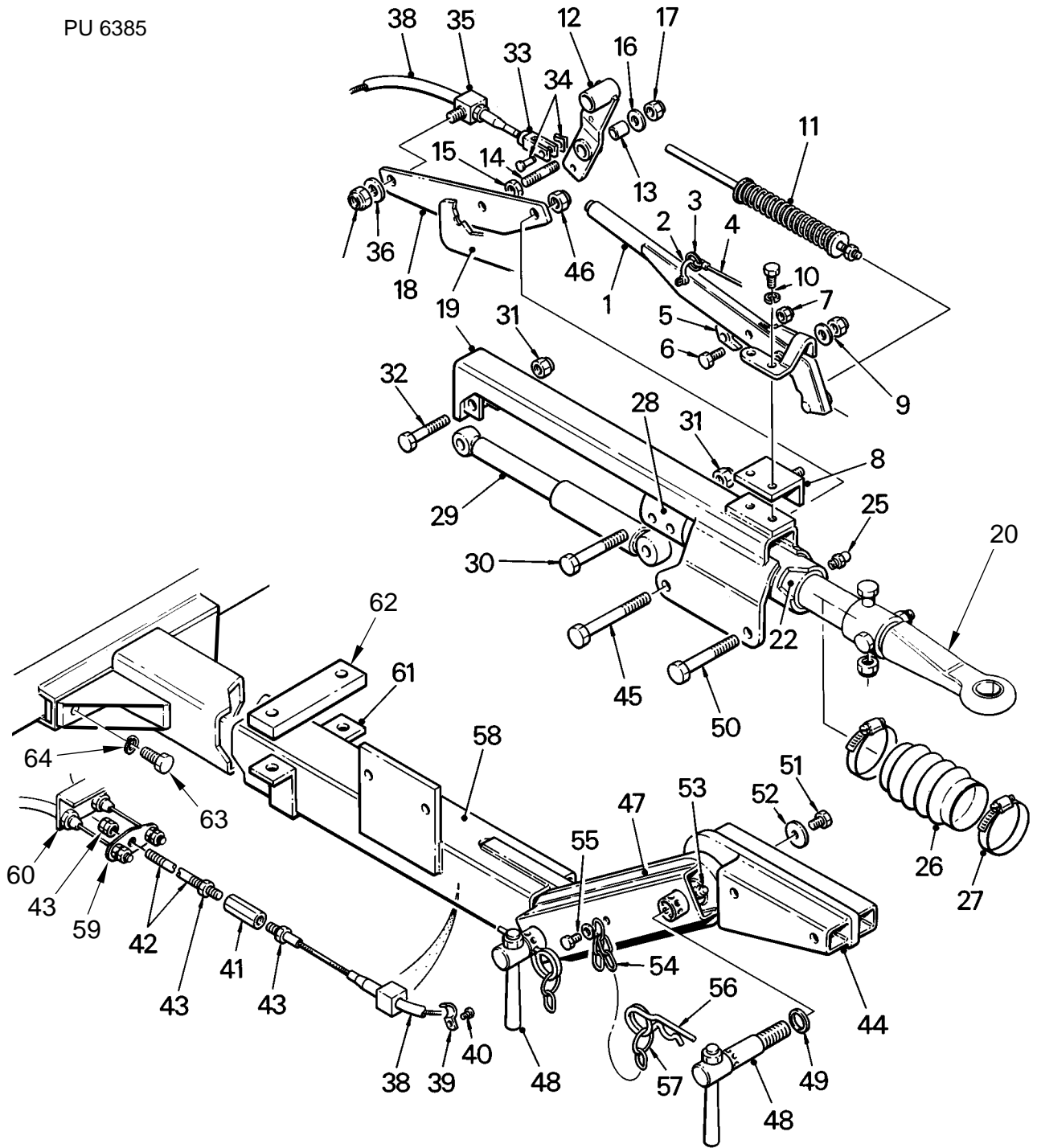




CHASSIS - TORSION BAR (DOUBLE ADJUSTABLE BRAKED)  
TOWBAR AND TOWING HITCH (CONTINUED)

REF	PART NO.	DESCRIPTION	QTY
	1799-00310	TORSION BAR CHASSIS (CONTINUED)	
33	C16012-587	FORK HEAD	
34	C16012-588	CLEVIS PIN	
	C16012-589	CLIP	
35	C16012-542	CABLE - STOP	
36	A3753/0007	WASHER - PLAIN	
37	A4371/0005	NUT	
38	C16012-545	CABLE - BRAKE	
39	C16012-556	CLIP - CABLE	
40	914026004	SCREW	
41	C16012-546	ADAPTOR	
42	C16012-1062	ROD - BRAKE	
43	A4323/0003	NUT	4
44	C16012-543	COUPLING	
45	A4316/0075	BOLT	
46	A4371/0005	NUT - SELF LOCK	2
47	C16012-544	LINK ARM (PEG)	
48	C16012-722	JOINT PIN ASSEMBLY	2
49	C16012-549	PIN COLLAR	2
50	A4316/0073	BOLT	2
51	A4312/0001	SCREW	2
52	C16012-540	WASHER	2
53	93001004	GREASE NIPPLE	3
54	C16012-552	CHAIN - 18 LINKS	
55	A4311/0094	SCREW	
	A3753/0004	WASHER	
56	C16012-550	LOCK PIN	2
57	C16012-609	SPLIT RING	2
58	C16012-1061	TOWBAR	
59	C16012-270	COMPENSATOR	
60	THIS ITEM WELDED TO TOWBAR		
61	C16012-371	SADDLE BRACKET	
62	C16012-620	ADJUSTING SADDLE PLATE	
63	95001/0313	SCREW	4
64	95179/0008	WASHER - SPRING	4

PU 6385

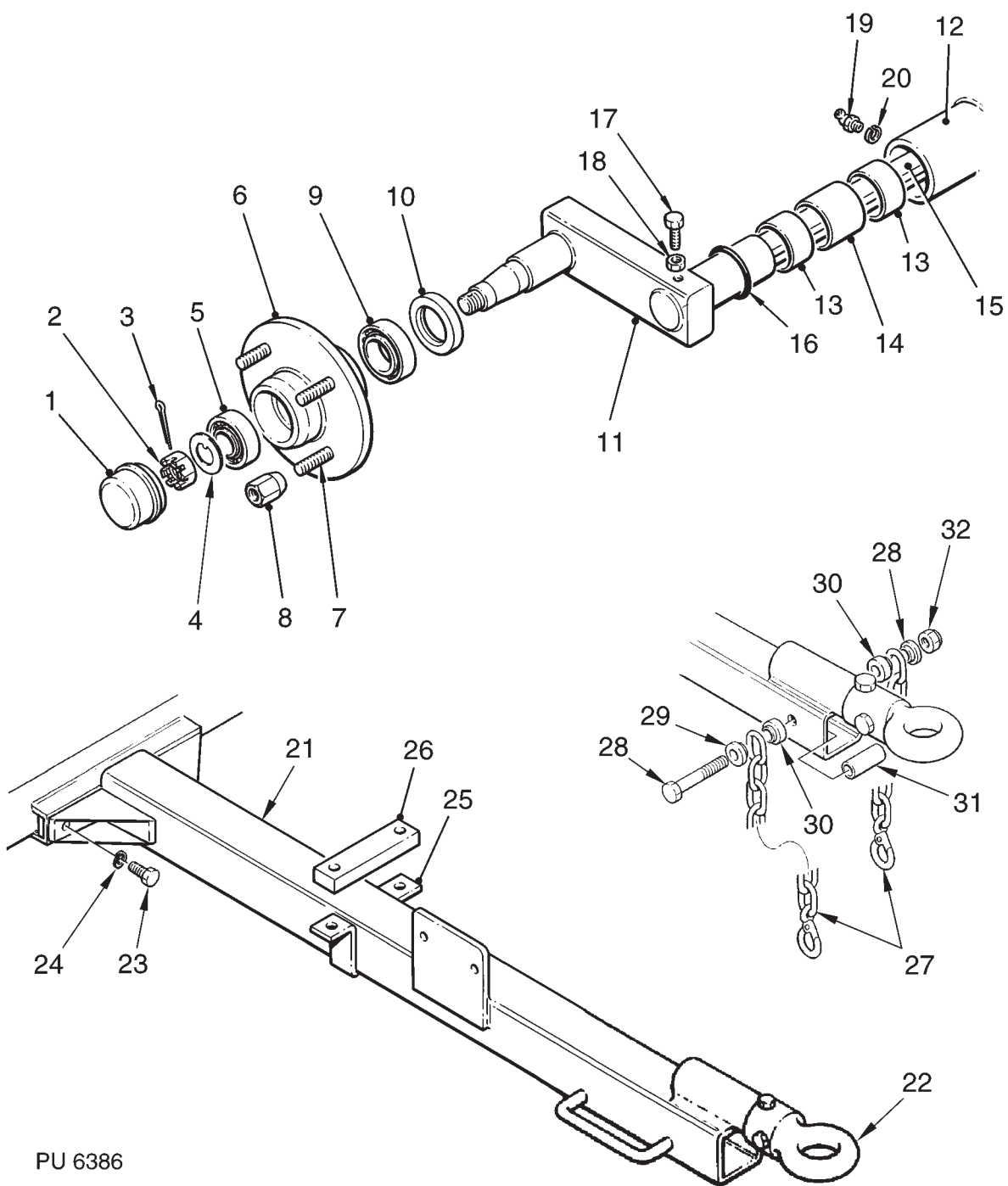


CHASSIS - TORSION BAR ASSEMBLY - (STRAIGHT UNBRAKED)

---

REF	PART NO.	DESCRIPTION	QTY
	1799-00330	TORSION BAR CHASSIS	
1	C16012-376	HUB	2
2	912007018	NUT - SLOTTED	2
3	902005412	SPLIT PIN	2
4	C16012-1077	WASHER - BEARING	2
5	A6419/0069	BEARING - OUTER	2
6	C16012-1038	HUB ASSEMBLY	2
7	C11576-213	STUD - WHEEL	8
8	C11576-222	NUT - WHEEL	8
9	A6419/0074	BEARING - INNER	2
10	A6450/0096	SEAL	2
11	C16012-1039	TRAILING ARM - L.H. (ILLUSTRATED)	
	C16012-1040	TRAILING ARM - R.H.	
12	C16012-1058	AXLE TUBE	
13	C16012-064	BUSH	4
14	C16012-065	SPACER	2
15	C16012-378	TORSION BAR LAMINATED	2
16	A10252/0224	'O' RING	2
17	C16012-085	SCREW	4
18	A4323/0005	LOCKNUT	4
19	98386/8009	NIPPLE - GREASE	2
20	A3754/0004	WASHER - SPRING	2
21	C16012-1063	TOWBAR	
22+	C16015-026	TOWING EYE	
23	95001/0313	SCREW	4
24	95179/0008	WASHER - SPRING	4
25	C16012-371	BRACKET - LOCKING	
26	C16012-620	SADDLE PLATE - ADJUSTING	
27	C16012-1029	CHAIN	2
28	95007/0212	BOLT	
29	C16012-1030	COLLAR	2
30	C16012-1031	NUT - LOCKING	2
31	C16012-1036	SPACER	
32	95140/0016	NUT - LOCKING	

+ ALTERNATIVE COUPLINGS SHOWN ON PAGE 8

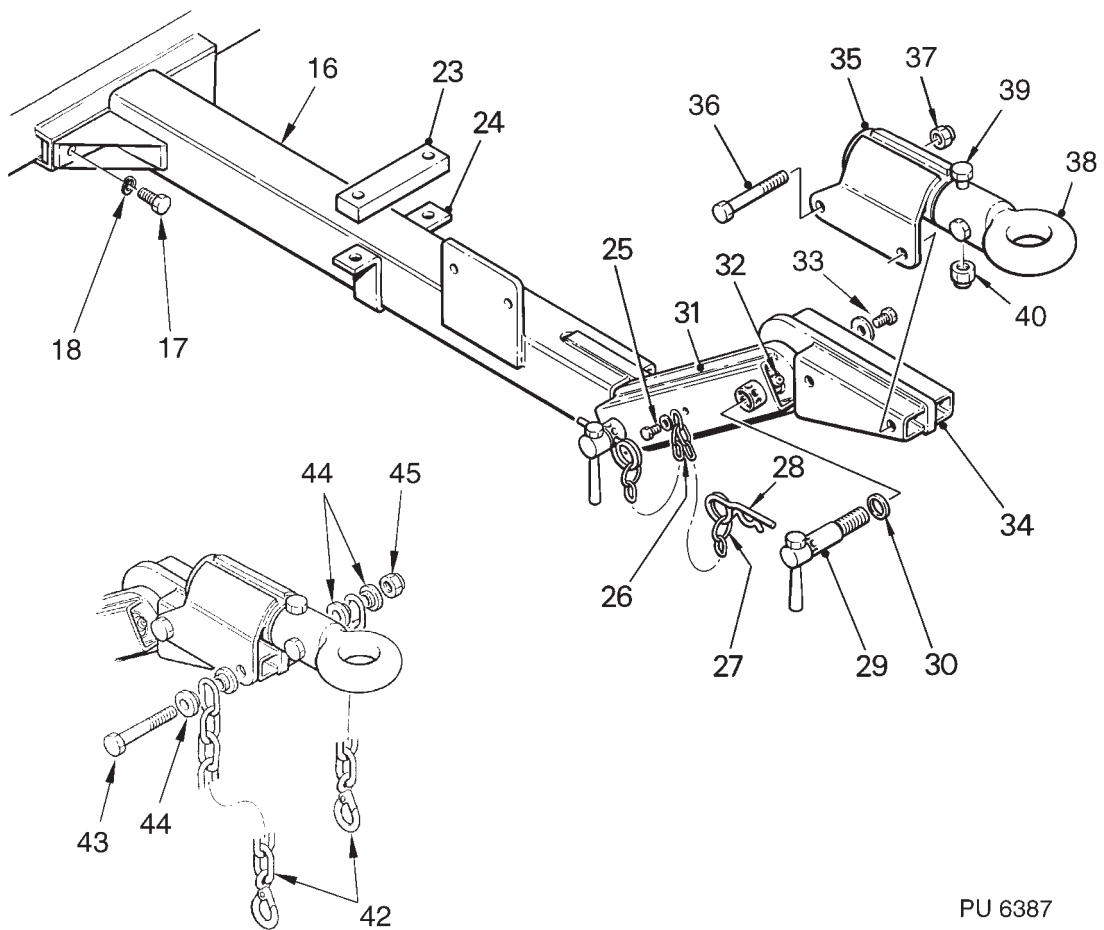
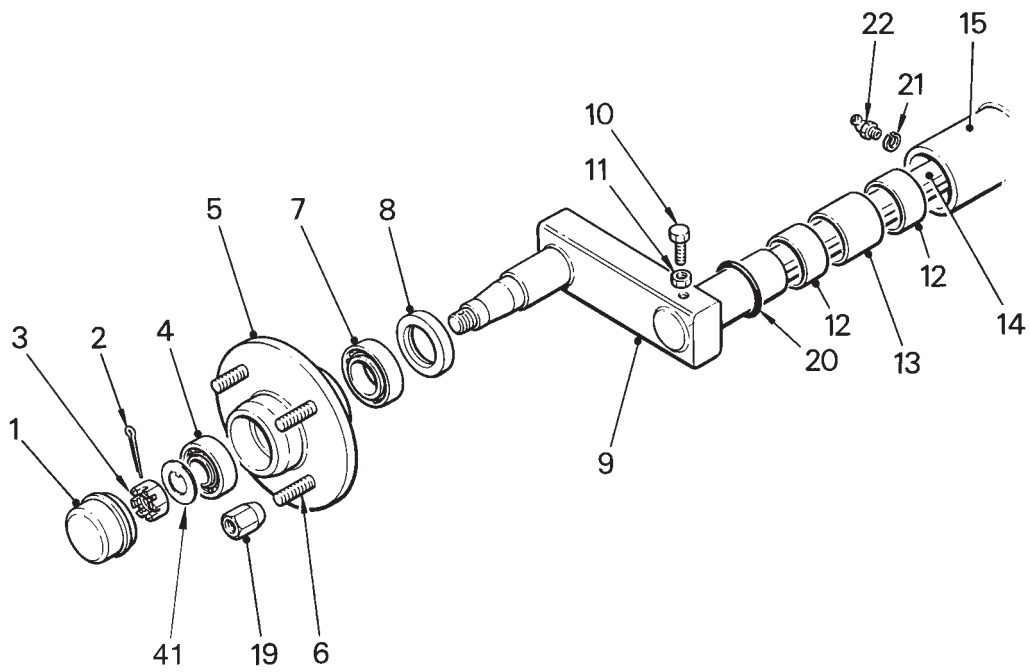


PU 6386

CHASSIS - TORSION BAR ASSEMBLY  
(DOUBLE ADJUSTABLE UNBRAKED)

REF	PART NO.	DESCRIPTION	QTY
	1799-00340	TORSION BAR CHASSIS	
1	C16012-376	HUB CAP	2
2	902005012	SPLIT PIN	2
3	912007018	NUT - SLOTTED	2
4	A6419/0069	BEARING OUTER	2
5	C16012-1038	HUB ASSEMBLY	2
6	C11576-213	WHEEL STUD	8
7	A6419/0074	BEARING - INNER	2
8	A6450/0096	SEAL	2
9	C16012-1040	TRAILING ARM - R.H. (ILLUSTRATED)	
	C16012-1039	TRAILING ARM - L.H.	
10	C16012-0085	SCREW	2
11	A4323/0005	LOCKNUT	2
12	C16012-064	BUSH	4
13	C16012-065	SPACER	2
14	C16012-378	TORSION BAR	2
15	C16012-1058	AXLE TUBE ASSEMBLY	
16	C16012-1070	TOWBAR ASSEMBLY	
17	95001/0313	SCREW	4
18	95179/0008	WASHER - SPRING	4
19	C11576-222	WHEEL NUT	8
20	A10252/0224	'O' RING	2
21	A3745/0004	SPRING WASHER	2
22	98386/8009	GREASE NIPPLE	2
23	C16012-620	ADJUSTING SADDLE PLATE	
24	C16012-371	BRACKET - LOCKING	
25	A4311/0094	SCREW	
	A3753/0003	WASHER	
26	C16012-552	CHAIN	
27	C16012-609	SPLIT RING	
28	C16012-550	LOCK PIN	
	C16012-551	LOCK PIN	
29	C16012-722	JOINT PIN ASSEMBLY	2
30	C16012-549	COLLAR - PIN	2
31	C16012-544	LINK ARM	
32	932001004	GREASE NIPPLE	2
33	A4312/0001	SCREW	2
	C16012-540	WASHER	2
34	C16012-543	COUPLING	
35	C16012-685	EYE SHAFT ASSEMBLY	
36	A4316/0075	BOLT	2
37	A4371/0005	NUT - SELF LOCKING	2
38 +	C16015-026	TOWING EYE	
39	95007/0177	BOLT	2
40	95140/0015	NUT - SELF LOCKING	2
41	C16012-1077	WASHER - BEARING	
42	C16012-1029	CHAIN	2
43	95007/0212	BOLT	
44	C16012-1030	COLLAR	4
45	95140/0016	NUT - SELF LOCKING	

+ ALTERNATIVE COUPLINGS SHOWN ON PAGE 8

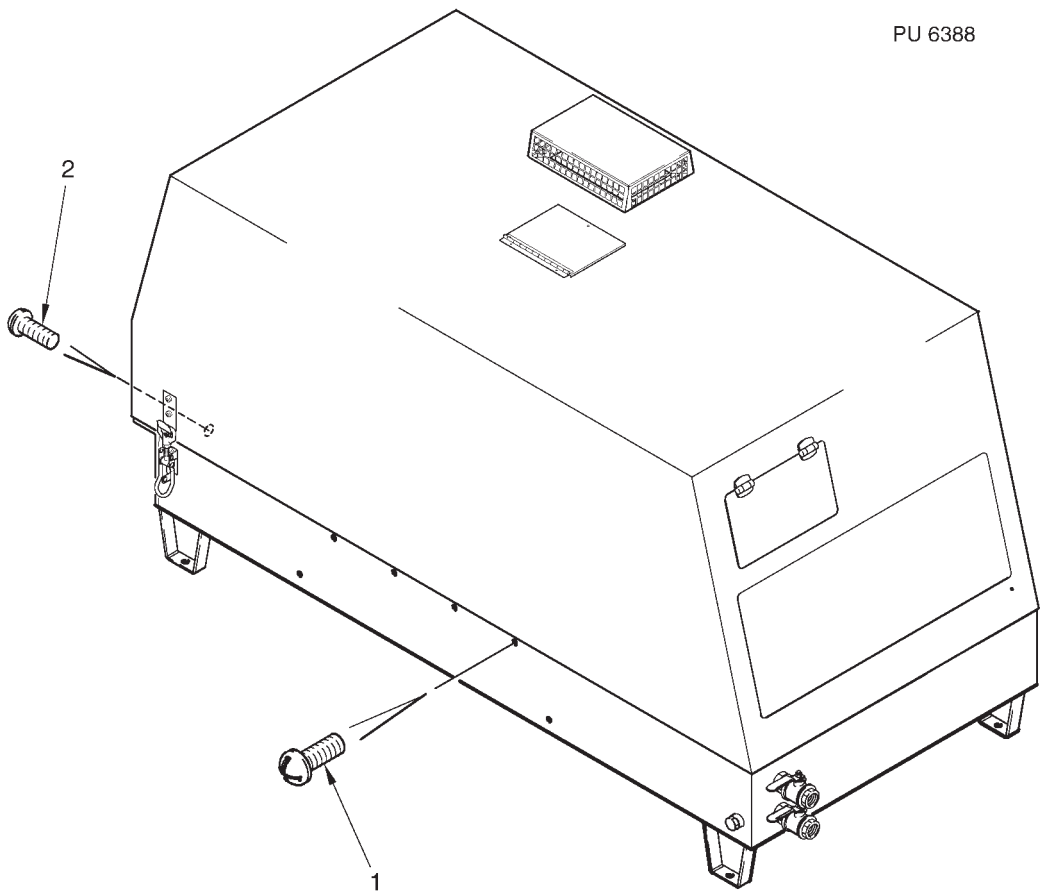


PU 6387



BASEMOUNT

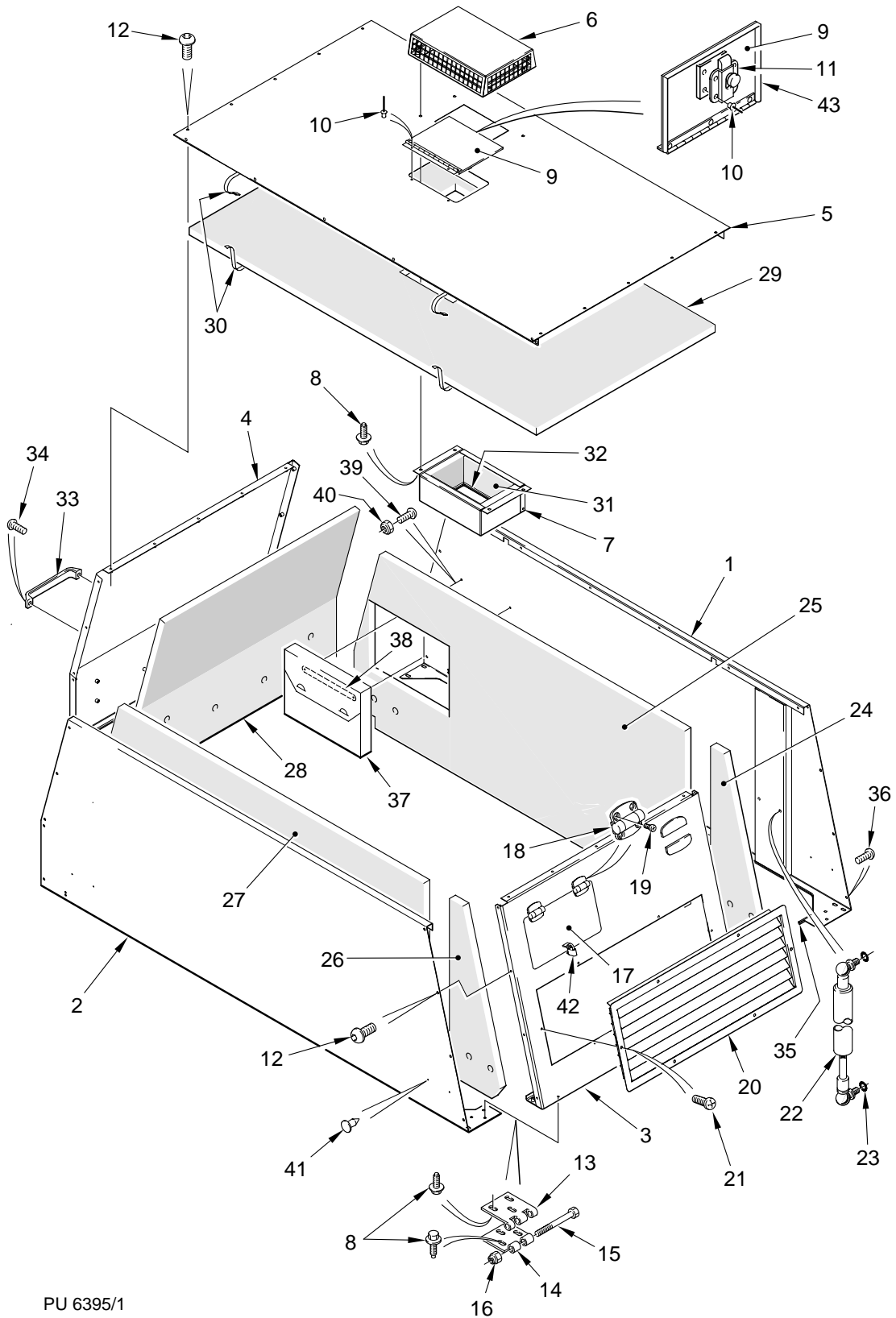
REF	PART NO.	DESCRIPTION	QTY
1	95044/0388DFB	SCREW	12
2	95044/0248/DFB	SCREW	4





CANOPY ASSEMBLY

REF	PART NO.	DESCRIPTION	QTY
1	1711-00550	PANEL - SIDE L.H.	
2	1711-00590	PANEL - SIDE R.H.	
3	1711-00500	PANEL - FRONT UPPER	
4	1711-00530	PANEL - REAR	
5	1711-00520	PANEL - ROOF	
6	1711-00840	ROOF DUCT - UPPER ASSEMBLY	
7	1711-00810	DUCT - ROOF LOWER	
8	98500/5073	SCREW	32
9	1710-00410	COVER - LIFTING BALE	
10	98480/5010/0001	RIVET	2
11	98382/5009	CATCH - SLAM	
12	95033/0392	SCREW	24
13	C15448-089	HINGE - TOP HALF	2
14	C15448-088	HINGE - BOTTOM HALF	2
15	95007/0183	BOLT	2
16	95140/0015	NUT - LOCKING	2
17	1711-01140	DOOR - CONTROL PANEL	
	1708-05760	DOOR CONTROL PANEL (EARLY MODELS)	
	98504/8003	RUBBER SEAL STRIP (AROUND DOOR APERTURE)	
18	98313/5011	HINGE	2
19	95044/0246	SCREW	8
20	1711-00800	FRONT DUCT ASSEMBLY	
21	95044/0388 DFB	SCREW	6
22	98518/5057	DAMPER	2
23	95186/0020	WASHER - SHAKEPROOF	
24	1711-00980	INSULATION	
25	1711/00950	INUSLATION	
26	1711-00940	INSULATION	
27	1711-00970	INSULATION	
28	1711-00960	INSULATION	
29	1711-00990	INSULATION	
30	98150/5025	STRAPPING	4
	98150/5026	BUCKLE	4
31	1711-01000	INSULATION	4
32	98504/8010	STRIP - RUBBER	
33	98310/5028	HANDLE	
34	95044/0392 DFB	SCREW	2
35	98504/8010	STRIP - RUBBER	
36	95044/0388 DFB	SCREW	4
37	98615/5007	WALLET - DOCUMENT	
38	1710-05500	PLATE - BACKING	
39	95044/0346 DFB	SCREW	2
40	95141/0005	NUT - NYLON	2
41	A10302/0010	FASTENER - NYLON	8
42	A1413/0010	PADLOCK AND KEY	2
43	98504/8003	RUBBER SEAL STRIP	



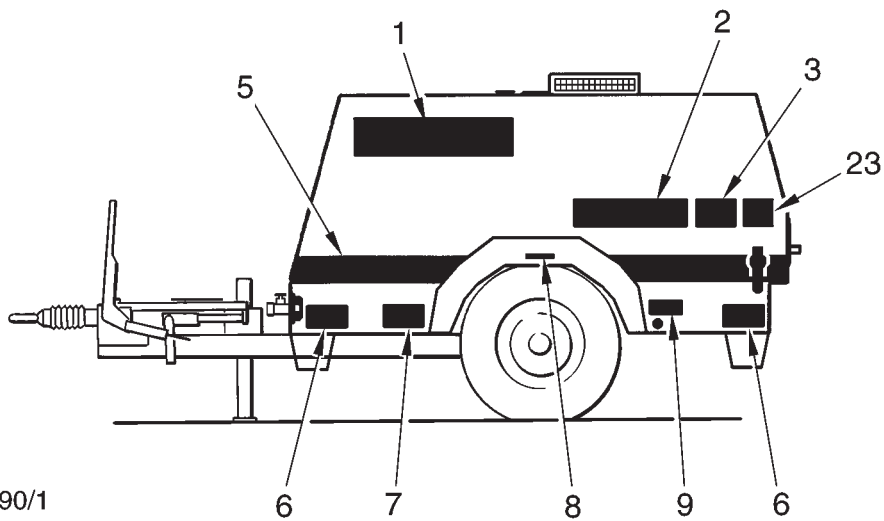
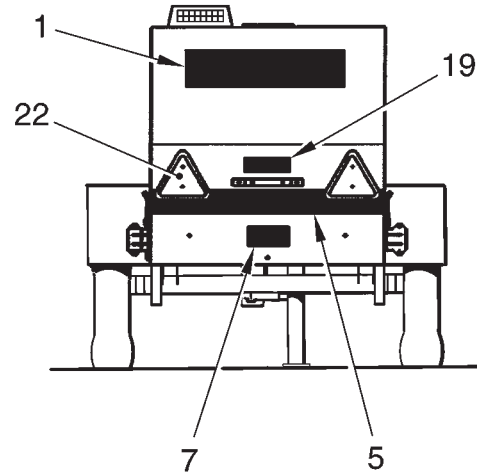
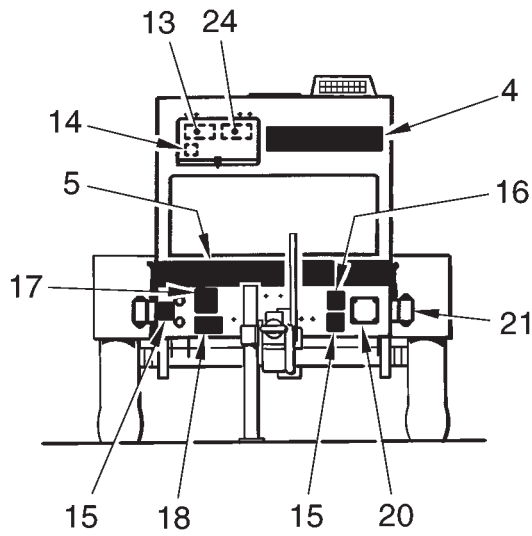
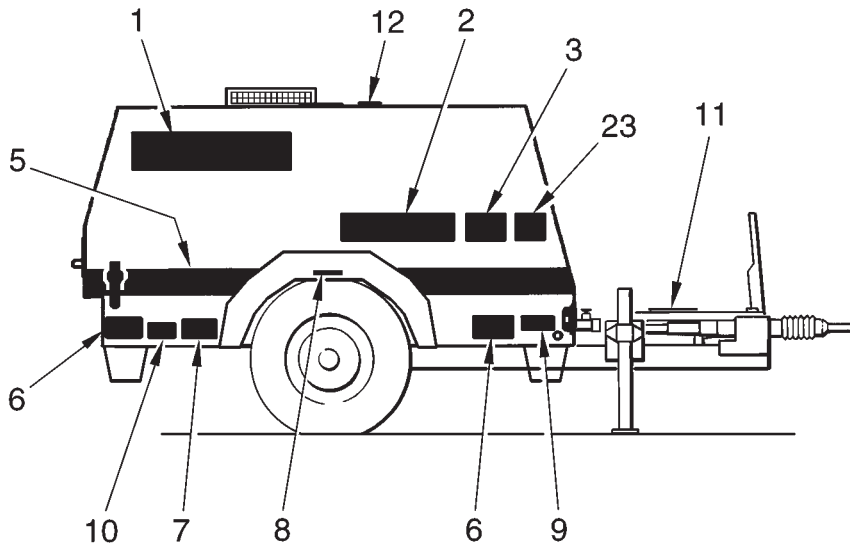
PU 6395/1

LOGO / SPECIFICATION AND TRAFFIC PLATES

REF	PART NO.	DESCRIPTION	QTY
1	1400-11750	VINYL- COMPAIR	3
*	1400-11820	VINYL- COMPAIR	3
2	1400-11751	VINYL- HOLMAN	2
*	1400-11830	VINYL- HOLMAN	2
OR	1400-11920	VINYL- ZEPPELIN	2
*	1400-11960	VINYL- ZEPPELIN	2
3	1400-15020	VINYL- 30	2
*	1400-15030	VINYL- 30	2
OR	1400-15240	VINYL - 25-5 SUPERGAS	2
4	1400-14440	VINYL - COMPAIR	
*	1400-14610	VINYL - COMPAIR	
5	1400-15700	VINYL- BLACK STRIPE	
6	1400-14550	VINYL- LASHING POINT	4
7	1400J07190	VINYL- LIFTING WARNING	3
8	C16025-013	VINYL- TYRE PRESSURE	2
9	1400-13010	VINYL- SYMBOL OIL DRAIN	
10	1400-13750	VINYL- FUEL DRAIN	
11	1400-11743	VINYL- HANDBRAKE WARNING	
12	1400-12720	VINYL- HOOK	
13	1400-11741	VINYL- READ THE BOOK	
14	1400-13820	VINYL- CE MARK	
15	1400-11744	VINYL- HOT SURFACE	2
16	1400-11747	VINYL- EXHAUST	
17	98381/5018	VINYL- SOUND POWER LEVEL	
18	1400-11740	VINYL- SWP 7 BAR	
19	1400-11742	VINYL- SAFETY WARNING	
20	C16010-029	PLATE - MANUFACTURERS	
	A6455/0064	POP RIVET	
	1708-06560	REFLECTOR ASSEMBLY Comprising: <span style="border: 1px solid black; display: inline-block; width: 100px; height: 15px; vertical-align: middle;"></span>	2
21	1708-01910	BRACKET - REFLECTOR	
	98380/5034	REFLECTOR - WHITE <span style="border: 1px solid black; display: inline-block; width: 100px; height: 15px; vertical-align: middle;"></span>	
	95044/0388DFB	SCREW	4
	95149/0010	WASHER	4
22	A1413/0147	PLATE - TRAILER	2
	95044/0248	SCREW	4
23	1400-11756	VINYL-G4 <span style="border: 1px solid black; display: inline-block; width: 15px; height: 15px; vertical-align: middle;"></span>	
*	1400-11900	VINYL-G4 <span style="border: 1px solid black; display: inline-block; width: 15px; height: 15px; vertical-align: middle;"></span> } GENERATOR MODELS ONLY	

ITEMS MARKED THUS \* ARE FOR NON STANDARD COLOUR CANOPIES

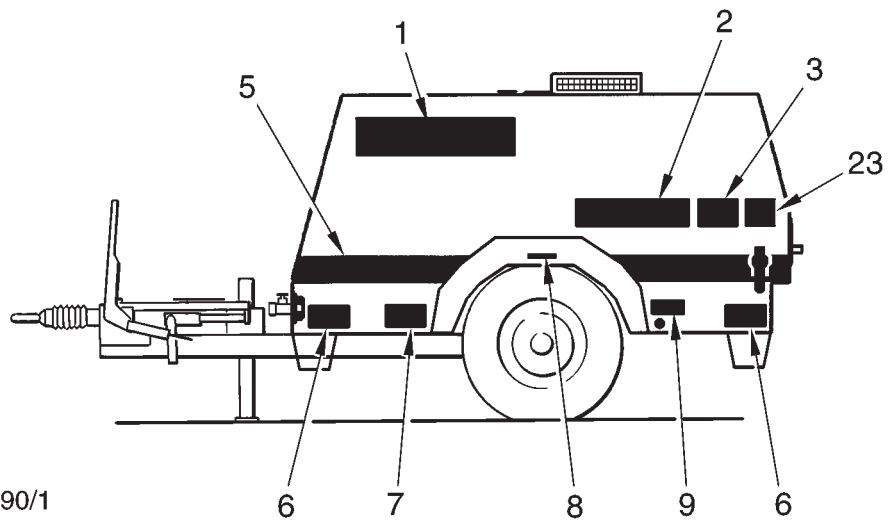
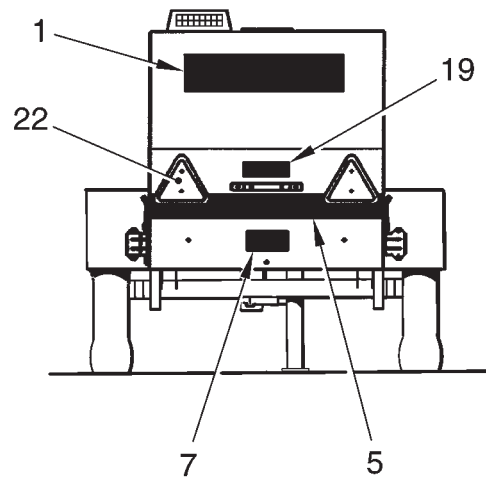
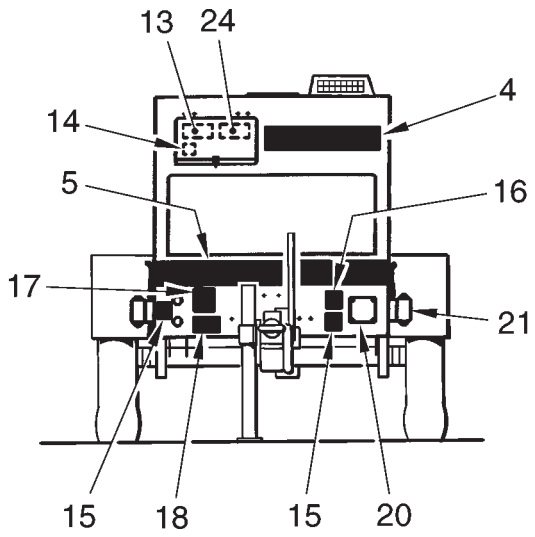
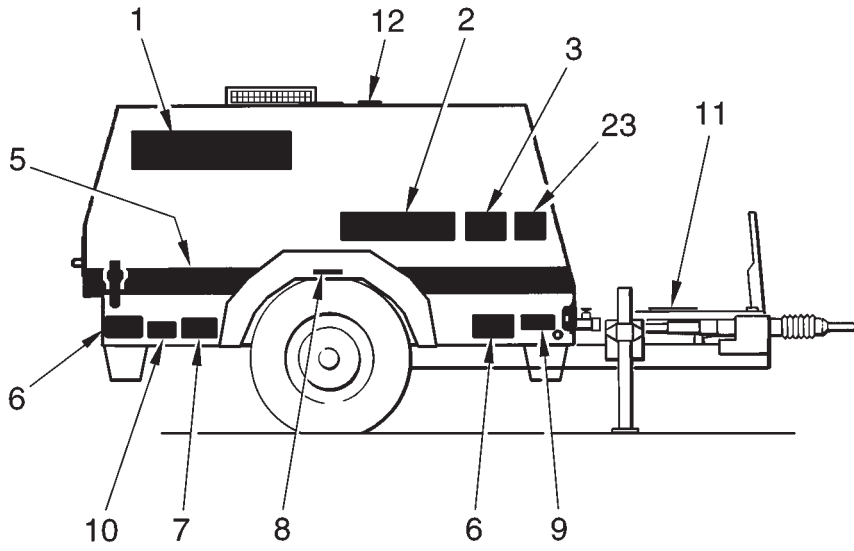
CONTINUED



PU 6390/1

LOGO / SPECIFICATION AND TRAFFIC PLATES (CONTINUED)

REF	PART NO.	DESCRIPTION	QTY
24	1400-14790	VINYL- WARRANTY WARNING - ENGLISH	
	1400-14800	VINYL- WARRANTY WARNING - FRENCH	
	1400-14810	VINYL- WARRANTY WARNING - GERMAN	
	1400-14820	VINYL- WARRANTY WARNING - SPANISH	
	1400-14830	VINYL- WARRANTY WARNING - DUTCH	
	1400-14840	VINYL- WARRANTY WARNING - PORTUGUESE	
	1400-14900	VINYL- WARRANTY WARNING - ITALIAN	
<b>NOT ILLUSTRATED</b>			
	C16010-044	SPECIFICATION PLATE	
	A6544/0064	POP RIVET (SECURE MANUFACTURERS AND SPECIFICATION PLATES)	
	C15448-626	VINYL - ROAD BREAKER (TOOL TRAYS)	
	1400-11745	VINYL - FUEL FILLER (ADJACENT FUEL FILLER)	
	1400-11810	VINYL - OIL FILL (ADJACENT ENGINE OIL & PRESSURE VESSEL FILLER)	2
	1400-13310	VINYL - ETHER WARNING (FIT TO AIR FILTERS)	2
	1400-11744	VINYL - HOT SURFACE (FIT TO TOOL TRAY)	
	1400-13270	VINYL - CAUTION ROTATING MACHINERY (BAFFLE COOLER TOP BOTH SIDES)	2
	1400-13460	VINYL - COMPRESSOR OIL SYMBOLS (PRESSURE VESSEL)	



PU 6390/1

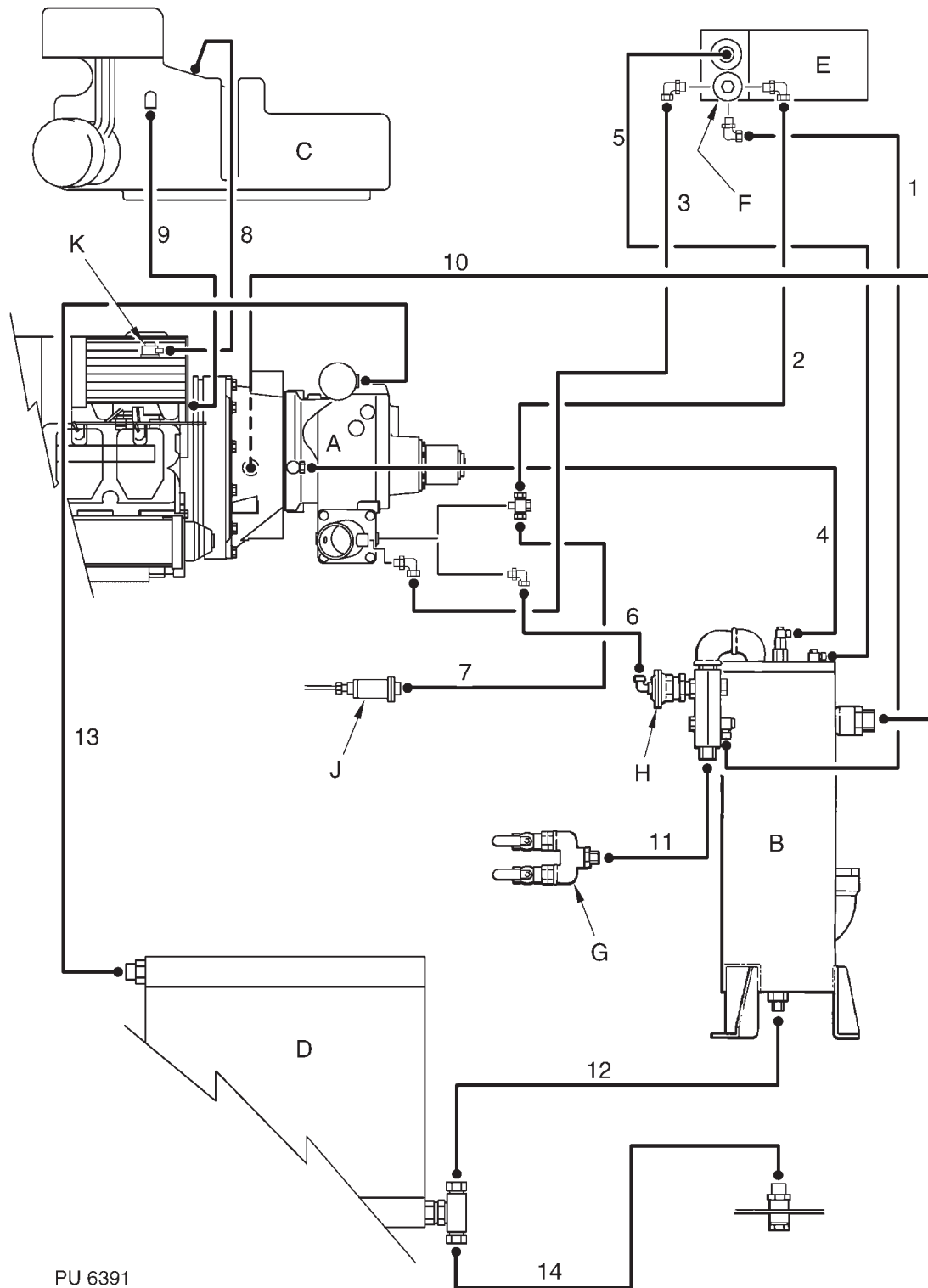
AIR / OIL / FUEL PIPE CIRCUIT

REF	PART NO.	DESCRIPTION	QTY
1	98617/8001/0043	PIPE - NYLON	
2	98617/8001/0102	PIPE - NYLON	
3	98617/8001/0074	PIPE - NYLON	
4	98617/8001/0053	PIPE - NYLON	
5	98617/8041/0048	PIPE - NYLON	
6	98617/8041/0030	PIPE - NYLON	
7	98617/8001/0086	PIPE - NYLON	
8	98315/5186/0170	HOSE	
	95370/0001	CLAMP - HOSE	
9	98315/5176/0160	HOSE	
	98150/5050/0002	CLAMP - HOSE	
10	C16069-532	HOSE	
11	C16067-552	HOSE	
12	C16067-551	HOSE	
13	C16067-553	HOSE	
14	C16066-526	HOSE	

**NOT ILLUSTRATED**

A10301/0047	WRAP - SPIRAL (WRAP TUBES)	
98150/8042	CABLE TIE - NYLON	4
98150/8045	CABLE TIE - NYLON	4

- A REFERS TO AIR END
- B REFERS TO PRESSURE VESSEL
- C REFERS TO FUEL TANK
- D REFERS TO OIL COOLER
- E REFERS TO CONTROL PANEL
- F REFERS TO VALVE 2-WAY/NEEDLE VALVE
- G REFERS TO DELIVERY MANIFOLD
- H REFERS TO BLOW DOWN VALVE
- J REFERS TO SPEED CONTROL
- K REFERS TO FUEL LIFT PUMP



PU 6391



ELECTRICAL CIRCUIT

REF	PART NO.	DESCRIPTION	QTY
1		CONNECTOR	
2		HOURMETER	
3		FUSE	
4		LIGHT - SHUTDOWN WARNING	
5		LIGHT - BATTERY CHARGE WARNING	
6		RELAY (FUEL SHUT OFF SOLENOID)	
7		SWITCH - START	
8		SWITCH - ENGINE OIL PRESSURE OVERRIDE	
9		SWITCH - POWER ON/OFF	
10	1798-00480	WIRING - CONTROL PANEL	
11		*SOLENOID - FUEL SHUT OFF	
12		*SWITCH - ENGINE OIL TEMPERATURE	
13		SWITCH - AIR END TEMPERATURE	
14		SWITCH - RECEIVER TEMPERATURE	
15		*SWITCH - ENGINE OIL PRESSURE	
16		*ALTERNATOR	
17		*MULTIPLUG	
18		*MOTOR - STARTER	
19		RELAY	
20		BATTERY	
21		REFERS TO FLOAT SWITCH	
22		REFERS TO RELAY FOR LOW FUEL LEVEL CIRCUIT	
23		REFERS TO LOW FUEL LEVEL WARNING LIGHT	

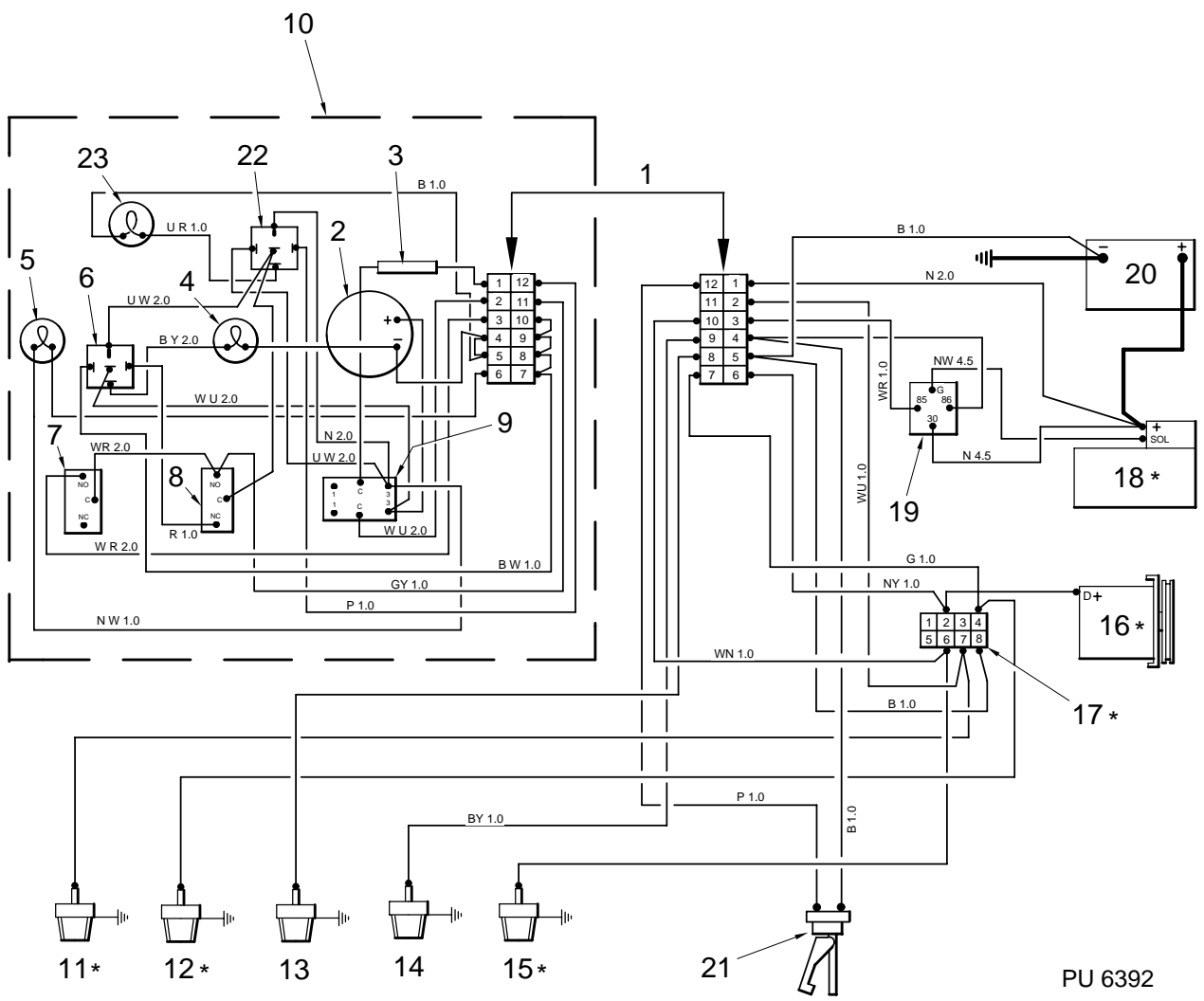
**NOT ILLUSTRATED**

1798-00470      HARNESS - WIRING COMPLETE

ITEMS ON LIST AND CIRCUIT SHOWN THUS \* ARE SUPPLIED WITH ENGINE

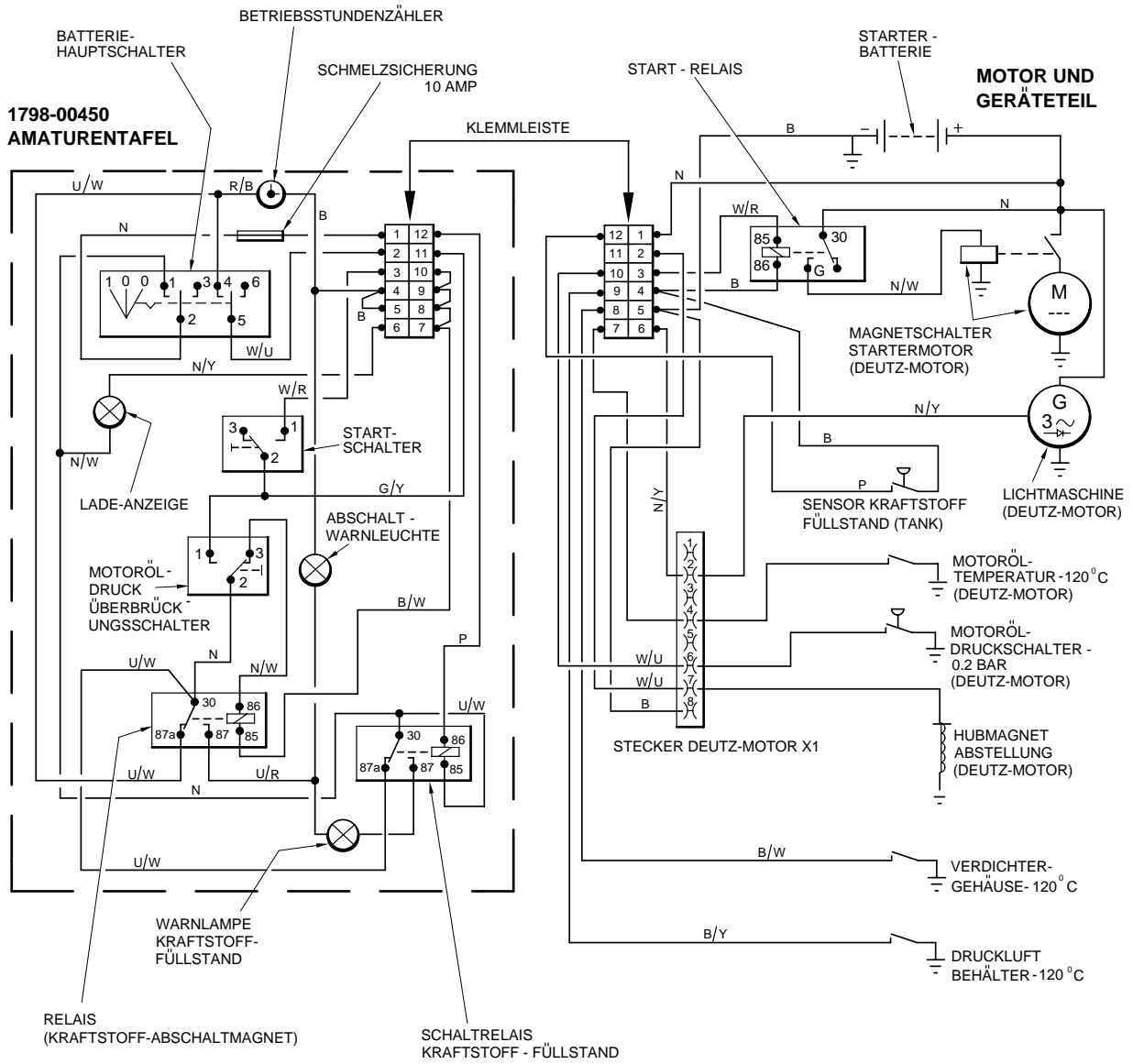
**COLOUR CODE**

B - BLACK  
 B/W - BLACK/WHITE  
 B/Y - BLACK/YELLOW  
 G/U - GREEN/BLUE  
 G/Y - GREEN/YELLOW  
 N - BROWN  
 N/Y - BROWN/YELLOW  
 P - PURPLE  
 W - WHITE  
 W/R - WHITE/RED  
 W/U - WHITE/BLUE  
 W/N - WHITE/BROWN  
 N/W - BROWN/WHITE





# ELEKTRISCHER SCHALTPLAN



**NICHT ABGEBILDET**  
1798-00470 VERDRÄHTUNGS - KABELBAUM KOMPLETT

**FARBCODE**

PU 6393

B	-	SCHWARZ	P	-	VIOLETT
B/W	-	SCHWARZ/WEISS	W	-	WEISS
B/Y	-	SCHWARZ/GELB	W/R	-	WEISS/ROT
G/U	-	GRÜN/BLAU	W/U	-	WEISS/BLAU
G/Y	-	GRÜN/GELB	W/N	-	WEISS/BRAUN
N	-	BRAUN	N/W	-	BRAUN/WEISS
N/Y	-	BRAUN/GELB			



## SECTION B

---

OPTIONAL FITTINGS WHICH MAY BE INCLUDED ON YOUR COMPRESSOR

<b>OPTIONAL FITTING</b>	<b>BUILD NUMBER</b>	<b>PAGE NUMBER</b>
TOWING LIGHTS	D7205/0002	63
LUBRICATOR	D8004//0003	65

TOWING LIGHTS

REF	PART NO.	DESCRIPTION	QTY
	98380/5061	KIT - ROADLIGHTS comprising:	
1	98380/5061/0001	LOOM - CABLES and PLUG	
2	98380/5061/0004	LAMP - R.H.	
3	98380/5061/0005	LAMP - L.H.	2
4	98380/5061/0002	LENS - R.H.	
5	98380/5061/0003	LENS - L.H.	
6	98380/5066/0001	BULB - INDICATOR	2
7	98380/5059/0001	BULB - STOP/TAIL	2
8	98380/5066/0001	BULB - FOGLIGHT	2
9	98380/5067/0001	BULB - NUMBER PLATE	2
10	1710-01630	BOARD - LIGHTING	
11	95044/0458 DFB	SCREW	3
12	95191/0009	WASHER - SHAKEPROOF	3
13	C11470-1080	SPACER	3
14	98504/0003	EDGING TRIM	
15	REFERS TO REAR OF BASE ASSEMBLY		
16	98140/8001	SOCKET - PARKING	
17	95044/0254/ DFB	SCREW	4
18	REFERS TO FRONT OF BASE ASSEMBLY		

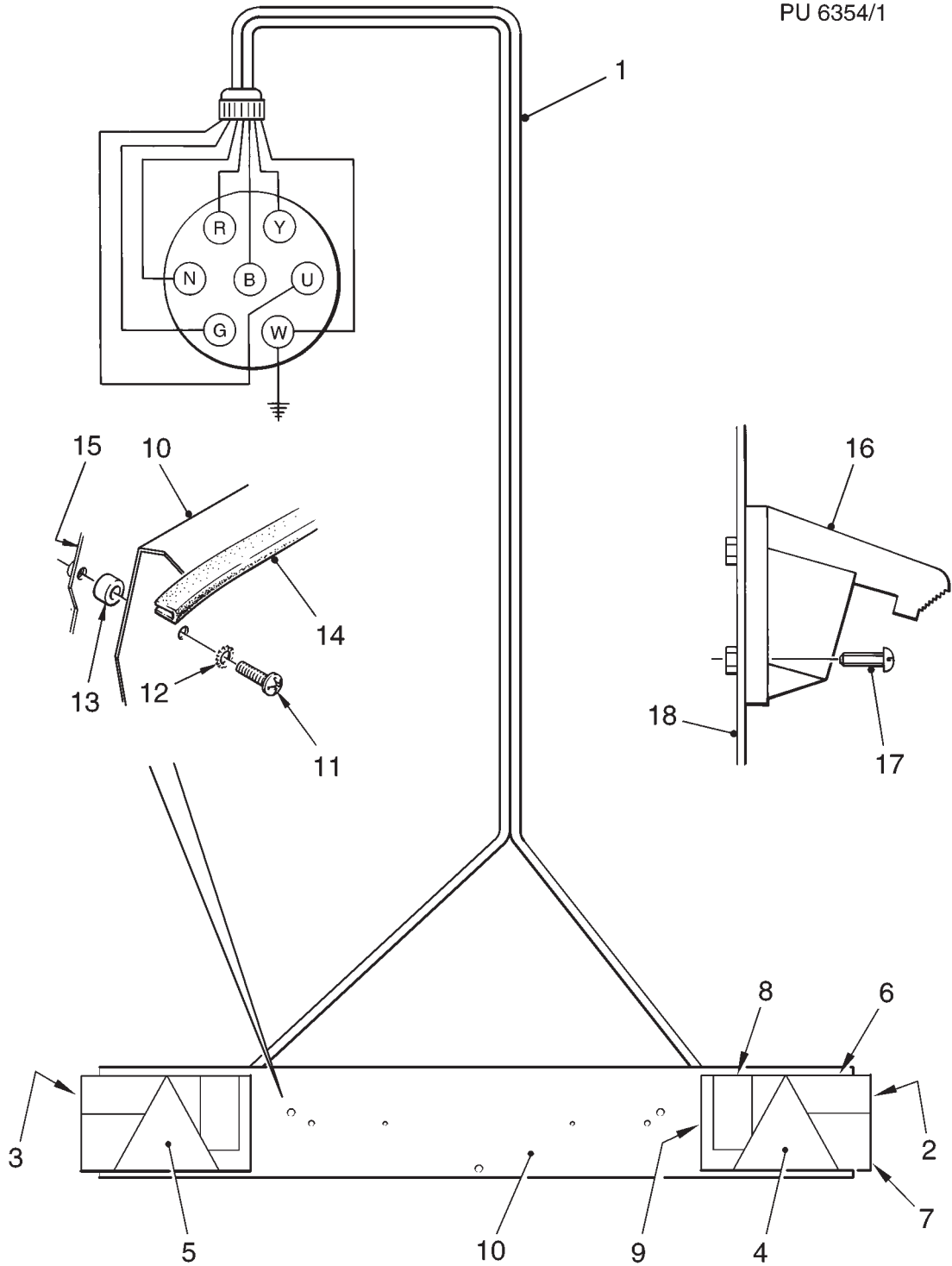
**NOT ILLUSTRATED**

98150/5059/0004	CLIP - CABLE (BASE UNDERSIDE)	8
98150/5059/0003	CLIP - CABLE (REAR BASE/LIGHTING BOARD)	4
A10301/0048	CABLE WRAP (EXPOSED LOOM)	
98260/8030	EDGE CLIP (RETAIN EDGING TRIM)	8
98480/5009/0001	RIVET - NYLON (NUMBER PLATE - ZEPPELIN MACHINES ONLY)	2

**COLOUR CODE**

W - WHITE	N - BROWN	P - PURPLE
B - BLACK	R - RED	Y - YELLOW
G - GREEN	U - BLUE	

PU 6354/1

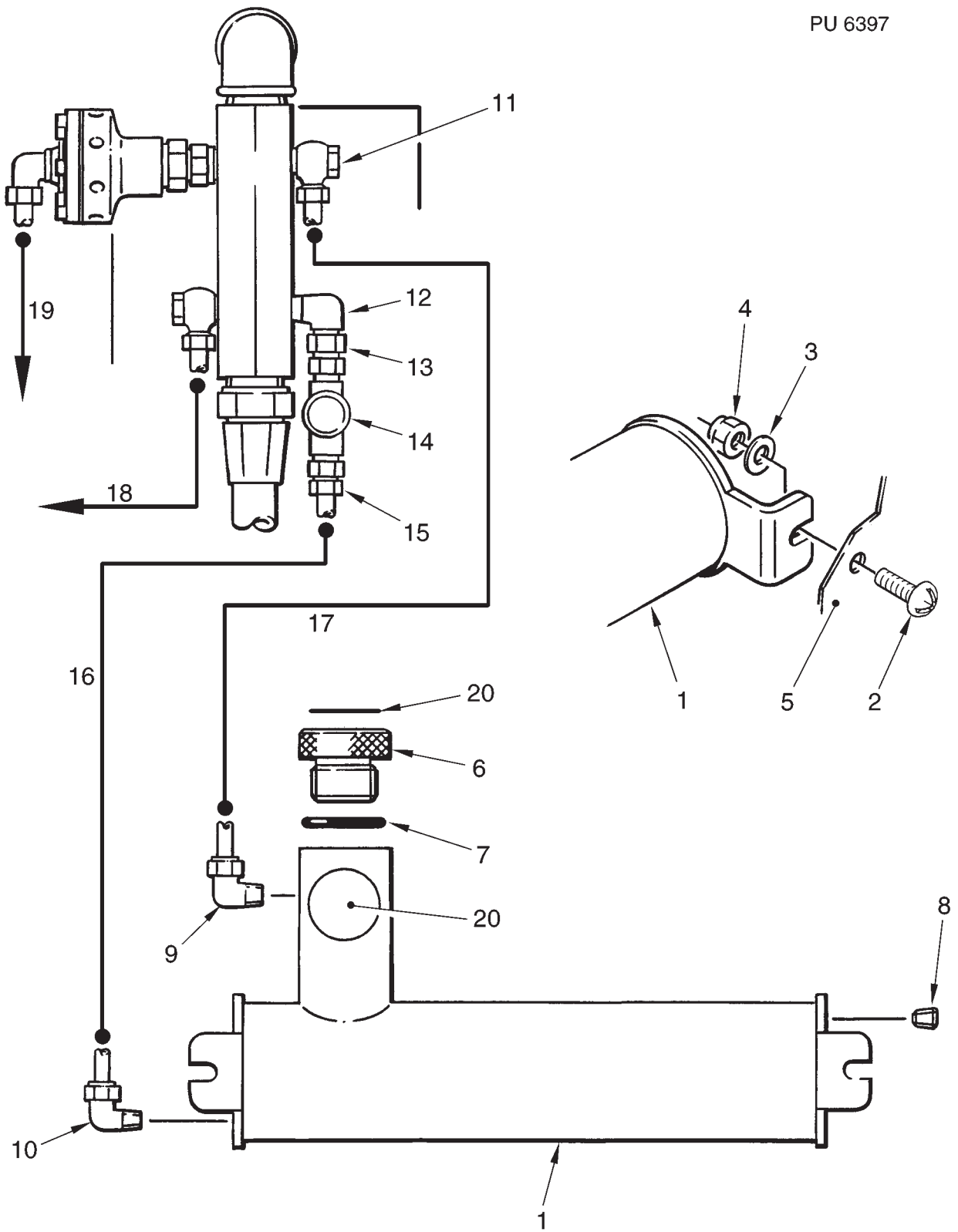




LUBRICATOR

---

REF.	PART NO.	DESCRIPTION	QTY
1	C11470-1125	RESERVOIR LUBRICATOR	
2	95044/0456 DFB	SCREW	2
3	95149/0014	WASHER	2
4	95141/0007	NUT - NYLOC	2
5	REFERS TO BASE SIDE		
6	1500J71900	SCREW CAP	
7	95600/0079	'O' RING	
8	905002001	PLUG	
9	95440/00245	ELBOW	
10	95440/0228	ELBOW	
11	95440/0581	BANJO	
12	95406/0052	ELBOW	
13	95406/0797	NIPPLE	
14	98650/5044	NEEDLE VALVE	
15	95440/0031	COUPLING	
16	98617/8041/0130	PIPE - NYLON	
17	98617/8001/0130	PIPE- NYLON	
18	PIPE TO 2 WAY VALVE/PRESSURE REGULATOR		
19	PIPE TO AIR END		
20	1400-15120	VINYL - TONI 32	2
<b>NOT ILLUSTRATED</b>			
	1400-12600	VINYL - LUBRICATOR	





## SECTION C

### ALTERNATOR OPTIONS

---

<b>110 VOLT 4 kW</b> HOLMAN G4	DA033/1043
<b>110 VOLT 5 kW</b> HOLMAN G5 SUPERGAS	DA033/1718
<b>220 VOLT 4 kW</b> HOLMAN G4	DA033/1032
<b>220 VOLT 4 kW</b> HOLMAN G4 WITH EURO SOCKETS	DA033/1042
<b>220 VOLT 5 kW G5</b> HOLMAN G5	DA033/1738

### CONTENTS

#### PAGE

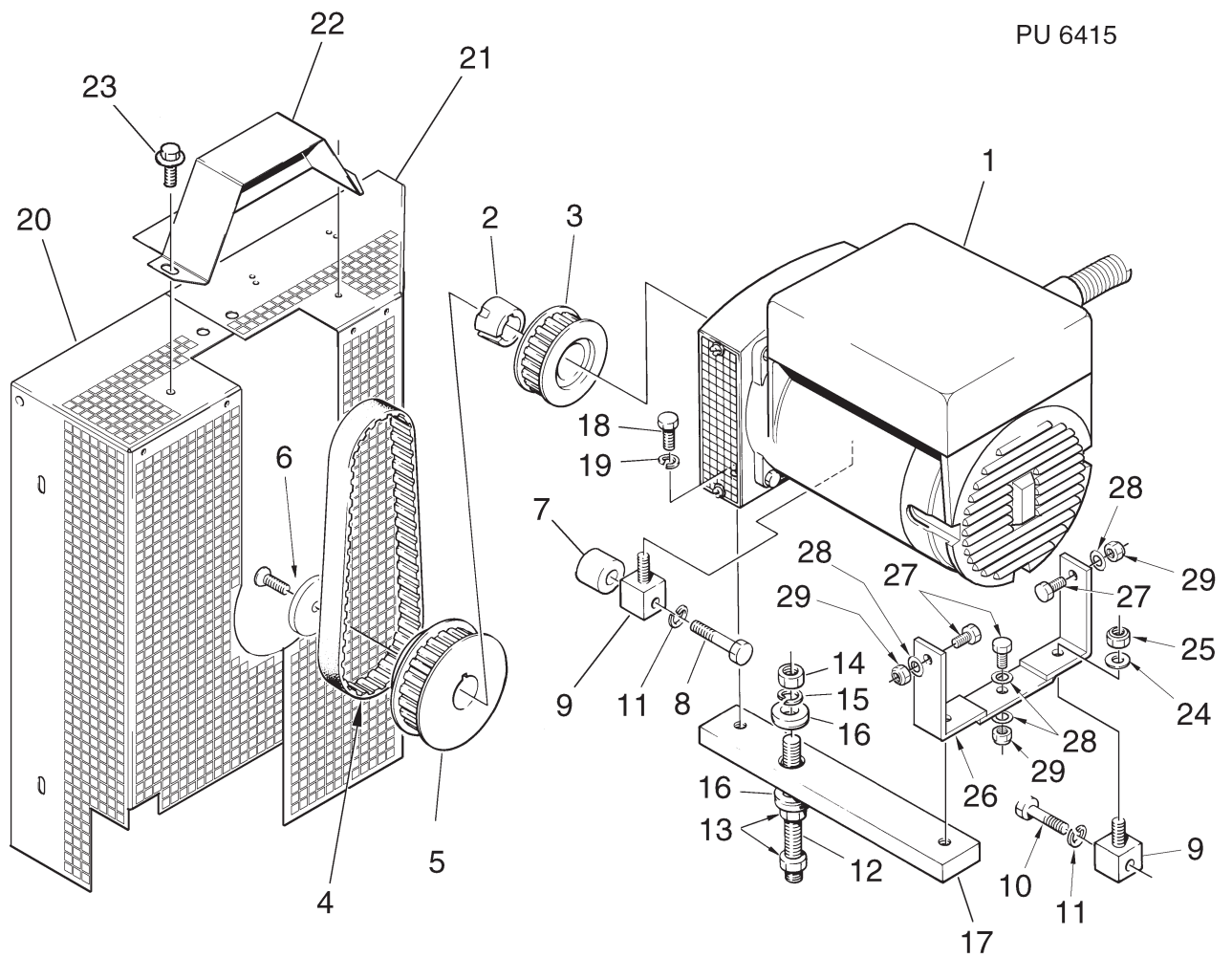
---

ALTERNATOR & FITTINGS	69
ALTERNATOR PANEL & FITTINGS	71
FITTINGS - ELECTRIC CONTROL BOX	73
CIRCUIT BREAKER / TERMINAL BLOCK DETAILS	75
ELECTRICAL CIRCUITS	77

ALTERNATOR AND FITTINGS

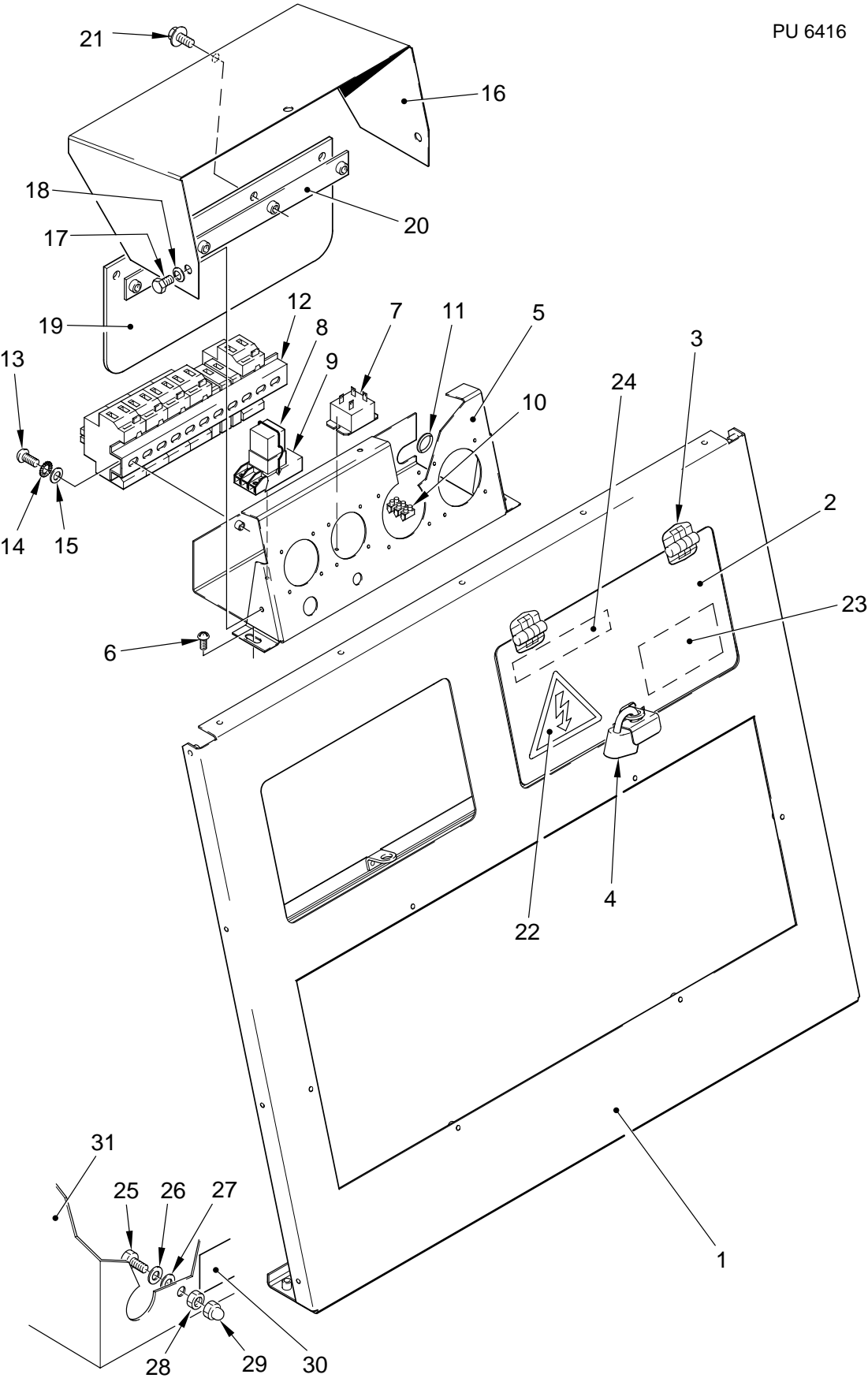
REF.	PART NO.	DESCRIPTION	QTY
1	98012/8009	ALTERNATOR - 110 VOLT 4kW	
	98012/8011	ALTERNATOR - 110 VOLT 5kW	
	98012/8014	ALTERNATOR - 220 VOLT 4kW, 220 VOLT 5kW	
2	98074/8005	BUSH - TAPER LOCK	
3	98080/8013	PULLEY - TIMING BELT	
4	98080/8009	BELT	
5	1708-00280	PULLEY ASSEMBLY COMPLETE:	
	914064031	SCREW	
6		SCREW & LOCKING PLATE (DETAILS PAGE11 ITEMS 36 & 37)	
7	1329-00280	SPACER - ALTERNATOR MOUNTING	
8	95007/0177	BOLT	
9	C15448-815	PIVOT BLOCK (220 VOLT 4kW & 220 VOLT 4kW EUROSOCKET)	2
	1708-03440	PIVOT BLOCK (110 VOLT 4kW & 25-5 kW SUPERGAS)	
10	95007/0173	BOLT	2
11	95179/0007	WASHER - SPRING	2
12	1708-05320	STUD - JACKING	
13	95118/0009	NUT	2
14	95112/0009	NUT	
15	95179/0010	WASHER - SPRING	2
16	98660/5011/0008	WASHER - SPHERICAL SEATING	2
17	1708-00740	JACKING BAR - ALTERNATOR	
18	95001/0283	SCREW	2
19	95179/0007	WASHER - SPRING	2
20	1711-01090	FAN GUARD - L.H.	
21	1711-01110	FAN GUARD - R.H.	
22	1711-01210	GUARD - PULLEY	
23	98500/5073	SCREW	3
24	95149/0015	WASHER	2
25	95140/0015	NUT - SELF LOCK	
26	1330-00150	BRACKET - ALTERNATOR FOOT	
27	95001/0284	SCREW	3
28	95149/0015	WASHER	4
29	95141/0008	NUT - NYLOC	3

PU 6415



ALTERNATOR PANEL AND FITTINGS

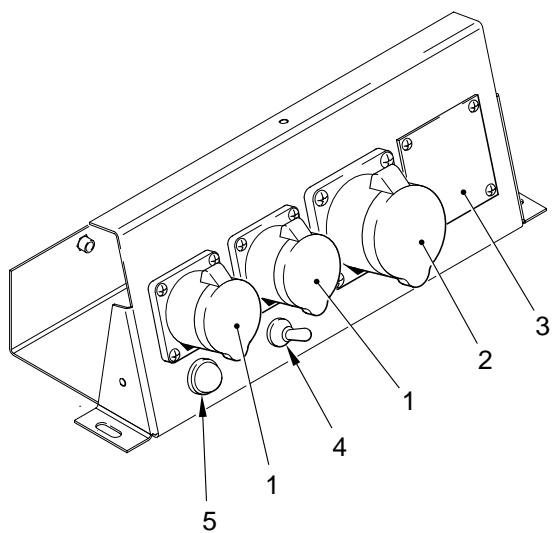
REF.	PART NO.	DESCRIPTION	QTY
1	1711-00900	PANEL - FRONT	
2	1711-01150	DOOR - CONTROL ELECTRICS	
3	98313/5011	HINGE	2
	95044/0246	SCREW	8
4	A1413/0010	PADLOCK AND KEY	
5	1711-01050	PANEL - CONTROL ELECTRICS (FOR SOCKET DETAILS SEE PAGE 73)	
6	95044/0248DFB	SCREW - PANEL/BOX - FAN COWL	2
7	98475/8003	RELAY (ALL MODELS)	
7A	98475/8003	RELAY (SUPERGAS MODEL)	
	95044/0248	SCREW	2
	95186/0014	WASHER - SHAKEPROOF	2
8	98475/8002	RELAY	
	98475/8001	BASE	
	914046013	SCREW	2
	95187/0014	WASHER - SHAKEPROOF	2
	A1436/0005	NUT	2
9	98241/8008	COVER	
10	98140/8002	TERMINAL BLOCK	
	95044/0254	SCREW	2
	95179/0003	WASHER - SPRING	2
	95149/0010	WASHER	2
11	98286/5011/0012	GROMMET	
12	C11470-338	MOUNTING RAIL (FOR CIRCUIT BREAKER DETAILS SEE PAGE 75)	
13	95044/0388	SCREW	2
14	95186/0018	WASHER - SHAKEPROOF	2
15	95149/0013	WASHER	2
16	1711-01070	COVER - RELAYS	
17	95001/0227	SCREW	2
18	910014001	WASHER - CONICAL	2
19	1708-02870	CURTAIN - RUBBER	
20	1708-02900	SUPPORT - CURTAIN	
21	98500/5073	SCREW	4
22	C20089-265	VINYL - ELECTRIC WARNING	
23	1400J03020	VINYL - MAXIMUM OUTPUT	
24	1400-10470	VINYL - AIR / ELECTRIC	
	1400-10460	VINYL - AIR / AIR + ELECTRIC (SUPERGAS MODEL)	
25	98500/5054/0001	SCREW - EARTH TERMINAL	
26	95151/0014	WASHER - BRASS	
27		REFERS TO EARTH LEADS	
28	95114/0008	NUT - BRASS	
29	95138/0008	NUT - DOMED	
30	1400-10450	VINYL - EARTH STAKE	
31		REFERS TO CHASSIS FRONT	



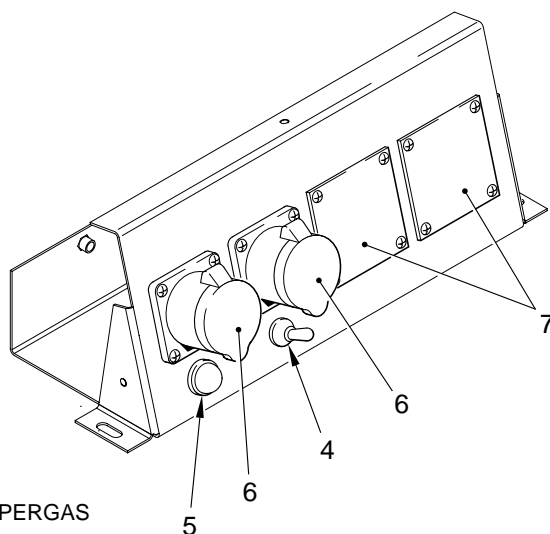


FITTINGS - ELECTRIC CONTROL BOX

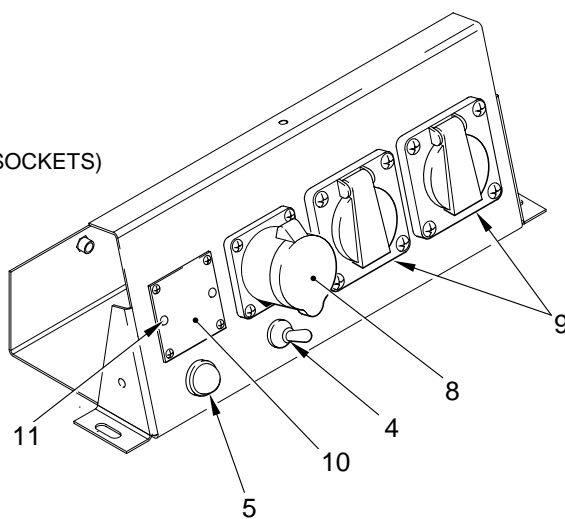
REF	PART NO.	DESCRIPTION	QTY.
1	98241/8010	SOCKET - 16 AMP	2
	95044/0248DFB	SCREW	8
	95186/0014	WASHER - SHAKEPROOF	8
2	98241/8009	SOCKET - 32 AMP	
	95044/0248DFB	SCREW	4
	95186/0014	WASHER - SHAKEPROOF	4
3	C15448-870	BLANKING PLATE	
	95044/0248DFB	SCREW	4
	95186/0014	WASHER - SHAKEPROOF	4
4	98524/8010	TOGGLE SWITCH	
	98524/8009	TOGGLE COVER	
	98241/8014	SOCKET - 16 AMP	
5	A1500/0274	BULB HOLDER	
	A10301/0001	BULB	
6	98241/8014	SOCKET - 16 AMP	2
	95044/0248DFB	SCREW	8
	95186/0014	WASHER - SHAKEPROOF	8
7	C15448-870	BLANKING PLATE	2
	95044/0248DFB	SCREW	8
	95186/0014	WASHER - SHAKEPROOF	8
8	98241/8014	SOCKET - 16 AMP	
	95044/0248DFB	SCREW	4
	95186/0014	WASHER - SHAKEPROOF	4
9	98241/8035	SOCKET - 2 PIN 16 AMP	2
	95044/0248DBF	SCREW	8
	95186/0014	WASHER - SHAKEPROOF	8
10	C11470-888	BLANKING PLATE	
	95044/0248DFB	SCREW	4
	95186/0014	WASHER - SHAKEPROOF	4
11	98442/0001	PLUG - NYLON	2



**110V 4kW**  
 HOLMAN 30 G4  
 HOLMAN 25 - 5 kW SUPERGAS



**220V 4kW**  
 HOLMAN 30 G4  
 HOLMAN 25 - 5 kW SUPERGAS

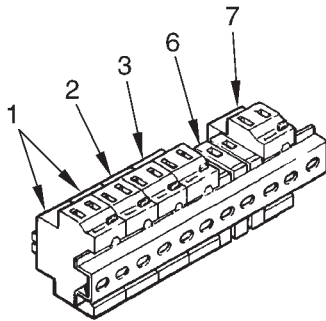


**220V 4kW**  
 HOLMAN 30 G4 (EUROSOCKETS)

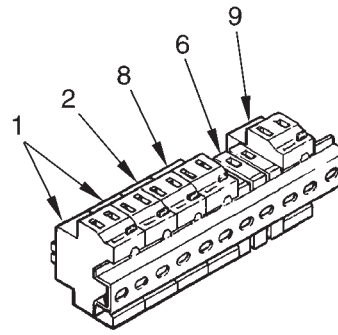
PU 6418

CIRCUIT BREAKER / TERMINAL BLOCK DETAILS

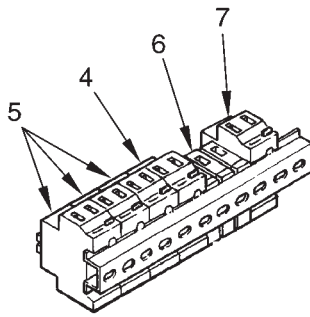
<b>REF.</b>	<b>PART NO.</b>	<b>DESCRIPTION</b>	<b>QTY.</b>
1	98524/5045	CIRCUIT BREAKER - 16 AMP	2
2	98524/5059	CIRCUIT BREAKER - 32 AMP	
3	98524/5058	CIRCUIT BREAKER - 40 AMP	
4	98524/5057	CIRCUIT BREAKER - 20 AMP	
5	98524/5045	CIRCUIT BREAKER - 15 AMP	3
6	98524/5068	TERMINAL BLOCK	3
7	98524/5044	RESIDUAL CURRENT CIRCUIT BREAKER	



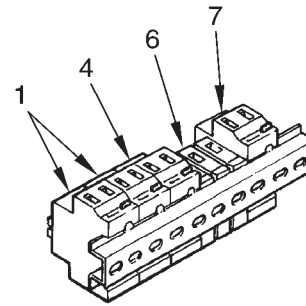
**110 VOLT 4 kW**  
30 - G4



**110 VOLT 5 kW**  
25 - 5 kW SUPERGAS

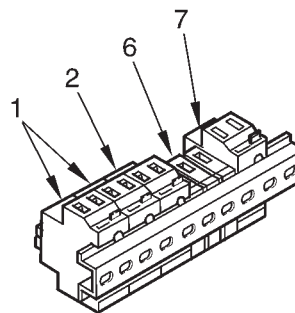


**220 VOLT 4 kW (EURO SOCKETS)**  
30 - G4



**220 VOLT 4 kW**  
30 - G4

PU 6420/2



**220 VOLT 5 kW**  
25 - 5 kW SUPERGAS

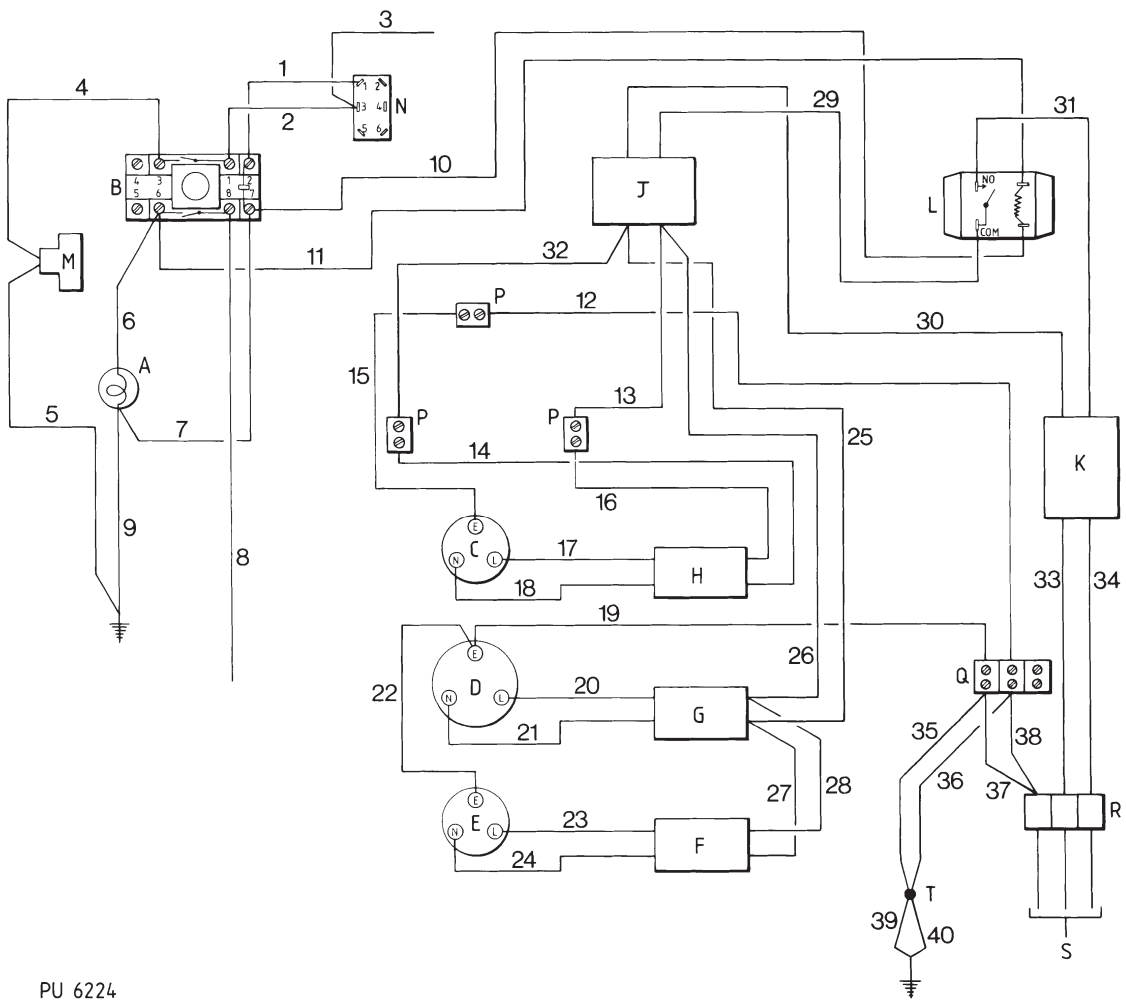
ALTERNATOR ELECTRICAL CIRCUIT - 1798-00230

(110 VOLT 4 KW) HOLMAN 30 - G4 SUPERGAS  
 (110 VOLT 5 KW) HOLMAN 30 - G5 SUPERGAS

REF	COLOUR	REF	COLOUR
1	GREEN	21	BLACK
2	GREEN/WHITE	22	GREEN/YELLOW
3	GREEN/WHITE (TO PIN 2 ON CONTROL PANEL)	23	RED
4	WHITE	24	BLACK
5	BLACK	25	BLACK
6	BROWN/WHITE	26	RED
7	BLACK	27	BLACK
8	BROWN (TO STARTER MOTOR)	28	RED
9	BLACK	29	RED
10	BLACK	30	BLACK
11	BROWN/WHITE	31	RED
12	GREEN/YELLOW	32	BLACK
13	RED	33	BLACK
14	BLACK	34	RED
15	GREEN/YELLOW	35	GREEN/YELLOW
16	RED	36	GREEN/YELLOW
17	RED	37	GREEN/YELLOW
18	BLACK	38	GREEN/YELLOW
19	GREEN/YELLOW	39	GREEN/YELLOW
20	RED	40	GREEN/YELLOW

A - MODE LIGHT  
 B - OCTAL BASE RELAY  
 C - SOCKET - 16 AMP  
 D - SOCKET - 32 AMP  
 E - SOCKET - 16 AMP  
 F - CIRCUIT BREAKER  
 G - CIRCUIT BREAKER  
 H - CIRCUIT BREAKER  
 J - CIRCUIT BREAKER

K - EARTH LEAKAGE CIRCUIT BREAKER  
 L - RELAY  
 M - SPEED CONTROL SOLENOID  
 N - MODE SWITCH  
 P - TERMINAL BLOCKS  
 Q - TERMINAL BLOCK  
 R - TERMINAL BLOCK  
 S - CABLES FROM ALTERNATOR  
 T - EARTH STAKE TERMINAL



PU 6224

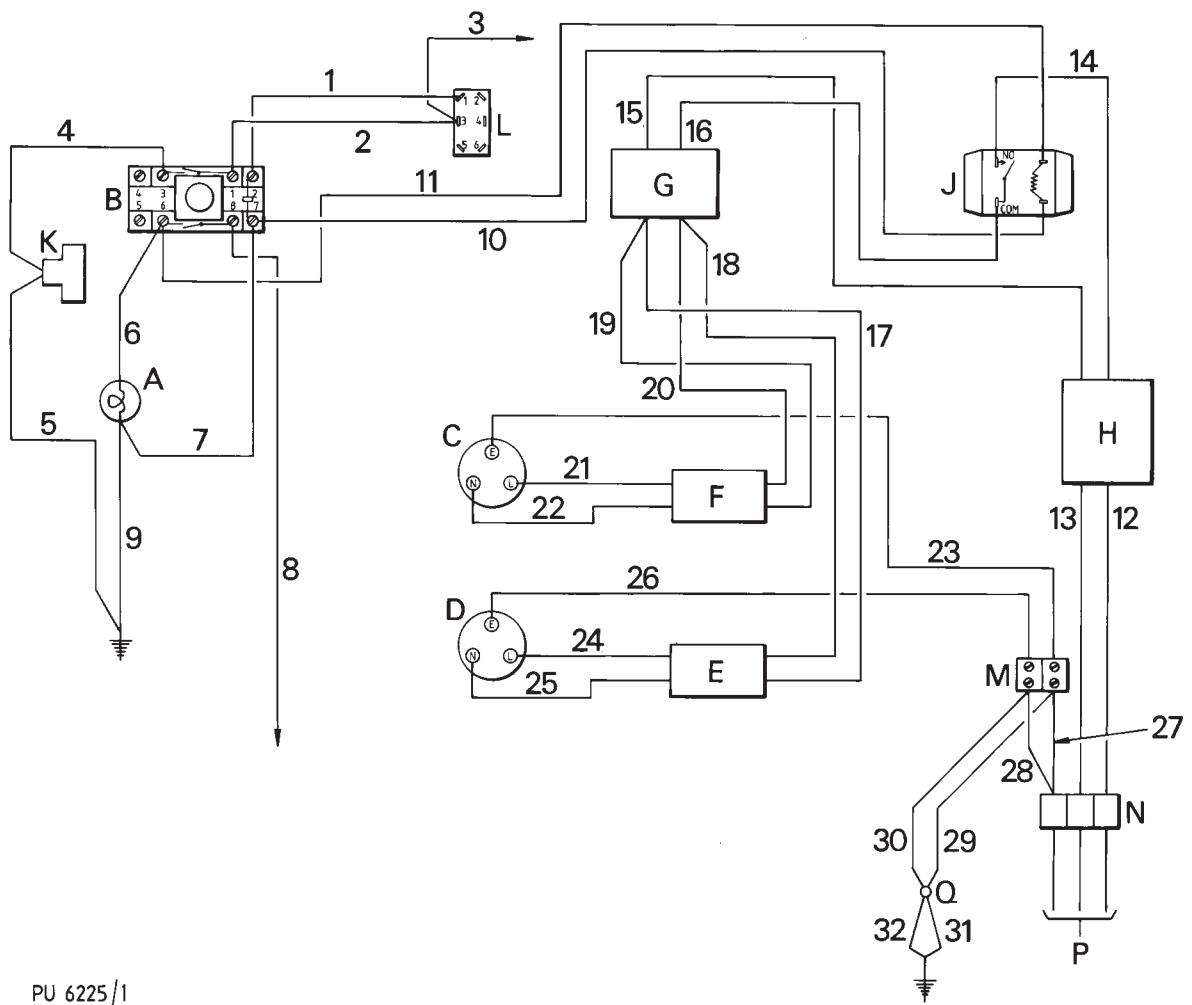
ALTERNATOR ELECTRICAL CIRCUIT - 1798-00270

(220 VOLT 4 KW) HOLMAN 30 - G4 SUPERGAS  
 (220 VOLT 5 KW) HOLMAN 30 - G5 SUPERGAS

REF	COLOUR	REF	COLOUR
1	GREEN	17	BLACK
2	GREEN/WHITE	18	RED
3	GREEN/WHITE (TO PIN 2 ON CONTROL PANEL)	19	BLACK
4	WHITE	20	RED
5	BLACK	21	RED
6	BROWN/WHITE	22	BLACK
7	BLACK	23	GREEN/YELLOW
8	BROWN (TO STARTER MOTOR)	24	RED
9	BLACK	25	BLACK
10	BLACK	26	GREEN/YELLOW
11	BROWN/WHITE	27	GREEN/YELLOW
12	RED	28	GREEN/YELLOW
13	BLACK	29	GREEN/YELLOW
14	RED	30	GREEN/YELLOW
15	BLACK	31	GREEN/YELLOW
16	RED	32	GREEN/YELLOW

A - MODE LIGHT  
 B - OCTAL BASE RELAY  
 C - SOCKET - 16 AMP  
 D - SOCKET - 16 AMP  
 E - CIRCUIT BREAKER  
 F - CIRCUIT BREAKER  
 G - CIRCUIT BREAKER

H - EARTH LEAKAGE CIRCUIT BREAKER  
 J - RELAY  
 K - SPEED CONTROL SOLENOID  
 L - MODE SWITCH  
 M - TERMINAL BLOCK  
 N - TERMINAL BLOCK (ON RAIL)  
 P - CABLES FROM ALTERNATOR  
 Q - EARTH STAKE TERMINAL



PU 6225/1



ALTERNATOR ELECTRICAL CIRCUIT - C11470-945

(220 VOLT 4 KW) HOLMAN 30 - G4 WITH EURO SOCKETS

REF	COLOUR	REF	COLOUR
1	GREEN	19	BLACK
2	GREEN/WHITE	20	RED
3	GREEN/WHITE (TO PIN 2 ON CONTROL PANEL)	21	RED
4	WHITE	22	BLACK
5	BLACK	23	GREEN/YELLOW
6	BROWN/WHITE	24	RED
7	BLACK	25	BLACK
8	BROWN (TO STARTER MOTOR)	26	GREEN/YELLOW
9	BLACK	27	GREEN/YELLOW
10	BLACK	28	GREEN/YELLOW
11	BROWN/WHITE	29	GREEN/YELLOW
12	RED	30	GREEN/YELLOW
13	BLACK	31	GREEN/YELLOW
14	RED	32	GREEN/YELLOW
15	BLACK	33	RED
16	RED	34	BLACK
17	BLACK	35	GREEN/YELLOW
18	RED	36	GREEN/YELLOW
		37	GREEN/YELLOW

A - MODE LIGHT

B - OCTAL BASE RELAY

C - SOCKET - 16 AMP

D - SOCKET - 16 AMP

E - CIRCUIT BREAKER

F - CIRCUIT BREAKER

G - EARTH LEAKAGE CIRCUIT BREAKER

H - RELAY

J - SPEED CONTROL SOLENOID

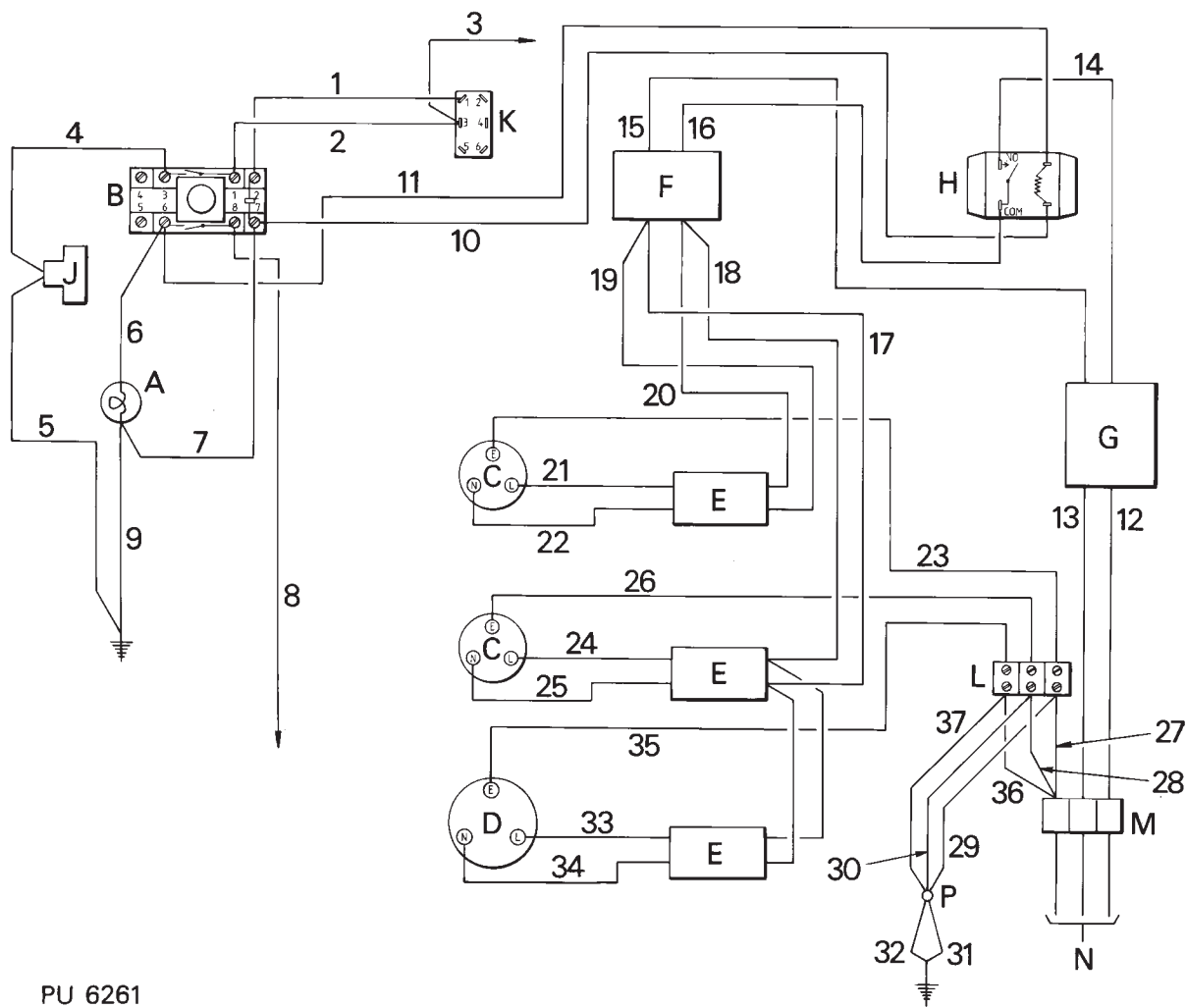
K - MODE SWITCH

L - TERMINAL BLOCK

M - TERMINAL BLOCK (ON RAIL)

N - CABLES FROM ALTERNATOR

P - EARTH STAKE TERMINAL



PU 6261



RECOMMENDED SPARES LIST (TWO YEAR OPERATION)

---

PART NO.	DESCRIPTION	QTY
98504/5604	SEAL - U PACKING	2
98518/5035	SPRING - COMPRESSION	
98518/5051	SPRING - COMPRESSION	
1326-00220	JOINT UNLOADER	2
98524/8017	SWITCH - TEMPERATURE	2
910021003	WASHER - COPPER	2
98650/8017	VALVE 2 WAY/PRESSURE REGULATOR	2
C16012-697	SWITCH - PRESSURE	
C16012-698	SWITCH - TEMPERATURE	
98518/5057	DAMPER	4
C16012-303	FILTER - ELEMENT OIL	4
95600/0079	O-RING	2
98650/5322	VALVE - PRESSURE RELIEF	
98262/5133	SEPARATOR- AIR/OIL	
1710-00060	GASKET - PRESSURE VESSEL COVER	3
CK005	KIT - BLOWDOWN VALVE	
C16012-1032	DEUTZ OIL FILTER ELEMENT	4
C16012-1047	FILTER - FUEL	4
98262/5125/0001	FILTER - ELEMENT	4
98262/5125/0002	SAFETY ELEMENT	2
98262/8041/0002	VACUATOR VALVE	2
98266/5012/0005	FUSE	2
98475/8019	RELAY	
98475/8017	RELAY	
C16012-1042	BULB	3
C16012-056	STRAINER - FUEL	
1708-03630	FILLER CAP ASSEMBLY - FUEL TANK	
C16012-1021	BELT BLOWER	
98518/5049	SPRING - COMPRESSION	
98210/5004	DIAPHRAGM	2

### PARTS INFORMATION

ACCREDITED AGENTS ARE APPOINTED TO PROVIDE AN OFFICIAL PARTS SERVICE AND IT IS RECOMMENDED PARTS BE OBTAINED FROM THEM. FOR PLANTS OPERATING OUTSIDE THE UNITED KINGDOM CONTACT YOUR NEAREST COMPAIR HOLMAN REGION, COMPANY OR DISTRIBUTOR. WHERE FACILITIES ARE NOT AVAILABLE LOCALLY AND INFORMATION OR ASSISTANCE IS REQUIRED, CONTACT COMPAIR HOLMAN LIMITED, INTERNATIONAL PARTS AND SERVICE CENTRE, CAMBORNE, CORNWALL TR14 8DS, ENGLAND.

IT IS RECOMMENDED THAT COMPAIR HOLMAN GENUINE SPARE PARTS ARE USED TO SERVICE THIS MACHINE.

WHEN ORDERING PARTS ALWAYS QUOTE:

1. THE SERIAL NUMBER AS GIVEN ON THE MANUFACTURERS PLATE C16010/029.
2. THE COMPRESSOR BUILD NUMBER AS GIVEN ON THE SPECIFICATION PLATE C16010/044.
3. PART NUMBER, DESCRIPTION AND QUANTITY REQUIRED.

### INFORMATION SUR LES PIÈCES DE RECHANGE

NOS CONCESSIONNAIRES SONT AGRÉÉS POUR LE STOCKAGE DES PIÈCES ET NOUS RECOMMANDONS LA COMMANDE DE CES PIÈCES AUPRÈS D'EUX. POUR LES GROUPES UTILISÉS EN DEHORS DU ROYAUME-UNI, NOUS RECOMMANDONS D'OBTENIR CES PIÈCES AUPRÈS DU CENTRE RÉGIONAL, DE LA FILIALE OU DU CONCESSIONNAIRE COMPAIR HOLMAN LE PLUS PROCHE. SI LES PIÈCES NE PEUVENT PAS ÊTRE COMMANDÉES LOCALEMENT, DEMANDER DES RENSEIGNEMENTS OU L'ASSISTANCE DE COMPAIR HOLMAN LIMITED, CENTRE APRÈS-VENTE ET DE PIÈCES DE RECHANGE INTERNATIONAL, CAMBORNE, CORNWALL TR14 8DS, ANGLETERRE.

SUR TOUTES COMMANDES DE PIÈCES DE RECHANGE, TOUJOURS CITER:

1. LE NUMERO DE SERIE FRAPPÉ SUR LA PLAQUE DU FABRICANT C16010/029.
2. LE NUMERO DE FABRICATION DU COMPRESSEUR FRAPPÉ SUR LA PLAQUE SIGNALATIQUE C16010/044.
3. LE NUMÉRO DE PIÈCE, SA DÉSIGNATION ET LA QUANTITÉ DÉSIRÉE.

### TEILEINFORMATIONEN

UNSERE FACHVERTRETUNGEN BIETEN EINEN OFFZIELLEN TEILE-KUNDENDIENST, UND WIR EMPFEHLEN IHNEN, TEILE VON DIESEN ZU BESTELLEN. IM HINTEREN TEIL DES HANDBUCHES FINDEN SIE EINZELHEITEN FÜR DEN KUNDENDIENST IN GROSSBRITANNIEN. BEI GERÄTEN, DIE AUßERHALB GROSSBRITANNIENS EINGESETZT WERDEN, WENDEN SIE SICH BITTE AN IHRE NÄCHSTE NIEDERLASSUNG VON COMPAIR HOLMAN LIMITED ODER IHREN FACHHÄNDLER. WENN SICH DIESE NICHT IN IHRER NÄHE BEFINDEN UND SIE INFORMATIONEN ODER HILFE BENÖTIGEN, WENDEN SIE SICH BITTE DIREKT AN COMPAIR HOLMAN LIMITED, INTERNATIONAL PARTS AND SERVICE CENTRE, CAMBORNE, CORNWALL TR14 8DS, ENGLAND.

BEI BESTELLUNG VON TEILEN BITTE STETS ANGEBEN:

1. DIE SERIENUMMER, WIE AUF DEM TYPENSCHILD C16010/029.
2. DIE MODELLNUMMER DES KOMPRESSORS, WIE AUF DEM LEISTUNGSSCHILD C16010/044 .
3. DIE TEILENUMMER, BESCHREIBUNG UND GEWÜNSCHTE MENGE.

### INFORMAZIONI SULLE PARTI DI RICAMBIO

PER L'ACQUISTO DI PARTI DI RICAMBIO SI RACCOMANDA DI RIVOLGERSI AI CONCESSIONARI O PUNTI DI SERVIZIO AUTORIZZATI. AL FONDO DELLA PRESENTE PUBBLICAZIONE SI FORNISCONO MAGGIOR PARTICOLARI CIRCA IL SERVIZIO DI ASSISTENZA DEL REGNO UNITO. AL DI FUORI DEL REGNO UNITO RIVOLGERSI AL CONCESSIONARIO O PUNTI DI ASSISTENZA DI ZONA DELLA COMPAIR HOLMAN. IN CASO DI DIFFICOLTÀ O PER LE LOCALITÀ NON SERVITE DAL NOSTRO SERVIZIO DI ASSISTENZA, RIVOLGERSI DIRETTAMENTE A: COMPAIR HOLMAN LIMITED, INTERNATIONAL PARTS AND SERVICE, CAMBORNE, CORNWALL TR14 8DS, GRAN BRETAGNA.

ALL'ORDINAZIONE DI RICAMBI COMUNICARE SEMPRE:

1. IL NUMERO DI MATRICOLA (SERIAL NUMBER) RIPOSTATO SULLA TARGHETTA COSTRUTTORE C16010/029.
2. IL NUMERO DI COSTRUZIONE (BUILD NUMBER) RIPOSTATO NELLA TARGHETTA SPECIFICA C16010/044.
3. IL NUMERO DI PARTE, LA DESCRIZIONE E LA QUANTITÀ'.

#### INFORMACION DE PIEZAS DE REPUESTO

LOS CONCESIONARIOS ACREDITADOS PROPORCIONAN UN SERVICIO OFICIAL DE PIEZAS DE REPUESTO Y SE RECOMIENDA QUE SE OBTENGAN DICHAS PIEZAS DE ELLOS. PARA INSTALACIONES EN FUNCIONAMIENTO FUERA DEL REINO UNIDO PONGASE EN CONTACTO CON SU DISTRIBUIDOR, COMPAÑIA O CENTRO REGIONAL HOLMAN MAS PROXIMOS. CUANDO NO HAYA DISPONIBLES SERVICIOS LOCALES Y SE REQUIERA INFORMACION O ASISTENCIA, PODRA PONERSE EN CONTACTO CON COMPAIR HOLMAN LIMITED, CENTRO INTERNACIONAL DE PIEZAS DE REPUESTO O SERVICIO, CAMBORNE, CORNWALL TR14 8DS, INGLATERRA.

PARA EL SERVICIO DE ESTA MAQUINA SE RECOMIENDA QUE SE UTILICEN PIEZAS DE REPUESTO GENUINAS COMPAIR HOLMAN.

CUANDO SE PIDAN PIEZAS DE REPUESTO SIEMPRE INDIQUE:

1. LOS NUMEROS DE SERIE COMO SE DAN EN LA PLACA DE IDENTIFICACION DEL FABRICANTE C16010/029.
2. EL NUMERO DE FABRICACION DEL COMPRESOR QUE SE PROPORCIONA EN LA PLACA DE ESPECIFICACION C16010/004.
3. NUMERO DE PIEZA, DESCRIPCION Y CANTIDAD REQUERIDA.

#### INFORMAÇÕES SOBRE PEÇAS SOBRESSELENTES

SÃO NOMEADOS REPRESENTANTES AUTORIZADOS PARA PROPORCIONAR UM SERVIÇO DE PEÇAS OFICIAL E RECOMENDA-SE OBTER AS PEÇAS NESTES REPRESENTANTES. PARA AS INSTALAÇÕES FORA DO REINO UNIDO, CONTACTE A SUA EMPRESA OU DISTRIBUIDOR COMPAIR HOLMAN REGIONAL MAIS PRÓXIMO. QUANDO NÃO HOUVER INSTALAÇÕES LOCAIS E FOREM NECESSÁRIAS INFORMAÇÕES OU ASSISTÊNCIA, CONTACTE A COMPAIR HOLMAN LIMITED, INTERNATIONAL PARTS AND SERVICE CENTRE, CAMBORNE, CORNWALL TR14 8DS, INGLATERRA.

RECOMENDA-SE A UTILIZAÇÃO DE PEÇAS SOBRESSELENTES GENUÍNAS COMPAIR HOLMAN PARA A MANUTENÇÃO DESTA MÁQUINA.

AO FAZER ENCOMENDAS DE PEÇAS, CITE SEMPRE:

1. O NÚMERO DE SÉRIE FORNECIDO NA PLACA DO FABRICANTE C16010/029.
2. O NÚMERO DE FABRICO DO COMPRESSOR FORNECIDO NA PLACA DE ESPECIFICAÇÃO C16010/044.
3. O NÚMERO DA PEÇA, A DESCRIÇÃO E A QUANTIDADE REQUERIDA

#### ONDERDELENINFORMATIE.

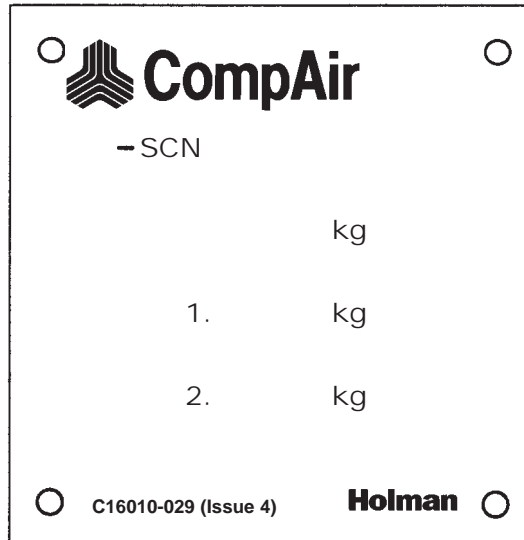
OFFICIËLE AGENTEN ZIJN AANGESTELD TENEINDE EEN OFFICIËLE ONDERDELEN-SERVICE TER BESCHIKKING TE STELLEN. DERHALVE WORDT AANBEVOLEN DAT ONDERDELEN BIJ DIE AGENTSCHAPPEN WORDEN AANGESCHAFT. IN HET GEVAL VAN INSTALLATIES BUITEN HET VERENIGD KONINKRIJK WORDT U VERZOCHT CONTACT OP TE NEMEN MET UW DICHTSTBIJZIJNDE REGIONALE VERTEGENWOORDIGER VAN COMPAIR HOLMAN, DE DEALER OF EEN DISTRIBUTEUR. ALS FACILITEITEN PLAATSELIJK NIET BESCHIKBAAR ZIJN EN INFORMATIE OF ASSISTENTIE NOODZAKELIJK IS, WORDT U VERZOCHT CONTACT OP TE NEMEN MET COMPAIR HOLMAN LIMITED, INTERNATIONAL PARTS AND SERVICE CENTRE, CAMBORNE, CORNWALL TR14 8DS, ENGELAND.

DOOR ONS WORDT AANBEVOLEN DAT UITSLUITEND ORIGINELE COMPAIR HOLMAN ONDERDELEN WORDEN GEBRUIKT VOOR ONDERHOUD EN REPARATIES AAN DEZE MACHINE.

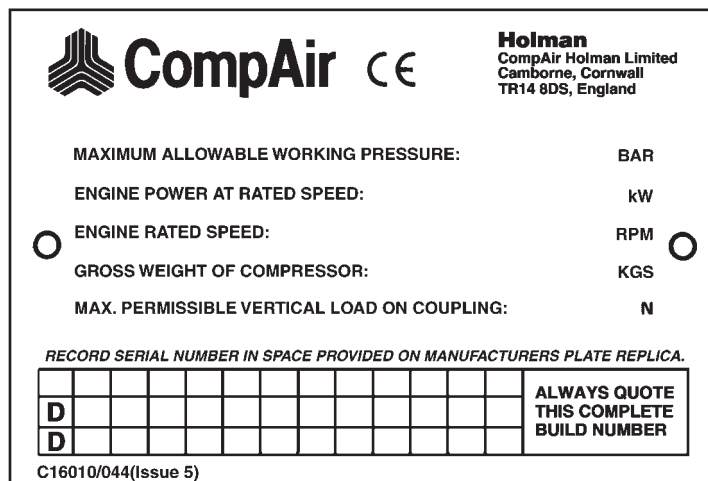
BIJ HET BESTELLEN VAN ONDERDELEN, ALTIJD DE ONDERSTAANDE GEGEVENS VERMELDEN:

1. HET SERIENUMMER, ZOALS DAT IS VERMELD OP HET TYPEPLAATJE VAN DE FABRIKANT - C16010/029.
2. HET PRODUKTIENUMMER VAN DE COMPRESSOR, ZOALS VERMELD OP HET SPECIFICATIE-PLAATJE - C16010/044.
3. HET ONDERDEELNUMMER, DE BESCHRIJVING EN DE VEREISTE HOEVEELHEID.

MANUFACTURERS PLATE - PLAQUE DU FABRICANT - TYPENSCHILD - TARTGHETTA COSTRUTTORE



SPECIFICATION PLATE - PLAQUE SIGNALATIQUE - LEISTUNGSSCHILD - TARGHETTA SPECIFICA



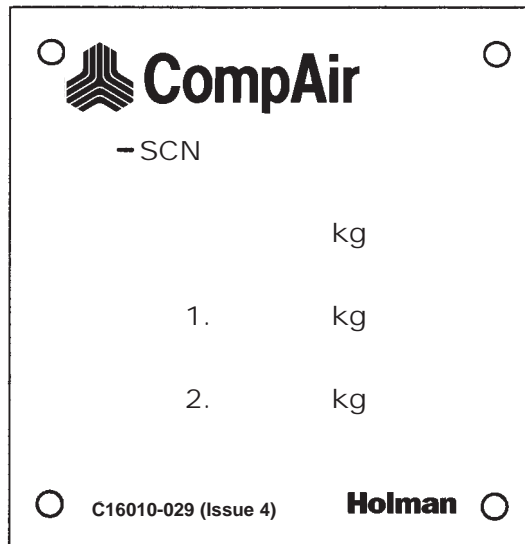
CONSULT THE ENGINE OPERATORS INSTRUCTION BOOK FOR ENGINE PARTS INFORMATION. CERTAIN ENGINE AUXILIARY EQUIPMENT IS ILLUSTRATED IN THIS BOOK AND IS AVAILABLE FROM COMPAIR. IT IS IMPORTANT THEREFORE TO DETERMINE THE ORIGIN OF THE PART REQUIRED; CONSULT BOTH ENGINE AND COMPRESSOR PUBLICATIONS IF NECESSARY.

CONSULTER LA NOTICE DU MOTEUR POUR LES DÉTAILS SUR LES COMMANDES DE PIÈCES MOTEUR. CERTAINS DÉTAILS DES ACCESSOIRES SONT ILLUSTRÉS DANS CE MANUEL ET CES PIÈCES PEUVENT ÊTRE COMMANDÉES AUPRÈS DE COMPAIR. IL EST IMPORTANT PAR CONSÉQUENT DE DÉTERMINER L'ORIGINE DE LA PIÈCE À COMMANDER EN CONSULTANT ET LA NOTICE DU MOTEUR ET LE MANUEL DU COMPRESSEUR S'IL A LIEU.

INFORMATIONEN FÜR MOTORTEILE FINDEN SIE IM MOTOR-BEDIENUNGSHANDBUCH. GEWISSES MOTOR-ZUBEHÖR IST JEDOCH IM VORLIEGENDEN HANDBUCH DARGESTELLT UND VON COMPAIR LIEFERBAR. ES IST DAHER WICHTIG, DAß SIE DIE HERKUNFT DES GEWÜNSCHTEN TEILS FESTSTELLEN, SIEHE MOTOR- UND KOMPRESSORHANDBÜCHER, FALLS ERFORDERLICH.

PER INFORMAZIONI CIRCA LE PARTI DI RICAMBIO PER IL MOTORE, CONSULTARE IL MANUALE OPERATORE MOTORE. CERTI ACCESSORI DEL MOTORE SONO ILLUSTRATI NELLA PRESENTE PUBBLICAZIONE E I LORO RICAMBI FORNITI DALLA COMPAIR. PRIMA DELL'ORDINAZIONE È QUINDI NECESSARIO DETERMINARE L'ORIGINE DELLA PARTE DI RICAMBIO RICHIESTA: CONSULTARE SIA LE PUBBLICAZIONI DEL MOTORE CHE DEL COMPRESSORE.

PLACA DE IDENTIFICACION DEL FABRICANTE - PLACA DO FABRICANTE -  
TYPEPLAATJE VAN DE FABRIKANT



PLACA DE ESPECIFICACION - PLACA DE ESPECIFICAÇÃO - SPECIFICATIE-PLAATJE.

				<b>Holman</b> CompAir Holman Limited Camborne, Cornwall TR14 8DS, England	
				MAXIMUM ALLOWABLE WORKING PRESSURE:	BAR
	ENGINE POWER AT RATED SPEED:	kW			
	ENGINE RATED SPEED:	RPM			
	GROSS WEIGHT OF COMPRESSOR:	KGS			
	MAX. PERMISSIBLE VERTICAL LOAD ON COUPLING:	N			
RECORD SERIAL NUMBER IN SPACE PROVIDED ON MANUFACTURERS PLATE REPLICA.					
D					<b>ALWAYS QUOTE THIS COMPLETE BUILD NUMBER</b>
D					
C16010/044(Issue 5)					

CONSULTAR EL LIBRO DE INSTRUCCIONES DEL MOTOR PARA OBTENER INFORMACION SOBRE LAS PIEZAS DE REPUESTO PARA EL MOTOR. EN ESTE LIBRO SE ILUSTRAN CIERTOS ACCESORIOS Y SE PODRAN OBTENER DE COMPAIR. POR LO TANTO ES IMPORTANTE DETERMINAR EL ORIGEN DE LA PIEZA REQUERIDA; CONSULTAR TANTO LAS PUBLICACIONES DEL COMPRESOR COMO DEL MOTOR SI ES NECESARIO

CONSULTE O LIVRO DE INSTRUÇÕES DE OPERADORES DO MOTOR PARA OBTER INFORMAÇÕES SOBRE AS PEÇAS DO MESMO. CERTOS EQUIPAMENTOS AUXILIARES DO MOTOR SÃO ILUSTRADOS NESTE LIVRO E ESTÃO À DISPOSIÇÃO NA COMPAIR. PORTANTO, É IMPORTANTE DETERMINAR A ORIGEM DA PEÇA REQUERIDA. CONSULTE AMBAS AS PUBLICAÇÕES DO MOTOR E DO COMPRESSOR, SE FOR NECESSÁRIO.

RAADPLEEG HET HANDBOEK VOOR DE BEDIENER VAN DE MOTOR VOOR INFORMATIE OVER DE ONDERDELEN VAN DE MOTOR. BEPAALDE HULPUITRUSTING VAN DE MOTOR WORDT IN DIT BOEK GEÏLLUSTREERD EN DEZE KAN DOOR COMPAIR WORDEN GELEVERD. HET IS DERHALVE BELANGRIJK OM DE OORSPRONG VAN HET VEREISTE ONDERDEEL VAST TE STELLEN. ZONODIG MOET DE LITERATUUR VOOR ZOWEL DE MOTOR ALS DE COMPRESSOR WORDEN GERAADPLEEGD.



