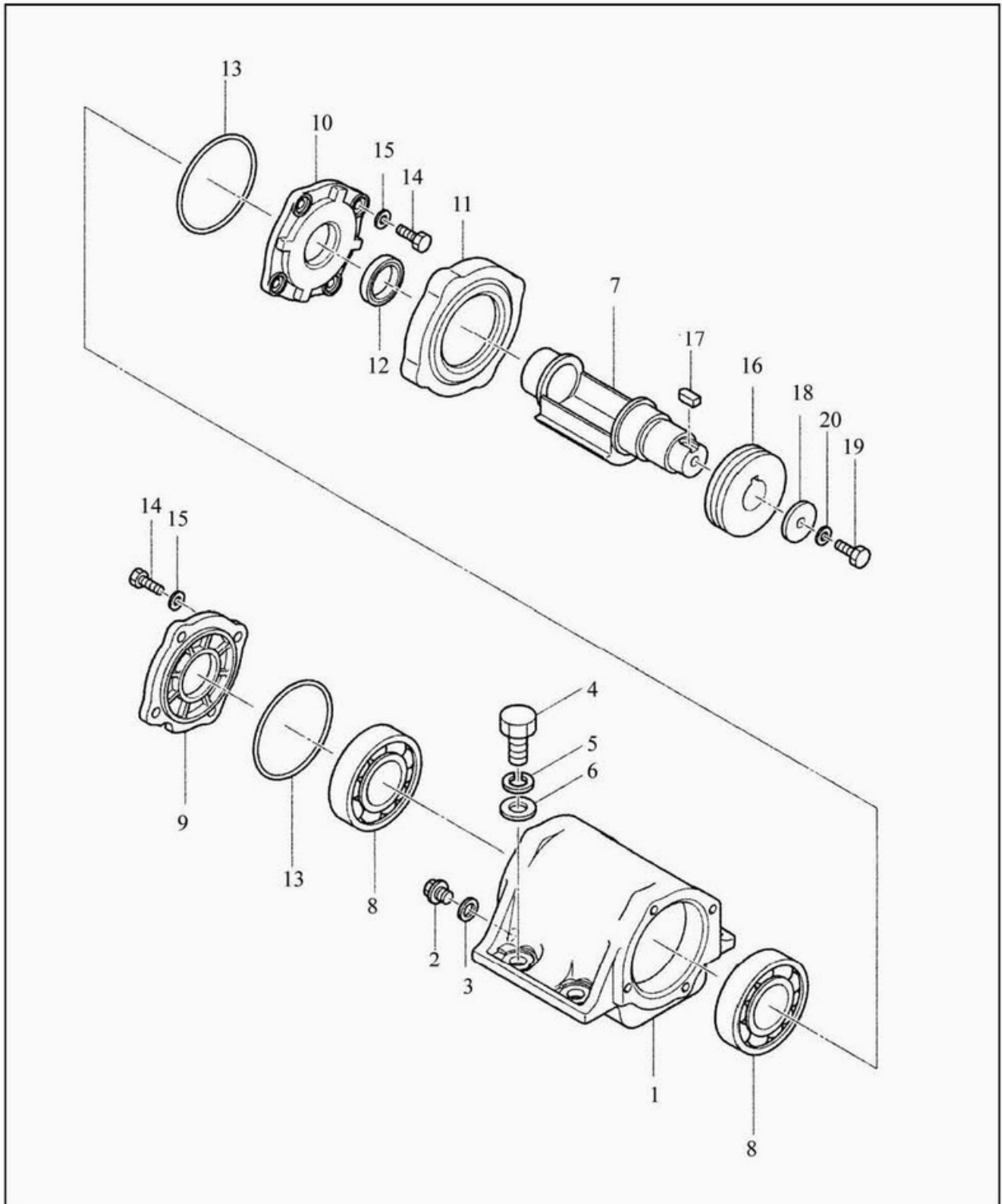


PART LIST (A) – VIBRATOR



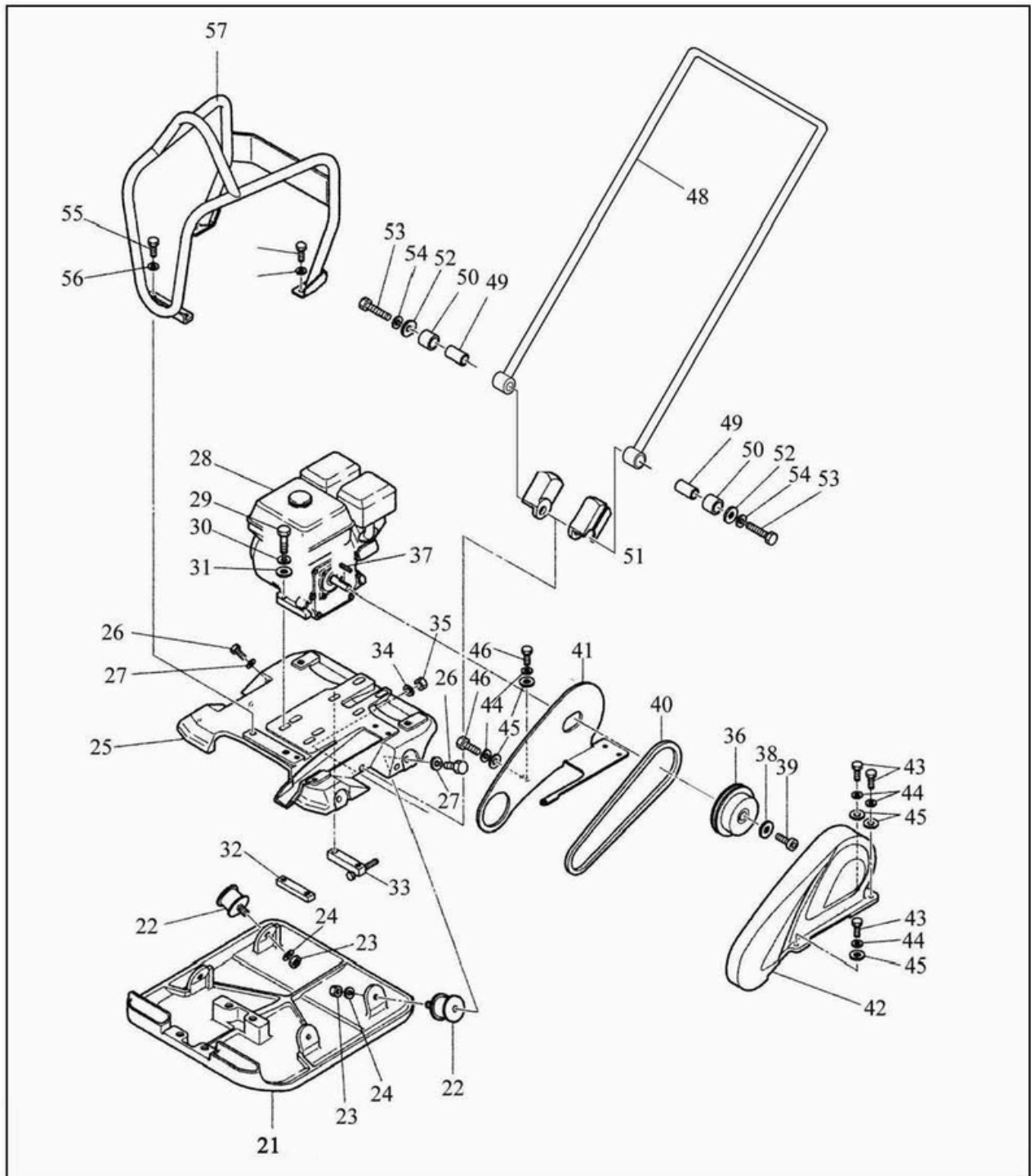
**DALY INDUSTRIAL**  
SUPPLY CO. LTD.

**(021) 4390003**  
**spareparts@disc.ie**

## PART LIST (A) – VIBRATOR

S/NO	PART NO	DESCRIPTION	QTY	REMARKS
A	CPC-95-A	VIBRATOR ASSEMBLY	1	
1	CPC-95-1A	VIBRATING CASE	1	
2	CPC-95-2A	BOLT M10×20T	1	
3	CPC-95-3A	PACKING	1	
4	CPC-95-4A	BOLT M16×45T	4	
5	CPC-95-5A	SW M16	4	
6	CPC-95-6A	PW M16	4	
7	CPC-95-7A	VIBRATOR	1	
8	CPC-95-8A	BEARING 6211	2	
9	CPC-95-9A	CASE RIGHT COVER	1	
10	CPC-95-10A	CASE LEFT COVER	1	
11	CPC-95-11A	BELT COVER GUARD	1	
12	CPC-95-12A	OIL SEAL 35×48×10	1	
13	CPC-95-13A	O-RING 100(OD)×3.1	2	
14	CPC-95-14A	BOLT M8×25T	8	
15	CPC-95-15A	WASHER AND SW M8	8	
16	CPC-95-16A	PULLEY	1	
17	CPC-95-17A	KEY 7×7×19	1	
18	CPC-95-18A	WASHER M10×4×40(OD)	1	
19	CPC-95-19A	BOLT M10×25T	1	
20	CPC-95-20A	SW M10	1	

PART LIST (B) – BODY



## PART LIST (B) – BODY

S/NO	PART NO	DESCRIPTION	QTY	REMARKS
21	CPC-95-1B	VIBRATING PLATE	1	
22	CPC-95-2B	SHOCK ABSORBER	4	
23	CPC-95-3B	NUT M10	4	
24	CPC-95-4B	SW M10	4	
25	CPC-95-5B	BASE	1	
26	CPC-95-6B	BOLT M10×30T	4	
27	CPC-95-7B	SW M10	4	
28	CPC-95-8B	ENGINE	1	
29	CPC-95-9B	BOLT M8×55T	4	
30	CPC-95-10B	SW M8	4	
31	CPC-95-11B	PW M8	4	
32	CPC-95-12B	ENGINE NUT	1	
33	CPC-95-13B	ENGINE NUT	1	
34	CPC-95-14B	PW M8	1	
35	CPC-95-15B	NYLON NUT M8	1	
36	CPC-95-16B	CLUTCH ASSEMBLY	1	
37	CPC-95-17B	KEY	1	
38	CPC-95-18B	WASHER	1	
39	CPC-95-19B	SOCKET HEAD BOLT	1	
40	CPC-95-20B	BELT	1	
41	CPC-95-21B	BASE FOR BELT	1	
42	CPC-95-22B	BELT COVER	1	
43	CPC-95-23B	BOLT M8×35T	3	
44	CPC-95-24B	SW M8	5	
45	CPC-95-25B	PW M8	5	
46	CPC-95-26B	BOLT M8×20T	2	
47	CPC-95-27B	THROTTLE ASSEMBLY	1	
48	CPC-95-28B	HANDLE	1	
49	CPC-95-29B	COLLAR 13-20-44	2	
50	CPC-95-30B	RUBBER 20×32×28.5	2	
51	CPC-95-31B	HANDLE STOPPER	2	
52	CPC-95-32B	WASHER 12.5×35×3	2	
53	CPC-95-33B	BOLT M12×75T	2	
54	CPC-95-34B	SW M12	2	
55	CPC-95-35B	BOLT M10×25T	4	
56	CPC-95-36B	SW M10	4	
57	CPC-95-37B	GUARD HOOK	1	

## PART LIST (C) – WATER TANK ASSEMBLY

S/NO	PART NO	DESCRIPTION	QTY	REMARKS
58	CPC-95-1C	WATER TANK ASSEMBLY	1	
59	CPC-95-1-1C	CAP, WATER TANK	1	
60	CPC-95-1-2C	BOLT M10×30	1	
61	CPC-95-1-3C	WASHER 10.5×21×2	2	
62	CPC-95-1-4C	NYLON NUT M10	1	
63	CPC-95-2C	WASHER 14.5×30×1.6	1	
64	CPC-95-3C	PACKING 13×28×2	1	
65	CPC-95-4C	COCK	1	
66	CPC-95-5C	SPRINKLING PIPY	1	
67	CPC-95-6C	PIPE HOLDER LEFT	1	
68	CPC-95-7C	PIPE HOLDER RIGHT	1	
69	CPC-95-8C	PLANGE BOLT M8×25	2	
70	CPC-95-9C	STAY, PIPE HOLDER	1	

PART LIST (C) – WATER TANK ASSEMBLY

