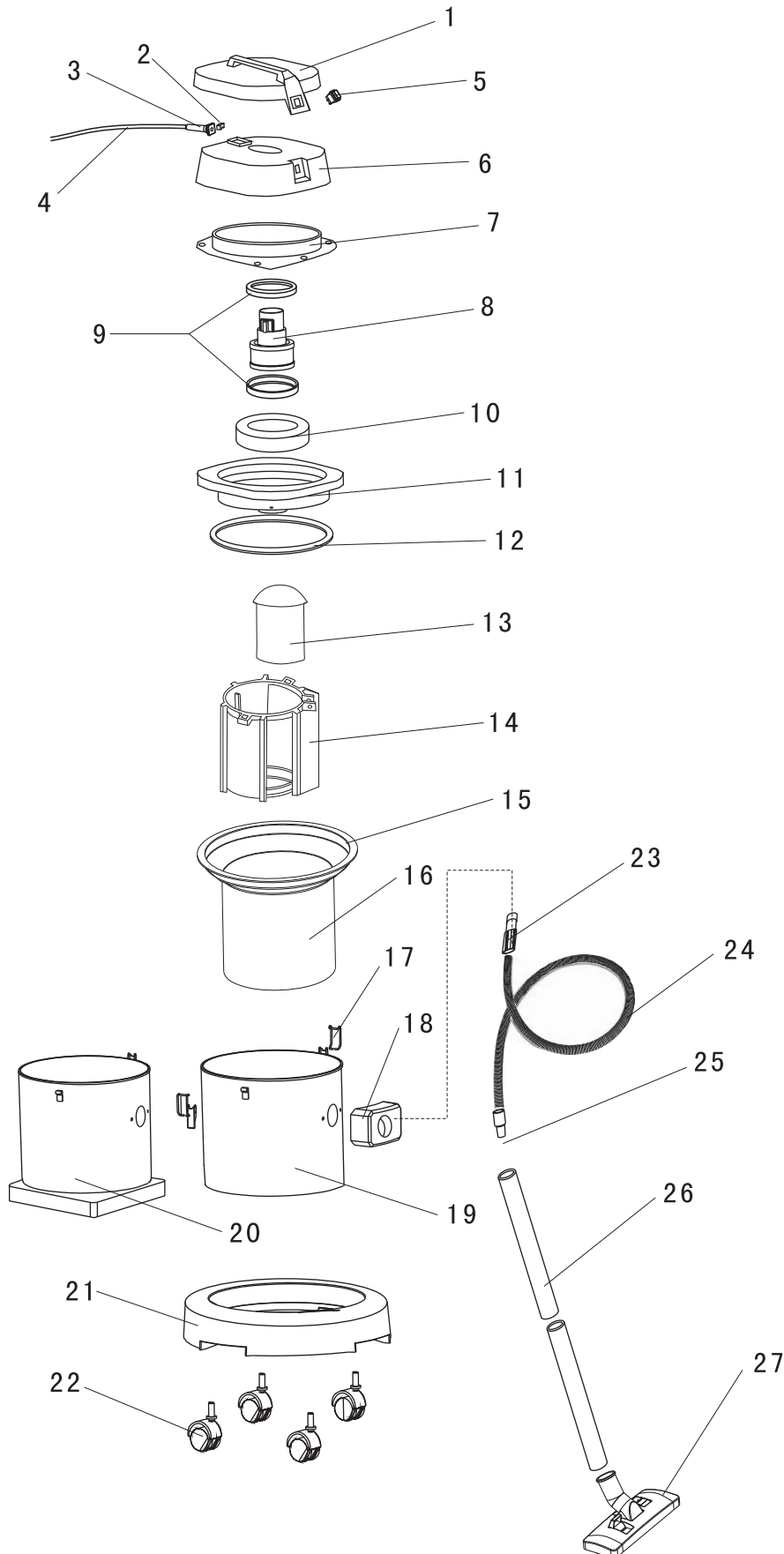


BF503A EXPLODED VIEW



1. Top cover
2. Cable clamp-black
3. Cable grommet sleeve
4. Core cable
5. Pole on/off switch
6. Motor enclosure
7. Motor retaining mould
8. Wet/dry motor
9. Motor mounting
10. Air baffle
11. Motor mounting base
12. Rubber seal
13. Float ball
14. Float cage assembly
15. Moulded bag ring
16. Cloth filter assembly
17. Canister clip
18. Hose inlet assembly
19. Stainless steel canister for BF500
20. plastic canister for BF503A/BF500A
21. Plastic base
22. Castor wheel
23. Hose cuff
24. Flexible hose
25. Swivel cuff
26. Chromed metal tube
27. Floor pick up tool