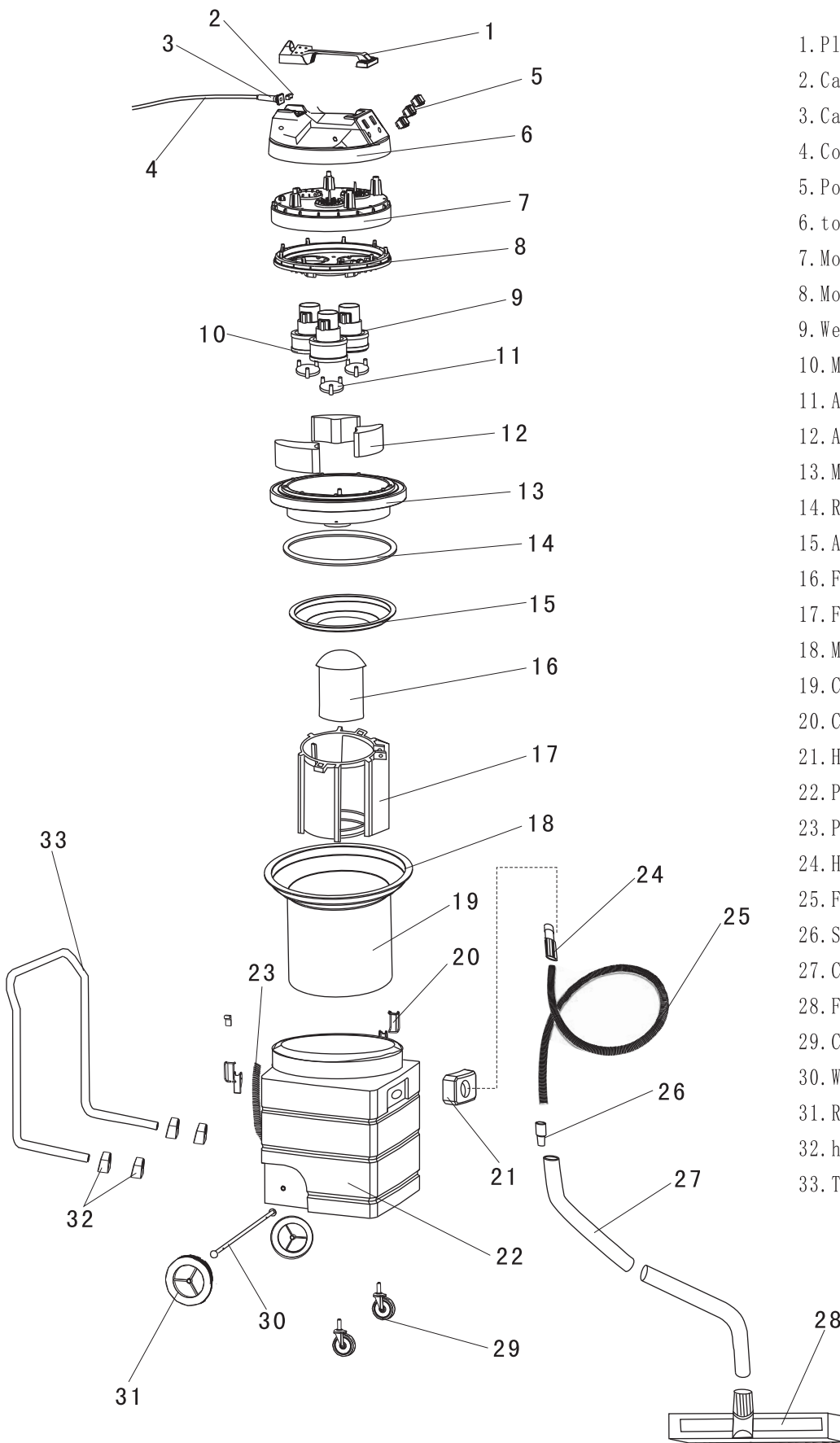


BF584A-3 EXPLODED VIEW



1. Plastic handle
2. Cable clamp-black
3. Cable grommet sleeve
4. Core cable
5. Pole on/off switch
6. top cover
7. Motor enclosure
8. Motor retaining mould
9. Wet/dry motor
10. Motor mounting
11. Air inlet baffle
12. Air baffle
13. Motor mounting base
14. Rubber seal
15. Air inlet valve
16. Float ball
17. Float cage assembly
18. Moulded bag ring
19. Cloth filter assembly
20. Canister cilp
21. Hose inlet assembly
22. Plastic canister
23. Plastic base
24. Hose cuff
25. Flexible hose
26. Swivel cuff
27. Chromed mteal tube
28. Floor pick up tool
29. Castor wheel
30. Wheel axle
31. Rear wheel
32. handle support
33. Trolley frame handle