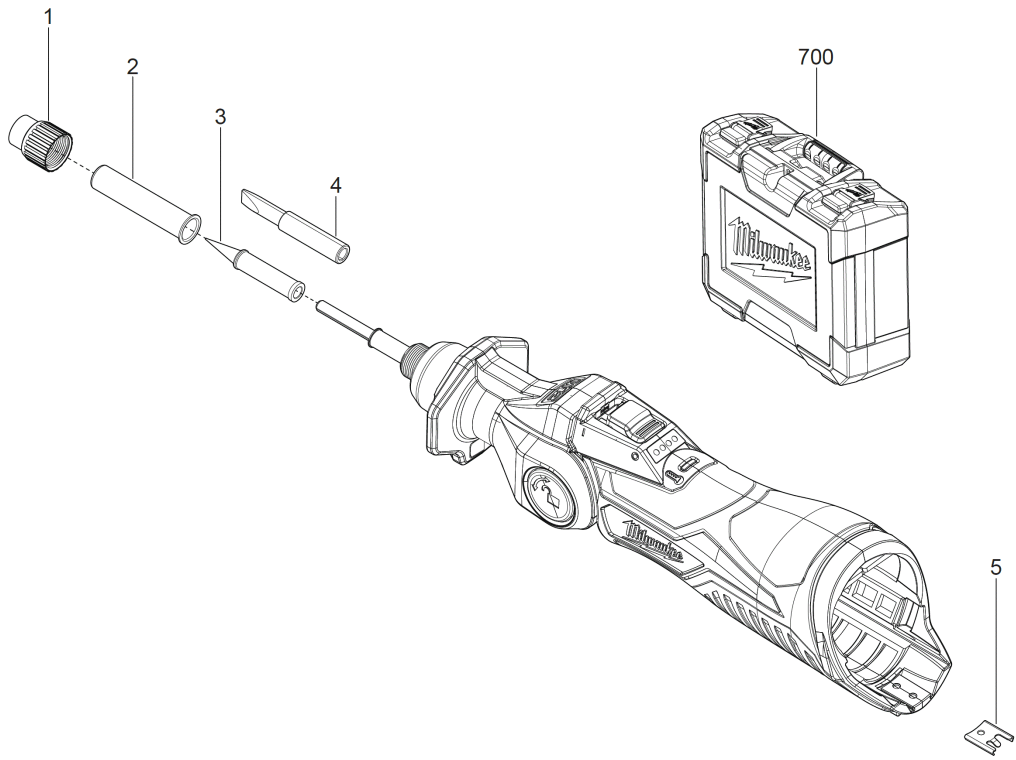


M12SI-201C SOLDERING IRON IN2

4933459761 - M12SI-201C - 4000467090





Position	Quantity	Description	Part number	EAN
	1	PART NOT DEATAILED	1000063920	
	1	M12-18C BATTERY CHARGER IN2	4932352959	4002395376179
0001	1	CLAMPING NUT	4931461948	4058546230487
0002	1	COLLET	4931461949	4058546230494
0003	1	PIN	4931461950	4058546230500
0004	1	PIN	4931461951	4058546230517
0005	1	CONNECTOR	4931436292	4002395252909
0700	1	CARRYING CASE	4931461952	4058546230524
	1	M12B2 LI-ION BATTERY PACK 2.0AH XXX	4932430064	4002395377251