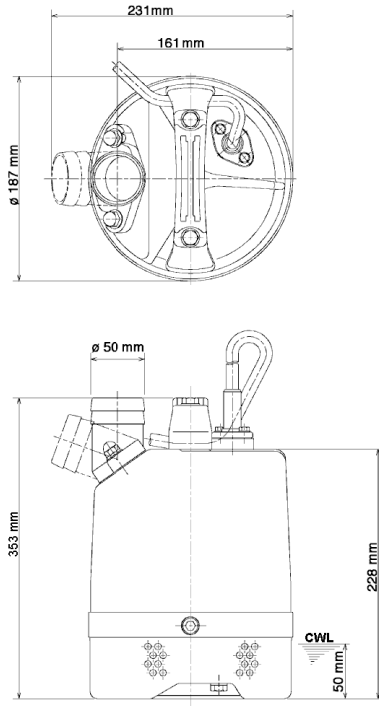
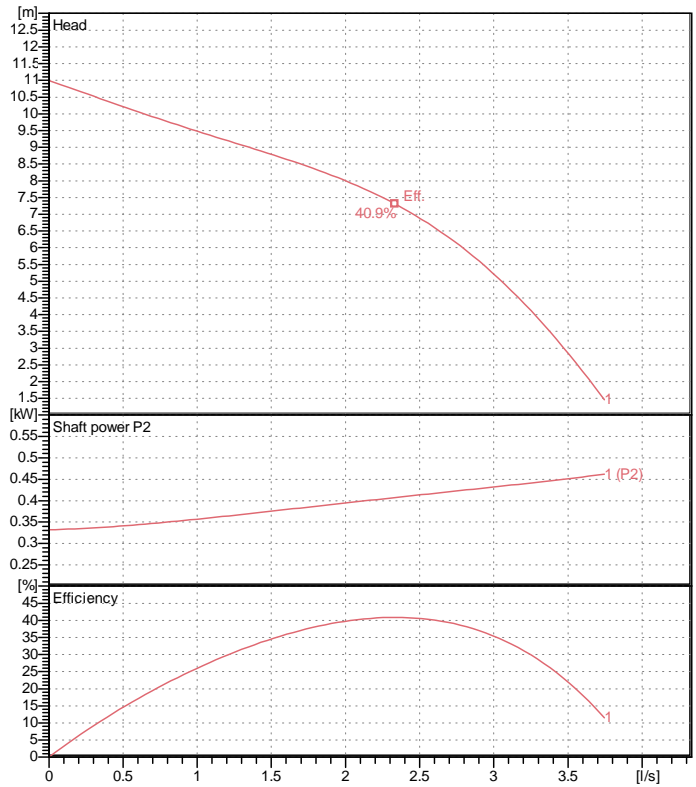


Data sheet LB-480-51/52



LB-480-51/52

CWL: Continuous running water level



Specification

Electric submersible pump
 Degree of protection IP 68
 Depth of submersion max. 10 m
 Type of impeller semi-vortex
 Max. solid handling 6 mm
 Suitable for:
 spring-/rain-/font water, water containing sand

Electric motor

Dry-type submersible induction motor
 Insulation class E 2Poles 2610 1/min
 Starting mode Directly
 Rated voltage 110 V 50 Hz 1~
 Power uptake 0.59 kW
 Rated power 0.48 kW
 Rated current 6.2 A
 Start current 14.2 A

Cable

10m H07RN-F 3Cx1,5mm²

Motor Protection

Circle thermal protector
 (snap-action bi-metal device)

Shaft seal

Double inside mechanical seal in oil bath
 additional lubrication by oil lifting device

Primary seal

Silicon carbide on silicon carbide

Secondary seal

Carbon on ceramic

Bearings

Shielded ball bearings, maintenance-free

Materials

Impeller	Urethane rubber
Pump casing	Polypropylene / polyethylene
Motor Frame	Aluminium die casting
Shaft	SUS403 (EN-X6Cr13)

Discharge size

2" (50mm) BS-Coupling (threaded flange)

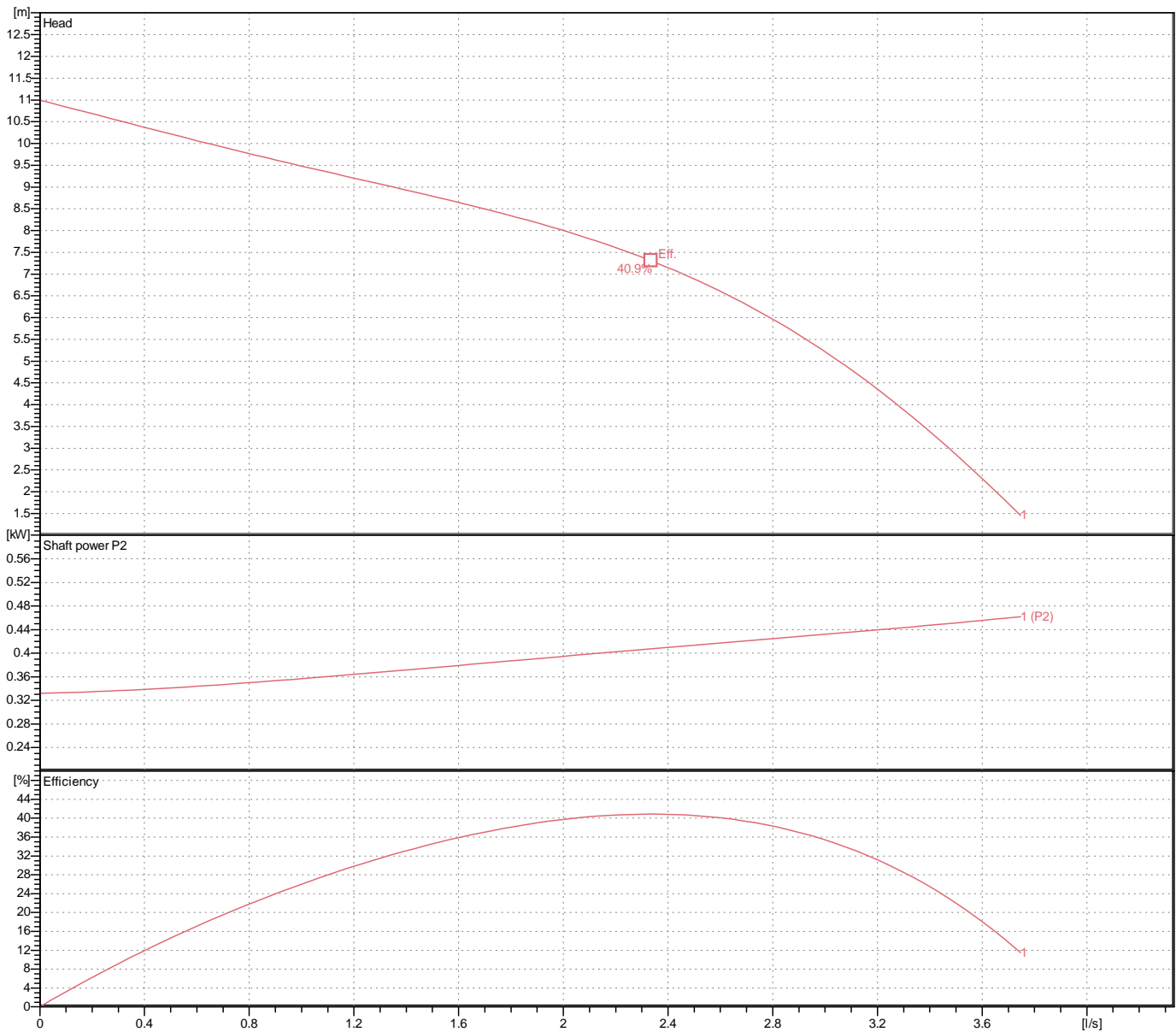
Weight

10.4 kg (dry weight of the pump only without cable)

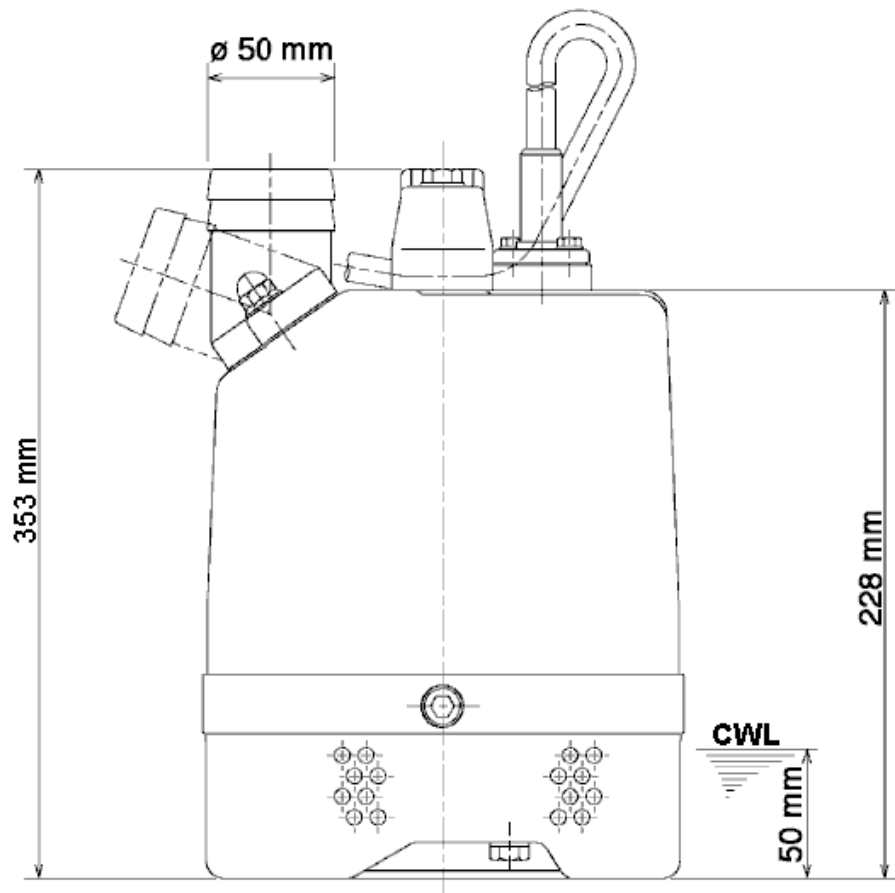
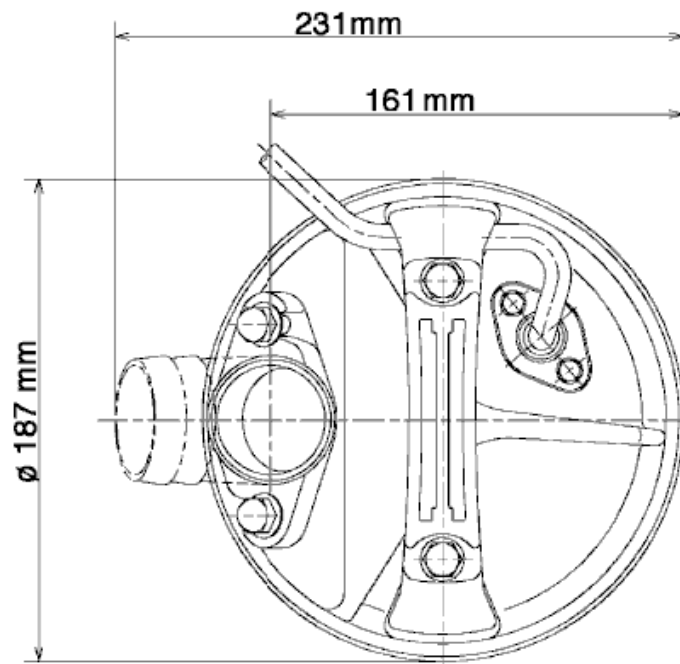
Performance curve

LB-480-51/52

Discharge port	2"
Head	11.0 m
Flow	3.7 l/s
Rated power	0.48 kW
Power input	0.59 kW
Phases	1~
Voltages	110 V
Frequency	50 Hz
Rated current	6.2 A
Starting current	14.20 A
Number of poles	2
Speed	2610 1/min
Starting mode	Directly
Insulation class	E

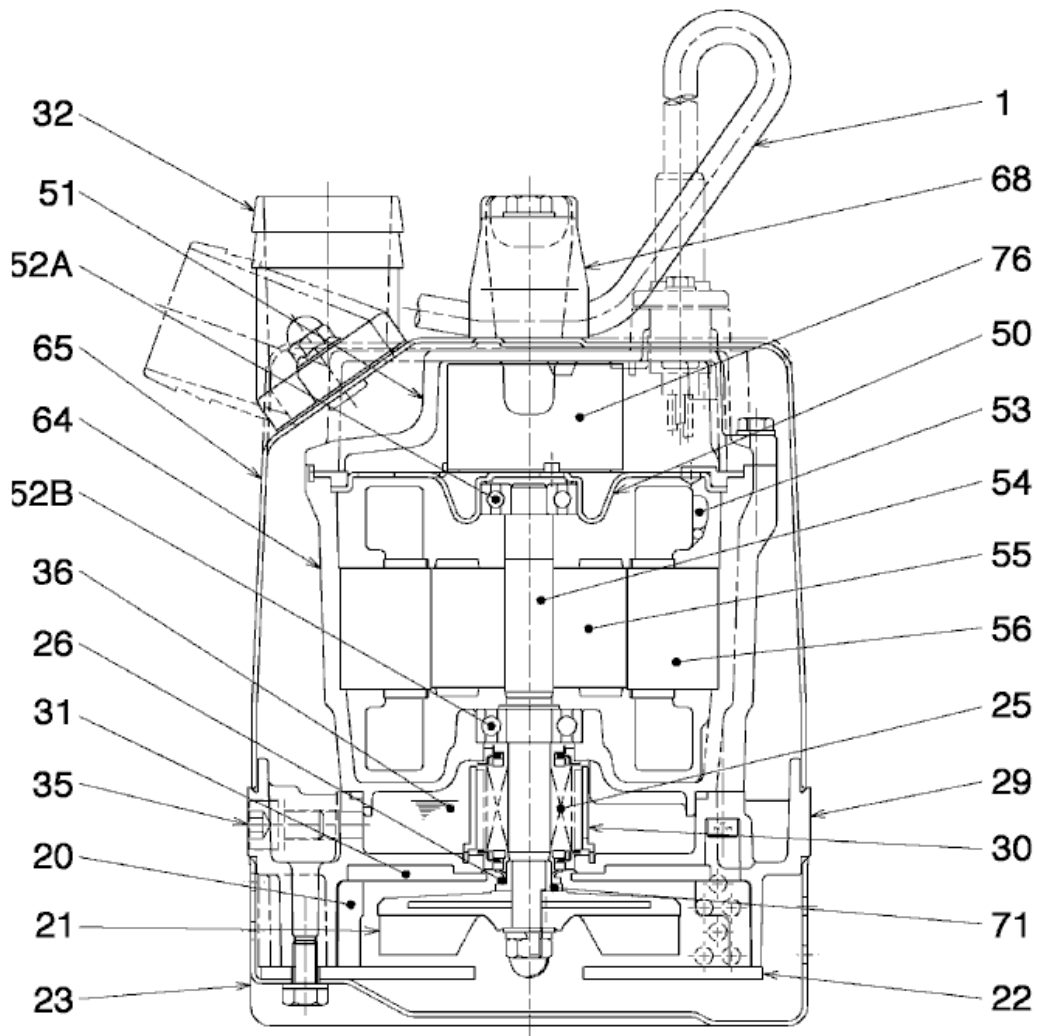


Dimensions LB-480-51/52



LB-480-51/52

Sectional drawing LB-480-51/52



LB-480-51/52

No.	Description	Remark	No.	Description	Remark
1	Cable	H07RN-F	52B	Lower bearing	6202ZZC3
20	Pump casing	Poly propylene / polyethylene	53	Miniature protector	.
21	Impeller	Urethane rubber	54	Shaft	SUS403 (EN-X6Cr13)
22	Suction cover	Steel plate	55	Rotor	.
23	Strainer	Steel plate	56	Stator	.
25	Mechanical seal	W-14VL	64	Motor Frame	Aluminium die casting
26	V-ring	Butadiene-acrylonitrile-rubber	65	Outer Cover	Steel plate
29	Oil casing	Aluminium alloy casting	68	Handle	Steelplate and rubber
30	Oil distributor	Plastic	71	Shaft protection sleeve	SUS304 (EN-X5CrNi18-10)
31	Attrition plate	Poly propylene / polyethylene	76	Condenser	.
32	Discharge coupling	Aluminium die casting			
35	Oil screw	SUS304 (EN-X5CrNi18-10)			
36	Lubricant	Turbine oil (ISO VG32)			
50	Motor cover	Steel plate			
51	Main cover	Aluminium die casting			
52A	Upper bearing	6201ZZC3			