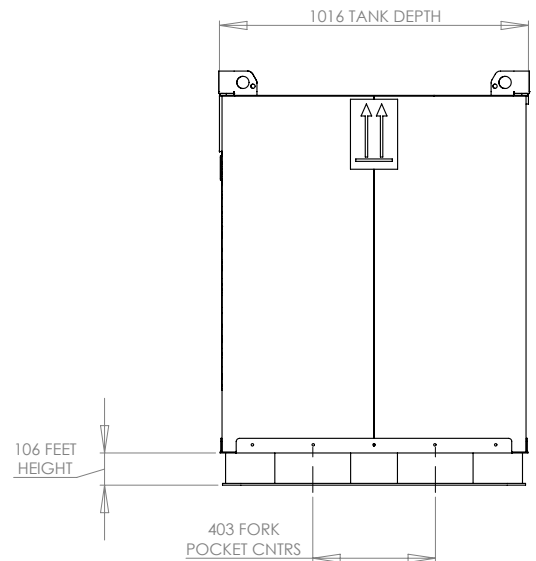


[Product Description]

900 litre (197 gallon) static bunded fuel tank. Ideal for small plant and machinery, groundcare equipment, generators and traffic control equipment. The Fuelcube 900L is designed and manufactured in accordance with current environmental regulations, has a capacity of 900 litres (197 gallons) and is constructed from steel throughout. Features include a lockable door that opens with a gas strut, a high-flow hand operated pump and 3m hose with manual trigger. The Fuelcube is stackable and can be lifted full of fuel using the lifting eyes. Generator flow and return pipes are fitted as standard.



[Features]

- ▶ 900 Litre (197 gallon) capacity
- ▶ 110% bunded in accordance with environmental regulations
- ▶ UN Approved for transporting diesel and gas oil on the highway
- ▶ **NEW FOR 2018** Increased steel thickness for even better durability & security
- ▶ Compact & stackable design
- ▶ Forklift pockets and 4 x galvanised lifting eyes for easy lifting and moving
- ▶ Pressure tested inner tank
- ▶ Lockable lid housing tank connections and dispensing equipment
- ▶ Concealed hinges for added security.
- ▶ Lid features gas strut opening for easy access
- ▶ **NEW FOR 2018** Rotary tank contents gauge
- ▶ Available with a choice of hand operated, 12V & 230V fuel dispensing packages
- ▶ Shot blasted to SA 2.5 and painted in 2-pack polyurethane for tough, durable finish

[Technical Information]

Depth: 1016mm
Width: 1216mm
Height: 1362mm
Capacity: 900 litres (197 gallons)
Weight (empty): 440kg
Weight (full): 1205kg
Filler neck: 2" & 3" BSP
Connections: 1/2" generator feed & return
 1/2" BSP bund drain point
 1" suction breather
 1/4" BSP pressure relief valve

[Inner tank connections]

