

# **SPARE PARTS LIST**

**f o r**

*Infrared oil heater*

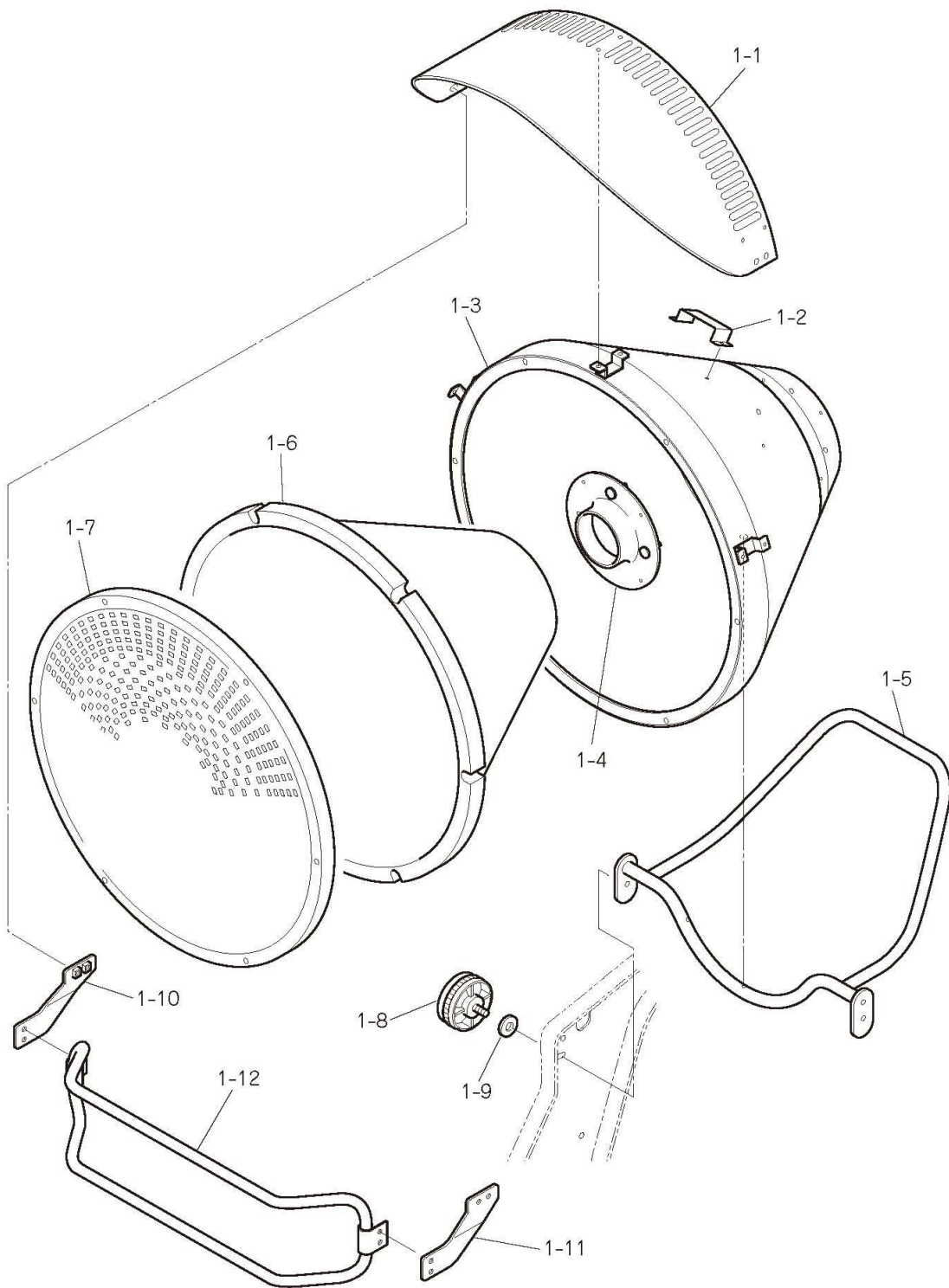
*Model*

**VAL6**

Type

◆ EPX1 for 230V 50Hz

***Shizuoka Seiki Co., Ltd.***

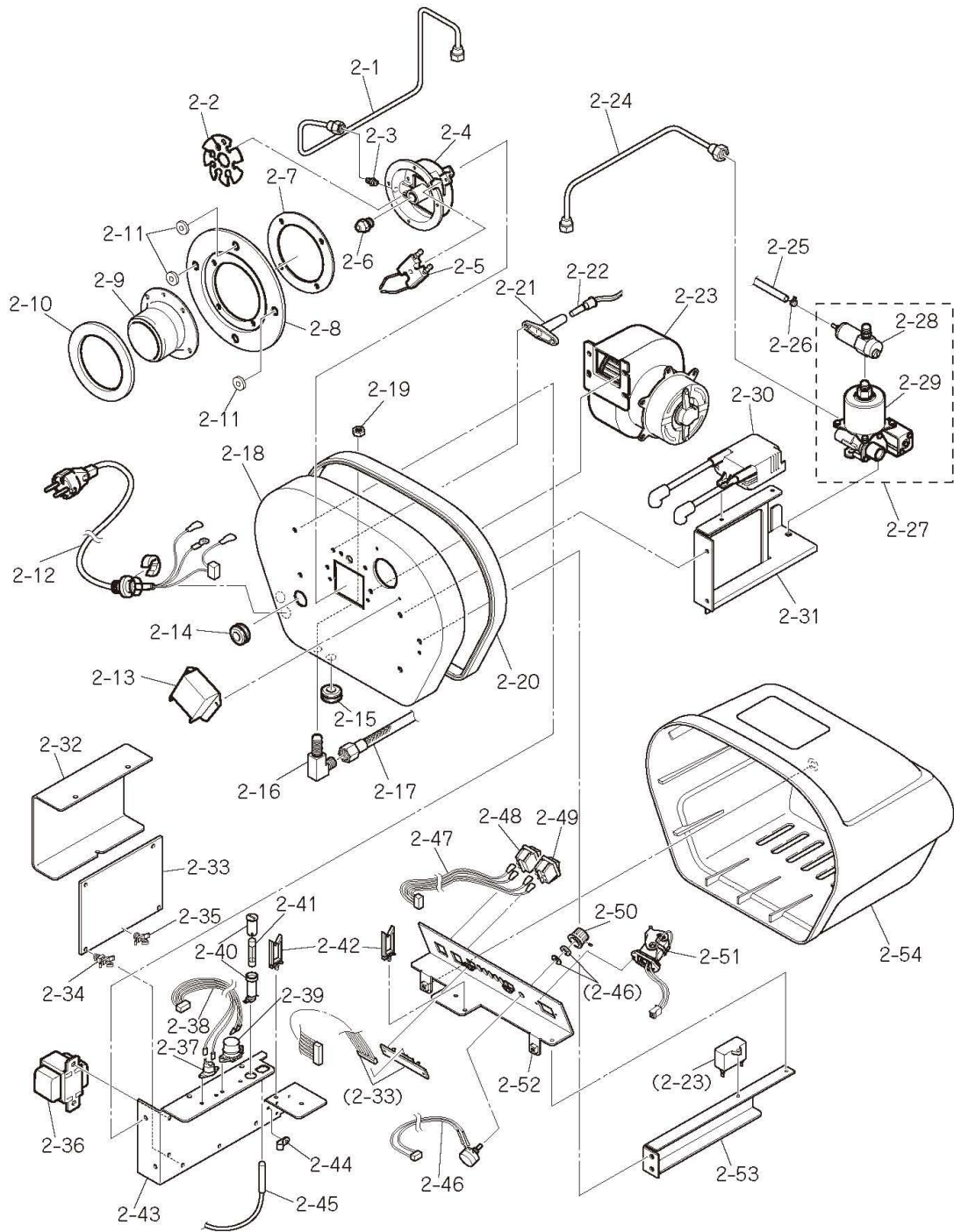


VAL6 EPX\_Combustion Section 09.03.26

## Shizuoka Seiki Co.,Ltd.

Part No.	PART NAME < COMBUSTION SECTION >	CODE NO.	Q'TY /SET	EPX1	REMARKS	Optimum Volume
1-1	Visor	50335203003	1	●		
1-2	Caution Label Plate	50335103006	1	●	with Label (50300203002)	
1-3	Conical Housing	50335103004	1	N/A	changed to 50335180001	
	Conical Housing Assembly	50335180001	1	●	include 1-2	
1-4	Burner Fitting Piece	50335203007	1	●		
1-5	Support Pipe	50335103002	1	●		
1-6	Conical Insulator	50335203002	1	●		4pcs(66*67*72)
1-7	Radiation Disk	50335203001	1	●		10pcs(67*67*46)
1-8	Knob Bolt	50229202074	1	●		
1-9	Gasket	213005002-9	1	N/A	replace to 50239203024	
		50239203024	1	●		
1-10	Protector Bracket (L)	50335203006	1	●		
1-11	Protector Bracket (R)	50335203005	1	●		
1-12	Protector Assembly	50335103005	1	●		

210235



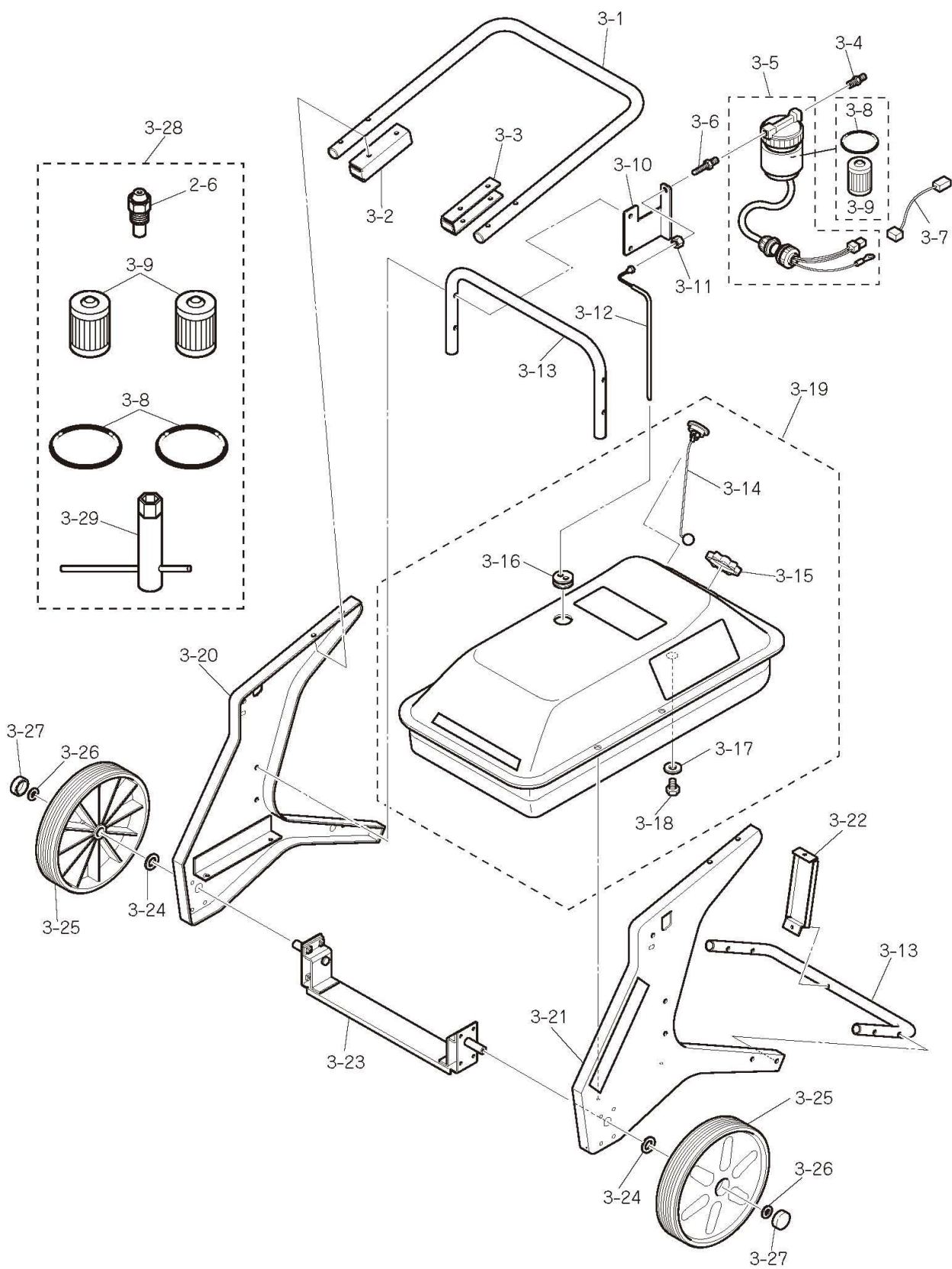
**VAL6 EPX\_Burner Section 09.03.26**

# Shizuoka Seiki Co.,Ltd.

Part No.	PART NAME <BURNER SECTION>	CODE NO.	Q'TY /SET	EPX1	REMARKS	Optimum Volume
2-1	Fuel Outlet Line	50335201007	1	●		
2-2	Whirl Vane	50335201012	1	●		
2-3	Nozzle Nipple	50217202052	1	●		
2-4	Diffuser	50284202007	1	●		
2-5	Electrode	50303201010	1	●		
2-6	Nozzle	50335201038	1	●	0.75G/60°H	
2-7	Diffuser Packing	50298201020	1	●		
2-8	Burner Flange	50300201008	1	●		
2-9	Burner Cone	50300201017	1	●		
2-10	Burner Packing	50335201036	1	●		
2-11	Spacer Ring	50335201037	3	●		
2-12	Power Cable	50335201021	1	●		
2-13	Electrode Cover	50298201008	1	●		
2-14	Pump Nozzle Grommet	21022003-25	1	●		
2-15	Φ16 Grommet	50335201029	1	●		
2-16	Return Line Nipple	21300503-60	1	N/A	Discontinued from 2015	
		50213201007	1	●	Replacement for 21300503-60	
2-17	Fuel Hose	50220203003	1	●	L=450	
2-18	Burner Base	50335201001	1	●		
2-19	Nipple Fitting Nut	21300503-58	1	●	same as 3-11	
2-20	Base Packing	50335201018	1	●		
2-21	Flame Monitor Holder	50262202029	1	●		
2-22	Flame Monitor Complete	50335101009	1	●	w/o flame holder	
2-23	Fan Motor	50335201015	1	●		
2-24	Fuel Intake Line	50335201006	1	●		
2-25	Return Hose	50335201008	1	●		
2-26	Hose Clamp	50319202016	1	●		
2-27	Fuel Pump with air vent valve	50335201040	1	●		12pcs(48*35*22)
2-28	Air Vent Valve	50335201041	1	●		
2-29	Fuel Pump without air vent valve	50335201042	1	●		12pcs(48*35*16)
2-30	Ignition Transformer	50335201016	1	●		20pcs(55*42*18)
2-31	Pump Transformer Bracket	50335201002	1	●		
2-32	Burner Control Cover	50335101010	1	●	label:50335201017+50291201019	
2-33	Burner Control Board	50335201039	1	●		
2-34	Control Board Support	50229201037	4	●		
2-35	Control Board Spacer	50271202023	2	●		
2-36	Step Down Transformer	50335201033	1	●		
2-37	Overheat Sensor	50288202001	1	●		

## Shizuoka Seiki Co.,Ltd.

Part No.	PART NAME <BURNER SECTION>	CODE NO.	Q'TY /SET	EPX1		REMARKS	Optimum Volume
2-38	Overheat Sensor Cable	50335201028	1	●			
2-39	Tip-Over Switch	50298202015	1	●			
2-40	Fuse Holder	50291201004	1	●			
2-41	Fuse	50291201006	1	●			
2-42	Wire Binding	50810201055	2	●		till 2015	
		50335201048	2	●		from 2016 Z01 (WS-4)	
2-43	Control Board Chassis	50335201003	1	●			
2-44	Nylon Clamp	50304202022	1	●			
2-45	Temperature Sensor	50304202021	1	●			
2-46	Internal Thermostat Cable	50335101007	1	●			
2-47	Operation Switch Cable	50335201026	1	●			
2-48	Change-Over Switch	50288204014	1	N/A		till H-02 change to 50335201045	
		50335201045	1	●		from G-01	
2-49	Operation Switch	50288204013	1	N/A		till H-02 change to 50335201044	
		50335201044	1	●		from G-01	
2-50	Internal Thermostat Knob	50335201025	1	●			
2-51	External Thermostat Connector	50335101008	1	●			
2-52	Operating Panel	50335101011	1	●			
2-53	Operating Bracket	50335201010	1	●			
2-54	Burner Cover	50335101002	1	●			



VAL6 EPX\_Tank Section 09.03.26

## Shizuoka Seiki Co.,Ltd.

Part No.	PART NAME < TANK SECTION >	CODE NO.	Q'TY /SET	EPX1	REMARKS	Optimum Volume
3-1	Handle	50335202012	1	●	till 2014 B lot	
3-1A		50335202030		●	from 2015 A-01	
3-2	Handle Stay Bracket(L)	50335202019	1	●		
3-3	Handle Stay Bracket(R)	50335202020	1	●	till 2014 B lot	
3-3A		50335202031		●	from 2015 A-01	
3-4	Filter Hose Nipple	22031001-43	1	●		
3-5	Strainer Heater Assembly (with Body)	50335102007	1	●		
3-6	Filter Nipple	50306201010	1	●		
3-7	Strainer Heater Relay Cable	50335201030	1	N/A	till G-02 (2009)	
		50335201046	1	●	from G-03	
3-8	O-Ring	21021003-13	1	●		
3-9	Filter Element	21021003-10	1	●		600pcs(55*40*22)
3-10	Filter Fitting Bracket	50335202014	1	●		
3-11	Nipple Fitting Nut	21300503-58	1	●	same as 2-19	
3-12	Suction Pipe Assembly	50335102011	1	●		
3-13	Support Pipe	50335202013	2	●		
3-14	Fuel Gauge	50335202021	1	●		
3-15	Tank Cap	50335102008	1	●		
3-16	Suction Return Packing	50317203013	1	●		
3-17	Drain Packing	50231204021	1	●		
3-18	Drain Bolt	50231204020	1	●		
3-19	Fuel Tank Assembly	50335102002	1	●	sticker (50335202026)	
3-20	Side Panel(L)	50335102012	1	●		
3-21	Side Panel(R)	50335102013	1	●		
3-22	Tank Support Bracket	50335202011	1	●		
3-23	Wheel Bearing Assembly	50335102006	1	●		
3-24	Wheel Spacer	50335202028	2	●		
3-25	Wheel	50335202007	2	●		
3-26	Wheel Washer	50335202022	2	●		
3-27	Shaft Cap	50335202010	2	●		
3-28	Repair Set	50335150002	1	●		
3-29	Nozzle Wrench	21022003-68	1	●		

210235

Option	Shielding Mat(10Pcs Pack)	50300205001				
Option	Strainer Heater	50335180002	1	●		